

Inhoudsopgave

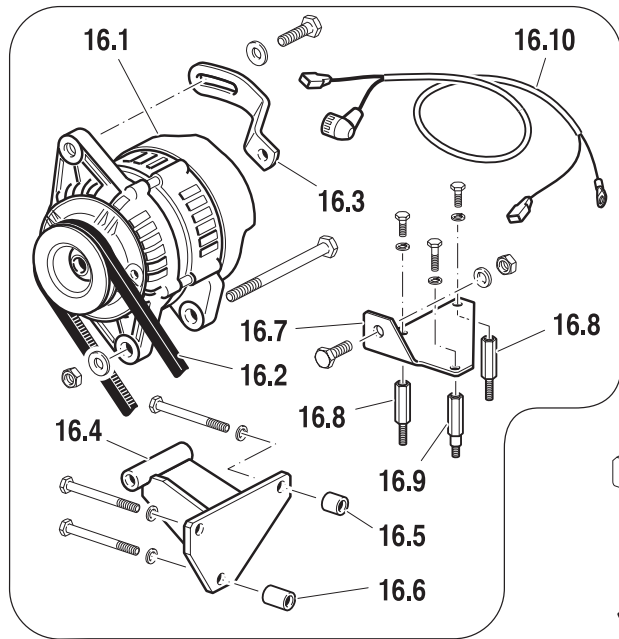
Achteras Aandrijving	74
Achteras Huis	48
Cabine Frame	178
Centrale As Vooras Aandrijving	54
Dashbord	34
Diepte Regeling	122
Differentieel Slot	78
Driepunt	162
Drijfwerk Huizen & Centrale As	46
Elektro Hef	100
Elektro Midden en Achter	96
Elektro Voor & Accu	94
Front Gewicht & Beugel	164
Front PTO	86
Front PTO Schakeling	88
Gaskabels Hand & Voetgas	12
Hef Deksel & Cilinders	104
Hydrauliek Aanzuig Systeem	126
Hydrauliek Achter	114
Hydrauliek 2 Hef Systeem	134
Hydrauliek Stuur	102
Hydrauliek Systeem	106
Index	206
Koppeling	60
Koppelings Pedaal	62
Luchtfilter	16
Motor 40 CV	6
Motor 40 CV met Cabine	8
Motorkap	20
PTO	80
PTO Schakeling	82
PTO Tandwielen	84
Radiator & Slangen	14
Remmen	90
Rempedalen	92
Rolbeugel	28
Schakelpoken & Gaffels	72
Spatschermen & Voetsteunen	22
Stickers	32
Tandwielen	64
Tank	18
Trekhaak	166
Vooras Aandrijving	50
Vooras Huis	44

Wielen	170
Wiel Eindvertraging	76
Zittingen	36
Zwaailamp	190

Code	Description	Notes
A.01.02_1_19967	ENGINE	Version: 40CV
A.01.04_0_20042	ENGINE (TRACTORS WITH CAB)	Version: 40CV
A.02.01_1_20083	ACCELERATOR CONTROLS	Version: 30-40CV
A.03.01_1_20096	RADIATOR	Version: 30-40CV
A.04.01_1_20114	AIR FILTER	Version: 30-40CV
A.05.01_1_20132	FUEL TANK	Version: 30-40CV
B.01.01_1_20151	FRONT SUPPORT E BONNET	Version: 30-40CV
B.02.01_1_20176	MUD-GUARDS AND FLOOR BOARDS (FIBERGLASS RESIN MUD-GUARDS)	Version: 30-40CV
B.02.01_2_20209	MUD-GUARDS AND FLOOR BOARDS (IRON MUD-GUARDS)	Version: 30-40CV
B.03.01_1_20251	ROLLBARS	Version: 30-40CV
B.04.01_1_20291	PLATES AND STICKERS	Version: 30-40CV
B.05.01_1_20315	DASHBOARD	Version: 30-40CV
B.06.01_1_20345	SEAT "SEAT"	Version: 30-40CV
B.06.02_1_20361	SEAT "MT"	Version: 30-40CV
B.06.03_1_20374	SEAT "KAB"	Version: 30-40CV
B.07.01_1_20387	SEAT CONNECTION	Version: 30-40CV
C.01.01_2_22204	FRONT AXLE	Version: 30-40CV
C.02.01_1_20434	INTERMEDIATE SECTION	Version: 30-40CV
C.03.01_1_20449	REAR AXLE	Version: 30-40CV
D.01.01_2_22170	FRONT TRANSMISSION	Version: 30-40CV
D.02.01_1_20500	TRANSMISSION TO THE FRONT WHEEL HUB	Version: 30-40CV
D.03.01_1_20524	FRONT DRIVE	Version: 30-40CV
D.03.02_1_20559	FRONT DRIVE (FRONT P.T.O. VERSION)	Version: 30-40CV
D.04.01_1_20595	CLUTCH	Version: 30-40CV
D.05.01_1_20621	CLUTCH CONTROLS	Version: 30-40CV
D.06.01_2_75280	INPUT SHAFT AND GEARS (SYNCHRONIZED REVERSER)	Version: 30-40CV
D.07.01_1_20675	RANGES DRIVING SHAFT AND GEARS	Version: 30-40CV
D.08.01_2_75308	INGRANAGGI ALBERO SECONDARIO (INVERSO SINCRO)	Version: 30-40CV
D.09.01_2_75346	GEAR CONTROLS (SYNCHR. REVERSE GEAR)	Version: 30-40CV
D.10.01_1_20762	REAR TRANSMISSION	Version: 30-40CV
D.11.01_1_20782	EPICYCLIC REDUCTION GEAR	Version: 30-40CV
D.12.01_1_20808	DIFFERENTIAL GEAR LOCK	Version: 30-40CV
D.13.01_1_20823	POWER TAKE-OFF	Version: 30-40CV
D.14.01_1_20843	POWER TAKE-OFF CONTROLS	Version: 30-40CV

Code	Description	Notes
D.15.01_1_20855	UNDER BELLY P.T.O.	Version: 30-40CV
D.16.01_1_20885	FRONT P.T.O.	Version: 30-40CV
D.17.01_1_20897	UNDER BELLY P.T.O. / FRONT P.T.O. CONTROLS	Version: 30-40CV
D.18.01_1_20914	BRAKES	Version: 30-40CV
D.19.01_1_20925	BRAKES CONTROL UNITS	Version: 30-40CV
E.01.02_1_20987	BATTERY AND FRONT ELECTRICAL SYSTEM	Version: 30-40CV
E.02.02_1_21030	CENTRAL AND REAR ELECTRICAL SYSTEM	Version: 30-40CV
E.03.01_0_21069	ELECTRONIC CONTROL LIFT (ELECTRICAL SYSTEM)	Version: 30-40CV
F.01.01_1_21091	STEERING HYDRAULIQUE SYSTEM	Version: 30-40CV
L.01.02_0_21134	HYDRAULIC LIFT (2 LIFTING JACKS VERSION)	Version: 30-40CV
L.03.01_1_21307	HYDRAULIC SYSTEM (2 LIFTING JACKS VERSION)	Version: 30-40CV
L.03.02_0_21373	HYDRAULIC SYSTEM WITH CAB (2 LIFTING JACKS)	Version: 30-40CV
L.04.01_0_21436	1 ADDITIONAL CONTROL VALVE	Version: 30-40CV
L.05.01_0_21453	2 OR 3 ADITONAL CONTROL VALVES	Version: 30-40CV
L.06.01_0_21487	2 OR 3 ADITONAL CONTROL VALVES WITH (CAB VERSION)	Version: 30-40CV
M.01.01_1_21524	POSITION AND DRAFT CONTROL LIFT	Version: 30-40CV
M.02.01_1_21578	HYDRAULIC SYSTEM (OIL SUCTION)	Version: 30-40CV
M.02.02_1_21619	HYDRAULIC SYSTEM (OIL SUCTION) WITH CAB	Version: 30-40CV
M.03.01_1_21663	LIFT WITH 2 D.E. CONTROL VALVES	Version: 30-40CV
M.03.02_1_21720	LIFT WITH 2 D.E. CONTROL VALVES (CAB VERSION)	Version: 30-40CV
N.01.01_0_21778	ELECTRONIC CONTROL LIFT (1 LIFTING JACK VERSION)	Version: 30-40CV
N.01.02_0_21821	ELECTRONIC CONTROL LIFT (2 LIFTING JACKS VERSION)	Version: 30-40CV
N.02.01_0_21864	HYDRAULIC SYSTEM (1 LIFTING JACK VERSION)	Version: 30-40CV
N.02.02_0_21923	2nd LIFTING HYDRAULIC JACK VERSION (ELECTRONIC CONTROL LIFT)	Version: 30-40CV
N.03.01_0_21943	HYDRAULIC SYSTEM (2 LIFTING JACKS VERSION)	Version: 30-40CV
N.04.01_0_22004	ADDITIONAL CONTROL VALVES	Version: 30-40CV
T.01.01_0_22023	IMPLEMENTS ATTACHMENT	Version: 30-40CV
T.03.01_0_22054	FRONT COUNTERWEIGHTS	Version: 30-40CV
T.04.01_0_22065	HOOK "EEC" TYPE APPROVED	Version: 30-40CV
T.04.02_0_22073	DRAWBAR "A" CAT.	Version: 30-40CV
W.01.01_0_22083	WHEELS	Version: 30-40CV
W.02.01_0_22113	WHEELS (280/70-18)	Version: 30-40CV
W.03.01_0_22136	WHEELS (300/70-20 + 7.00-12)	Version: 30-40CV
W.04.01_0_22155	WHEELS (36x13.50-15 + 25x8.50-14)	Version: 30-40CV

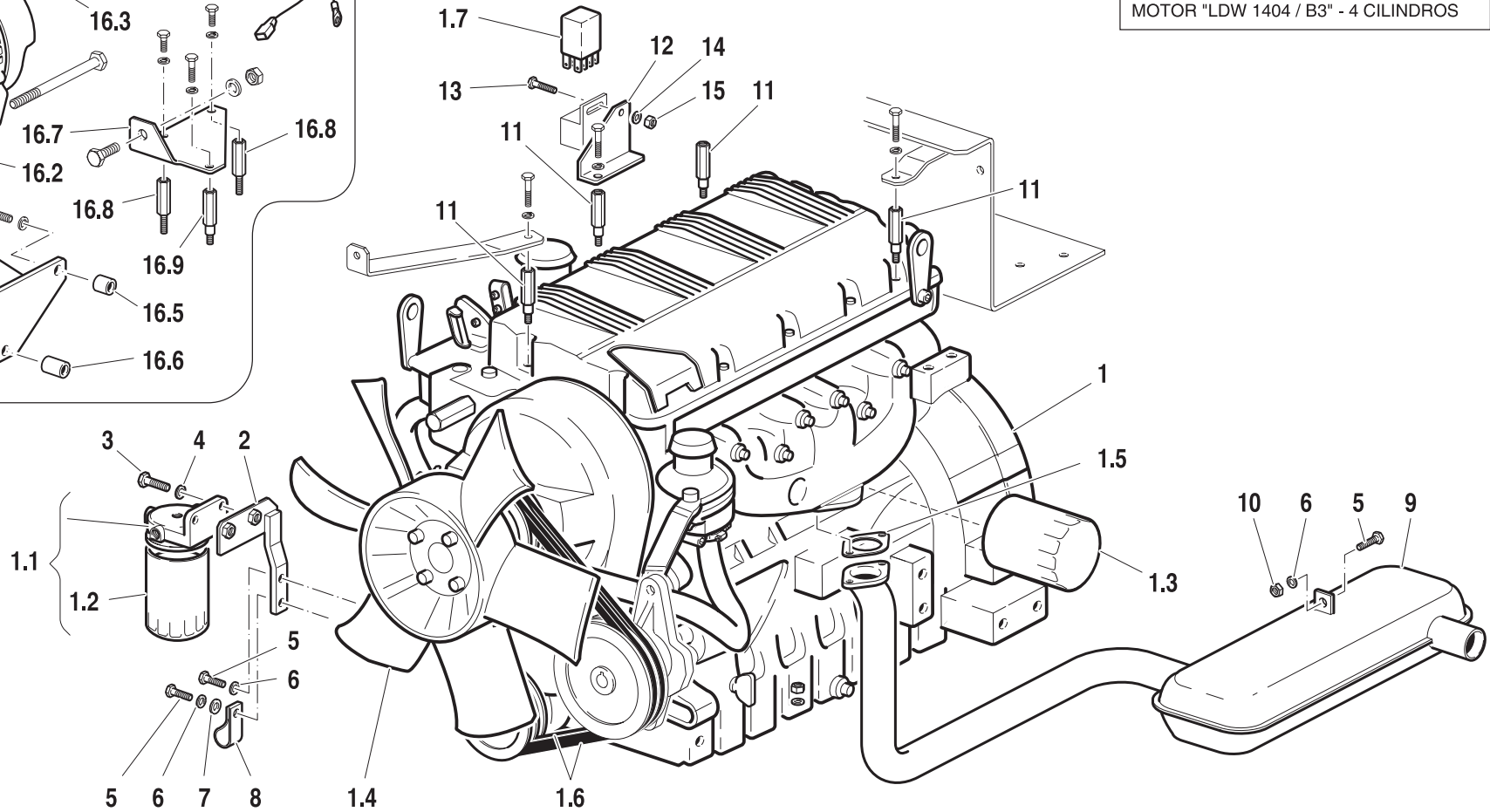
Code	Description	Notes
Y.01.01_0_46844	FRAME "MAUSER"	Version: 30-40CV
Y.02.01_0_46882	FRONT GLASS / WINDSCREENWASHER "MAUSER"	Version: 30-40CV
Y.03.01_0_46904	DOOR / SIDE WINDOW "MAUSER"	Version: 30-40CV
Y.04.01_0_46943	REAR GLASS "MAUSER"	Version: 30-40CV
Y.05.01_0_46961	ROTATING LIGHT "MAUSER"	Version: 30-40CV
Y.06.01_0_46984	COVERING "MAUSER"	Version: 30-40CV
Y.07.01_0_46999	ROOF INSERT "MAUSER"	Version: 30-40CV
Y.08.01_0_47043	ADDITIONAL LIGHTING "MAUSER"	Version: 30-40CV
Z.01.01_0_22239	FRAME "ZAPPATOR"	Version: 30-40CV
Z.02.01_0_22294	TRANSMISSION "ZAPPATOR"	Version: 30-40CV
Z.03.01_0_22336	HYDRAULIC SYSTEM "ZAPPATOR"	Version: 30-40CV
Z.04.01_0_22351	OVERGEAR (ZAPPATOR)	Version: 30-40CV



- 16**
- KIT ALTERNATORE PER CABINA
 - CAB ALTERNATOR KIT
 - KIT ALTERNATEUR POUR CABINE
 - KABINENALTERNATORENSATZ
 - KIT ALTERNADOR CABINA

LOMBARDINI

MOTORE "LDW 1404 / B3" - 4 CILINDRI
 "LDW 1404 / B3" ENGINE - 4 CYLINDERS
 MOTEUR "LDW 1404 / B3" - 4 CYLINDRES
 "LDW 1404 / B3" MOTOR - 4 ZYLINDERN
 MOTOR "LDW 1404 / B3" - 4 CILINDROS



Pos.	Code	Q.ty	Description	Notes
1	41N90003	1	MOT LOMB LDW1404/B3 K2A48D1 *	
1.1	59900192	1	FUEL FILTER	
1.2	59900193	1	FILTER INSERT	
1.3	59900194	1	OIL FILTER	
1.4	58173442	1	FAN	
1.5	F0824812000	1	GASKET	
1.6	59900222	1	ENGINE BELT	
1.7	F0834378001	1	CENTRAL PROCESSING UNIT	
2	59075244	1	FILTER SUPPORT	
3	31112219	1	SCREW TE M10X25 UNI 5739	
4	31411105	1	WASHER 10,5x21	
5	31112150	1	SCREW TE M8X20 UNI 5739 8G	
6	F0843643060	1	WASHER 8	
7	31411084	1	WASHER 8,4x17	
8	58073300	1	HOSE CLIP	
9	58173617	1	EXHAUST SILENCER	
10	31211080	1	NUT M8	
11	56173204	1	SMALL COLUMN	
12	56173065	1	SUPPORT	
13	F0861929060	1	SCREW M5X12 UNI 5739	
14	F0843561000	1	WASHER 5	
15	F0814525000	1	NUT M5	
16	59978052	1	KIT	
16.10	58075963	1	CABLE	
16.1	58175981	1	ALTERNATOR	
16.2	58175982	1	BELT	
16.3	56175960	1	TENSION ROLLER	
16.4	59075955	1	SUPPORT	
16.5	56175957	1	SPACER	
16.6	56175956	1	SPACER	
16.7	56175958	1	SUPPORT	
16.8	56173204	1	SMALL COLUMN	
16.9	56175959	1	SMALL COLUMN	

SERIAL

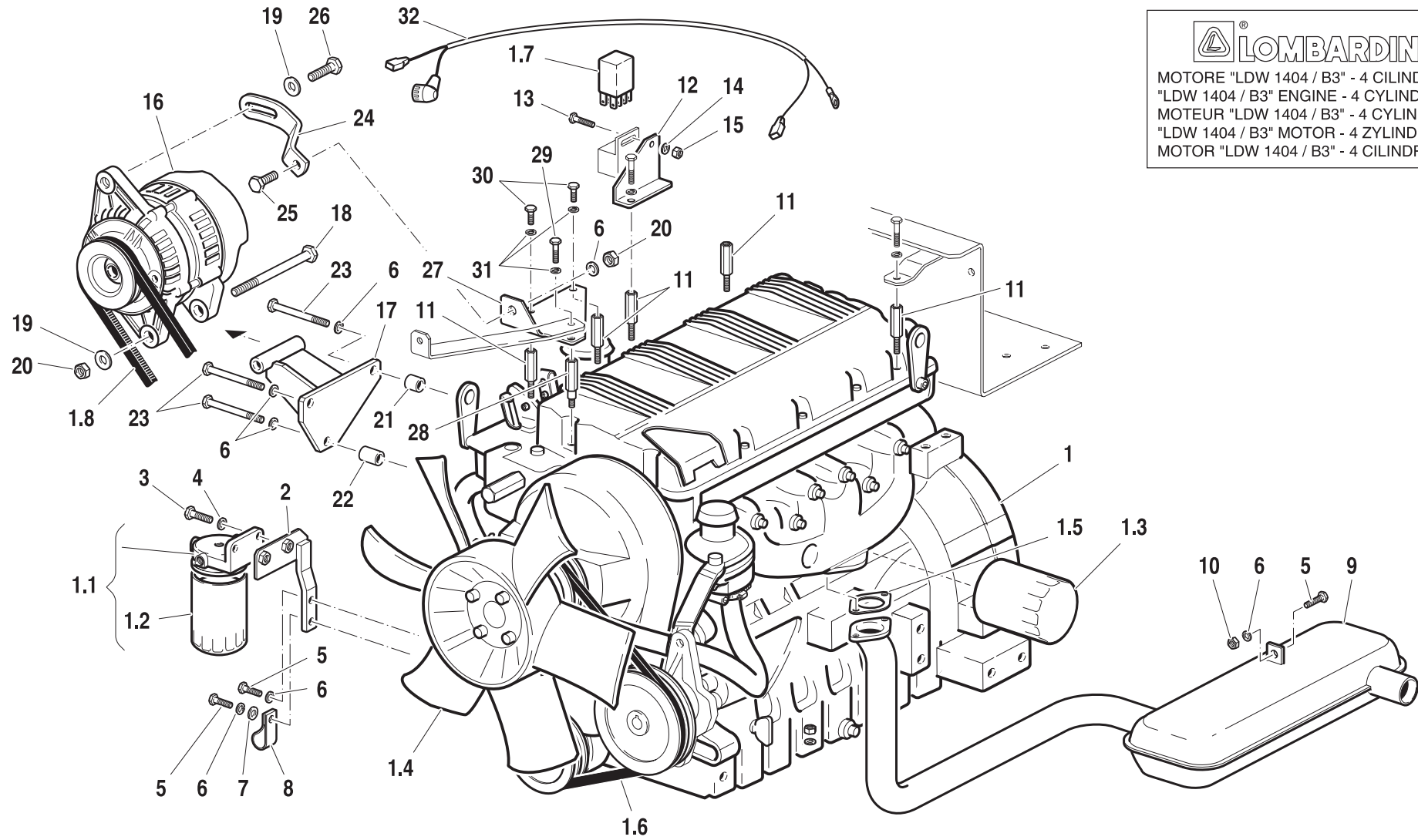
ENGINE
Version: 40CV

CODE REV

A.01.02_1_19967



MOTORE "LDW 1404 / B3" - 4 CILINDRI
 "LDW 1404 / B3" ENGINE - 4 CYLINDERS
 MOTEUR "LDW 1404 / B3" - 4 CYLINDRES
 "LDW 1404 / B3" MOTOR - 4 ZYLINDERN
 MOTOR "LDW 1404 / B3" - 4 CILINDROS



Pos.	Code	Q.ty	Description	Notes
1	41N91003	1	MOT LOMB LDW1404/B3 K2A45D0 *	
1.1	59900192	1	FUEL FILTER	
1.2	59900193	1	FILTER INSERT	
1.3	59900194	1	OIL FILTER	
1.4	58173442	1	FAN	
1.5	F0824812000	1	GASKET	
1.6	59900222	1	ENGINE BELT	
1.7	F0834378001	1	CENTRAL PROCESSING UNIT	
1.8	58175982	1	BELT	
2	59075244	1	FILTER SUPPORT	
3	31112219	1	SCREW TE M10X25 UNI 5739	
4	31411105	1	WASHER 10,5x21	
5	31112150	1	SCREW TE M8X20 UNI 5739 8G	
6	F0843643060	1	WASHER 8	
7	31411084	1	WASHER 8,4x17	
8	58073300	1	HOSE CLIP	
9	58173617	1	EXHAUST SILENCER	
10	31211080	1	NUT M8	
11	56173204	1	SMALL COLUMN	
12	56173065	1	SUPPORT	
13	F0861929060	1	SCREW M5X12 UNI 5739	
14	F0843561000	1	WASHER 5	
15	F0814525000	1	NUT M5	
16	58175981	1	ALTERNATOR	
17	59075955	1	SUPPORT	
18	31112174	1	SCREW TE M8X110 UNI 5737 8.8	
19	31421083	1	WASHER	
20	F0814574000	1	NUT M8	
21	56175957	1	SPACER	
22	56175956	1	SPACER	
23	31112159	1	SCREW TE M8X65 UNI 5737 8G	
24	56175960	1	TENSION ROLLER	
25	31112147	1	SCREW TE M8X18 UNI 5739 8G	
26	31112146	1	SCREW TE M8X22 UNI 5739 8G	

SERIAL

ENGINE (TRACTORS WITH CAB)

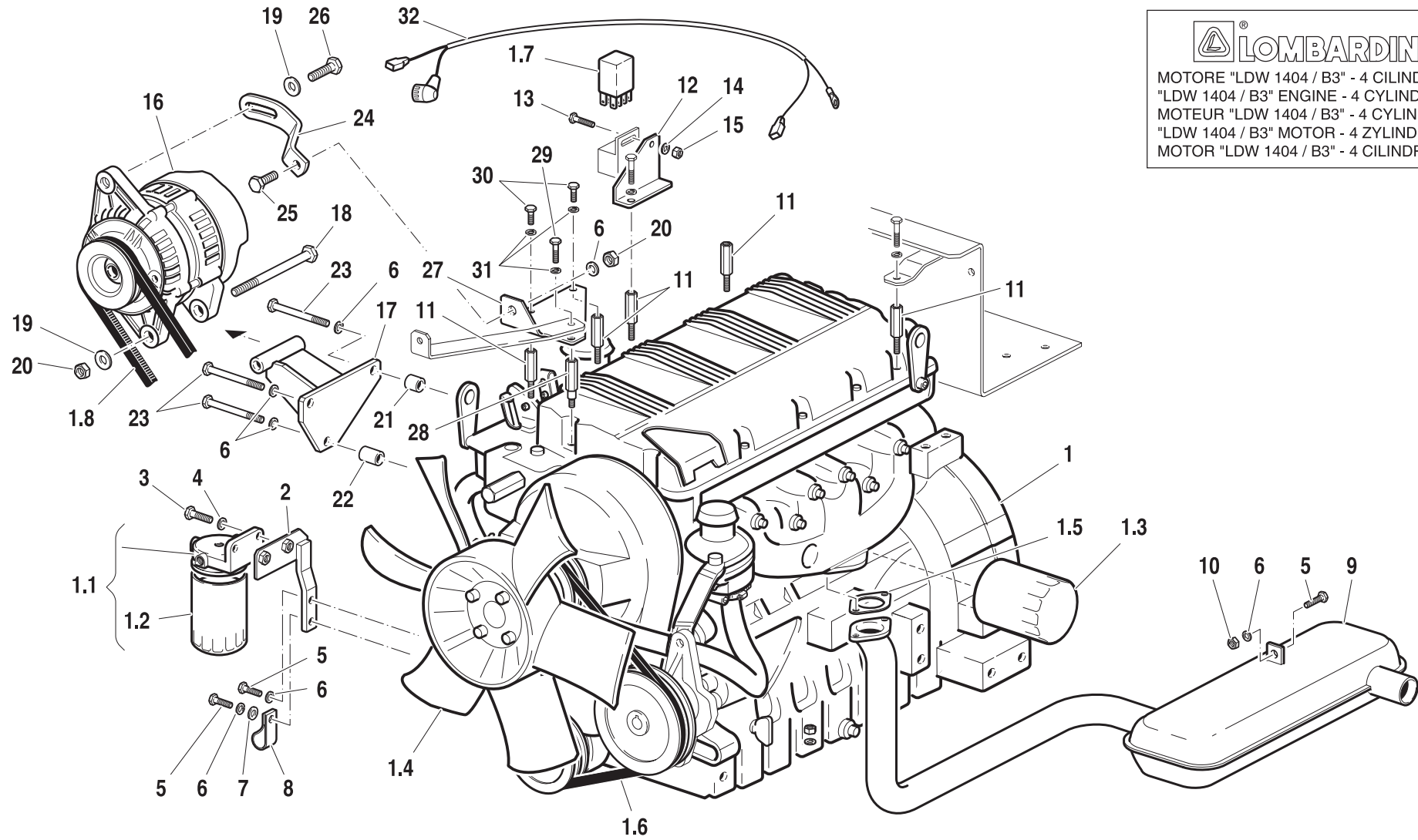
Version: 40CV

CODE REV

A.01.04_0_20042

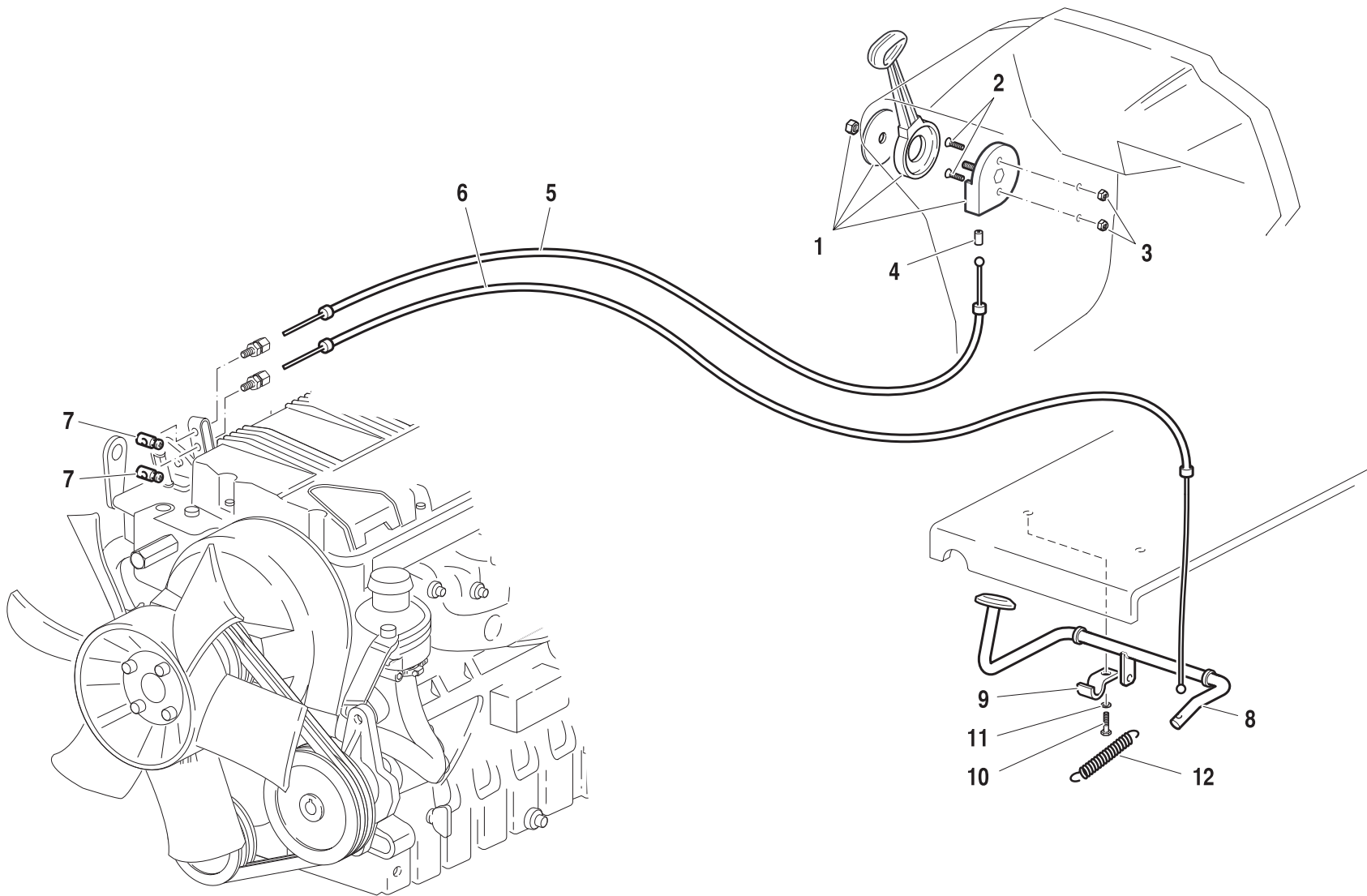


MOTORE "LDW 1404 / B3" - 4 CILINDRI
 "LDW 1404 / B3" ENGINE - 4 CYLINDERS
 MOTEUR "LDW 1404 / B3" - 4 CYLINDRES
 "LDW 1404 / B3" MOTOR - 4 ZYLINDERN
 MOTOR "LDW 1404 / B3" - 4 CILINDROS



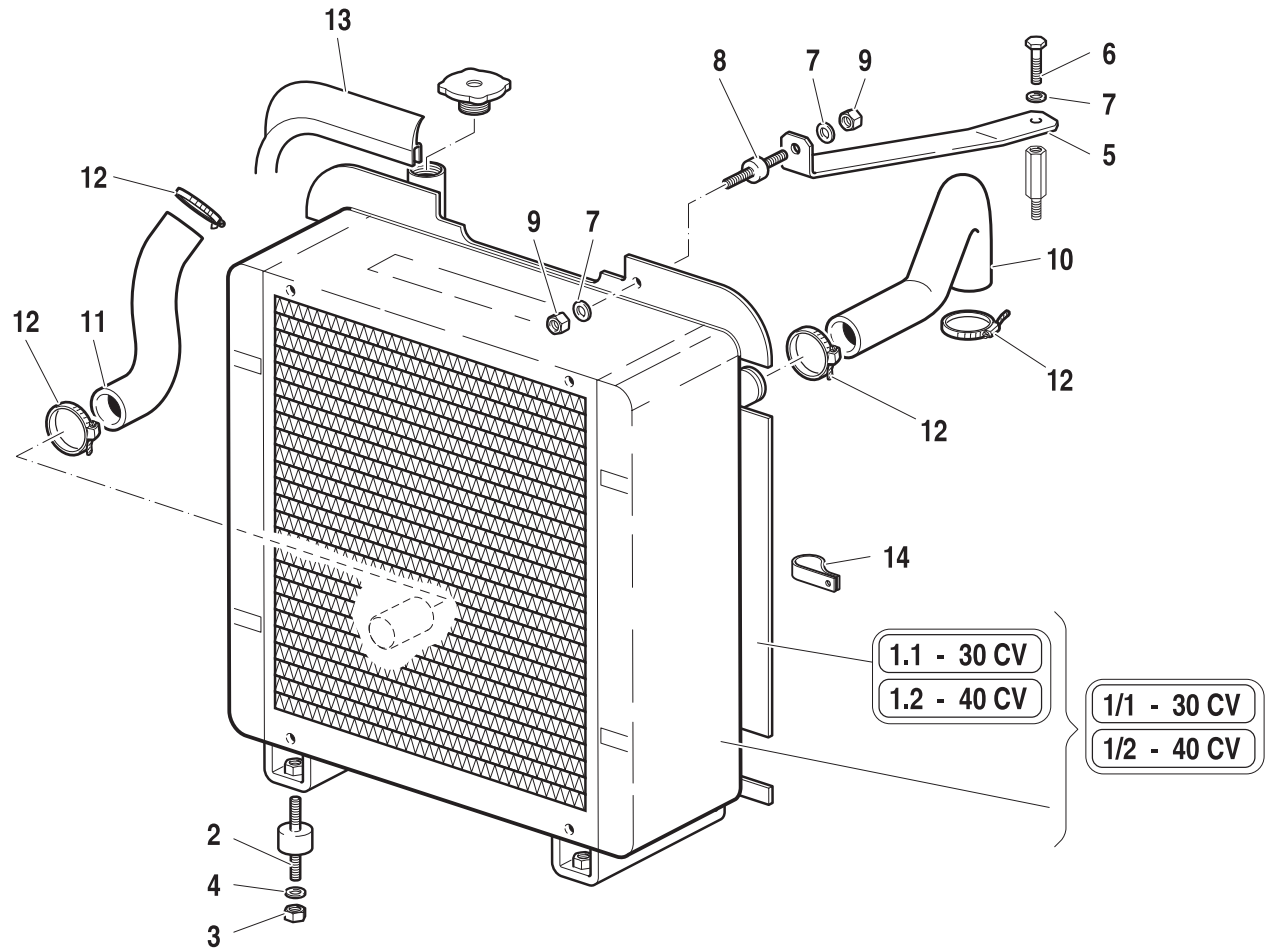
Pos.	Code	Q.ty	Description	Notes
27	56175958	1	SUPPORT	
28	56175959	1	SMALL COLUMN	
29	31112087	1	SCREW TE M6X22 UNI 5739 8G	
30	31112090	1	SCREW TE M6X16 UNI 5739 8G	
31	F0843570000	1	WASHER 6	
32	58075962	1	CABLE	

ACCELERATOR CONTROLS



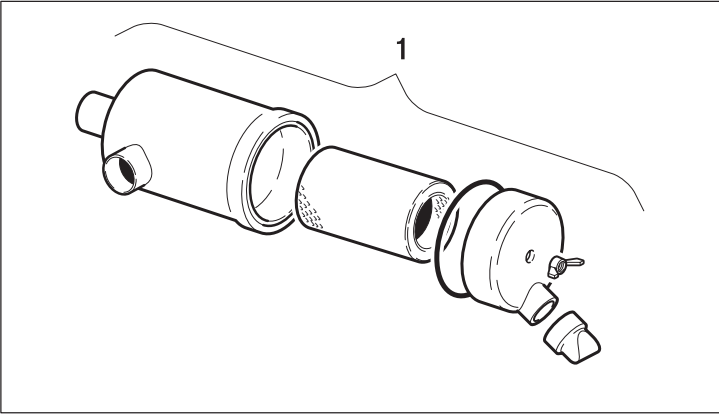
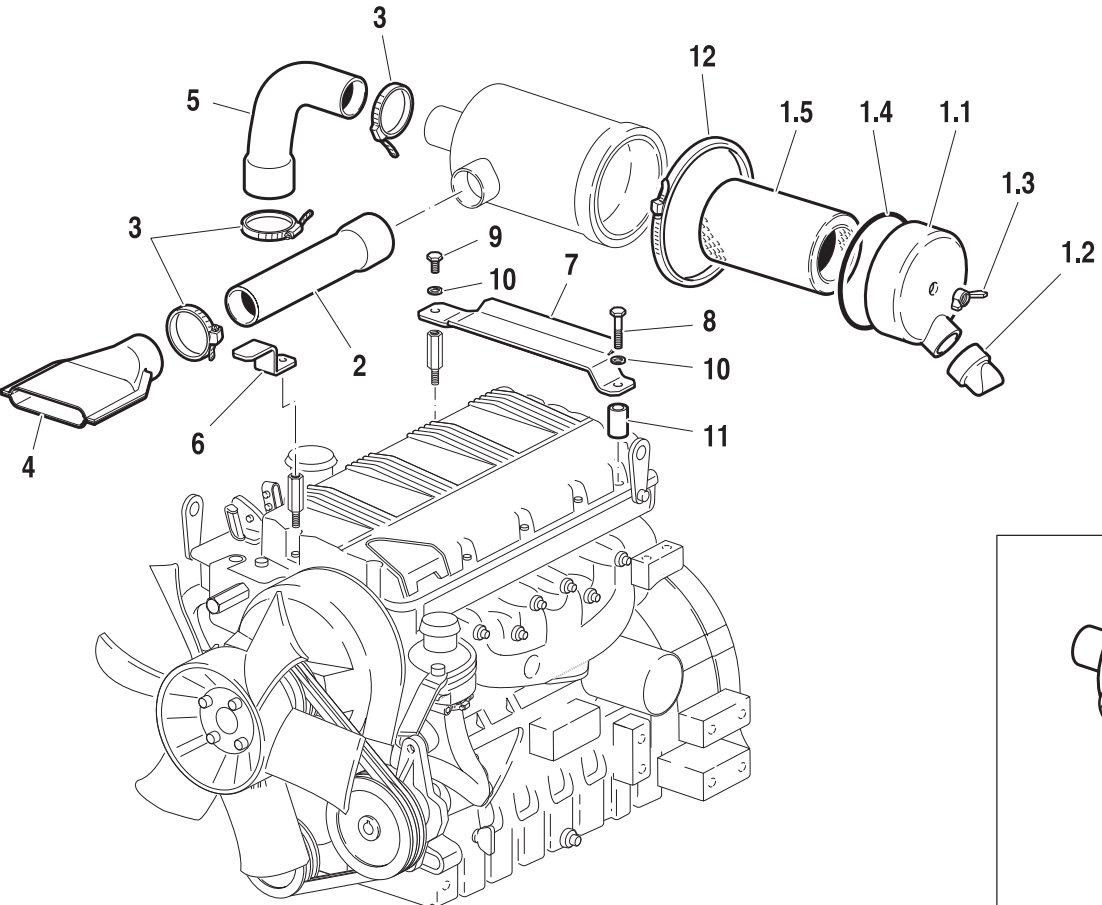
Pos.	Code	Q.ty	Description	Notes
1	F0828029070	1	ACCELERATOR	
2	31132562	1	SCREW TSVEI M6X16 UNI 5933	
3	31211060	1	NUT M6	
4	F0858520000	1	SLEEVE	
5	58075980	1	CABLE	
6	58073640	1	CABLE	
7	58048002	1	CLAMPING SCREW	
8	59073291	1	ACCEL. PEDAL	
9	56071768	1	PLATE	
10	31112148	1	SCREW TE M8X18 UNI 5739 8G	
11	F0843643060	1	WASHER 8	
12	F0831125000	1	SPRING	

RADIATOR



Pos.	Code	Q.ty	Description	Notes
1/1	58174408	1	RADIATOR	
1.1	58175054	1	DUCT	
1.2	58175053	1	DUCT	
1/2	58174407	1	RADIATOR	
2	58174093	1	SILENT-BLOCK	
3	31211080	1	NUT M8	
4	F0843643060	1	WASHER 8	
5	56173012	1	BRACKET	
6	31112090	1	SCREW TE M6X16 UNI 5739 8G	
7	F0843570000	1	WASHER 6	
8	F0849206005	1	SILENT-BLOCK	
9	31211060	1	NUT M6	
10	55172995	1	SLEEVE	
11	55172994	1	SLEEVE	
12	P40533900000	1	CLAMP	
13	F0256809050	1	GASKET	
14	F0825415050	1	CLAMP	

AIR FILTER



Pos.	Code	Q.ty	Description	Notes
1	58172996	1	AIR FILTER	
1.1	59900218	1	COVER	
1.2	59900220	1	VALVE	
1.3	59900219	1	FLOAT LEVEL	
1.4	59900217	1	GASKET	
1.5	58172999	1	CARTOUCHE	
2	56172998	1	PIPE	
3	P45372700000	1	CLAMP	
4	57371825	1	SOCKET	
5	55172997	1	SLEEVE	
6	56173013	1	RETAINER	
7	56172985	1	RETAINER	
8	31111097	1	SCREW TE M6X45 UNI 5737 8G	
9	31112082	1	SCREW TE M6X12 UNI 5739 8G	
10	F0843570000	1	WASHER 6	
11	56172993	1	SPACER	
12	F0817603100	1	CLAMP	

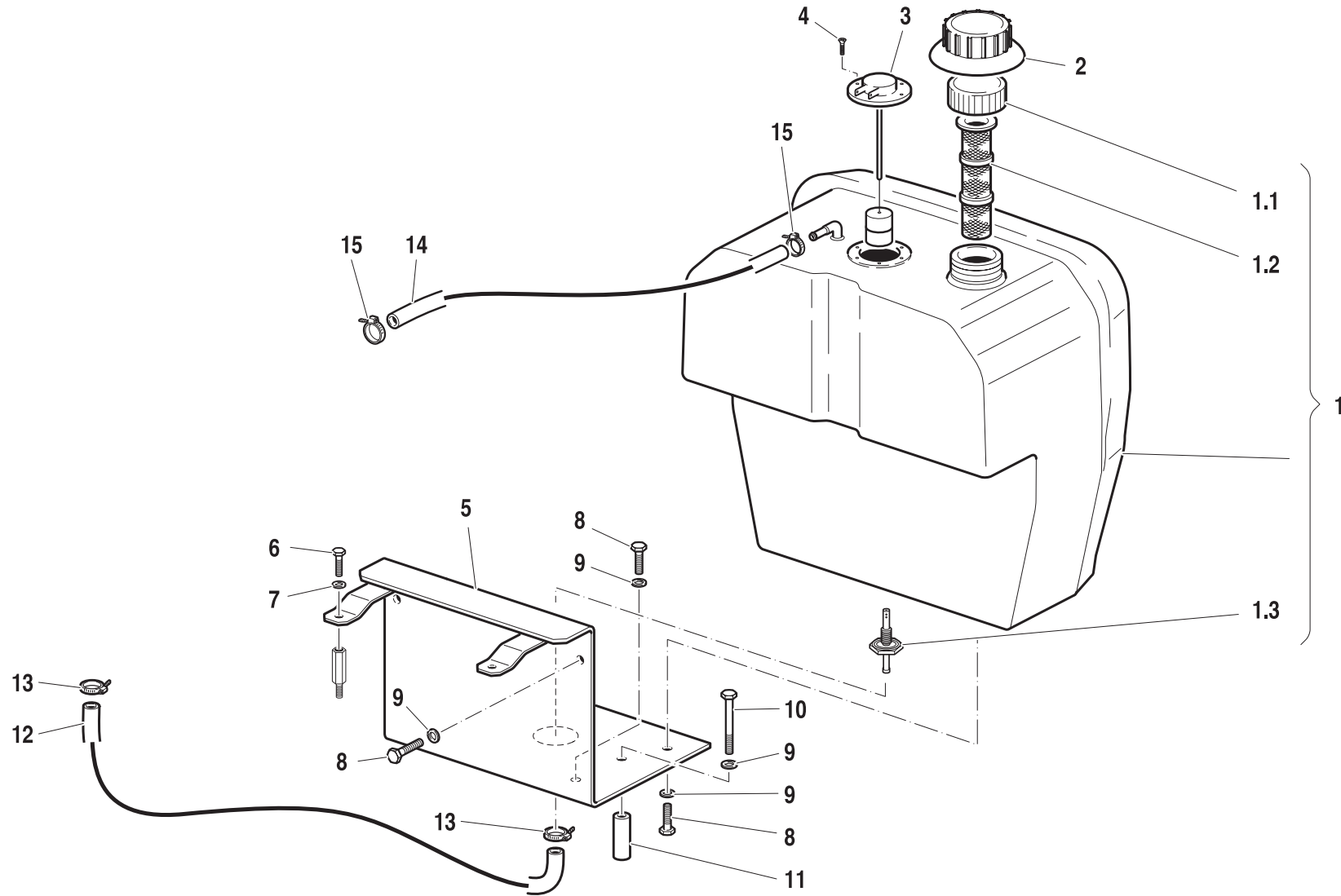
SERIAL

AIR FILTER
Version: 30-40CV

CODE REV

A.04.01_1_20114

FUEL TANK



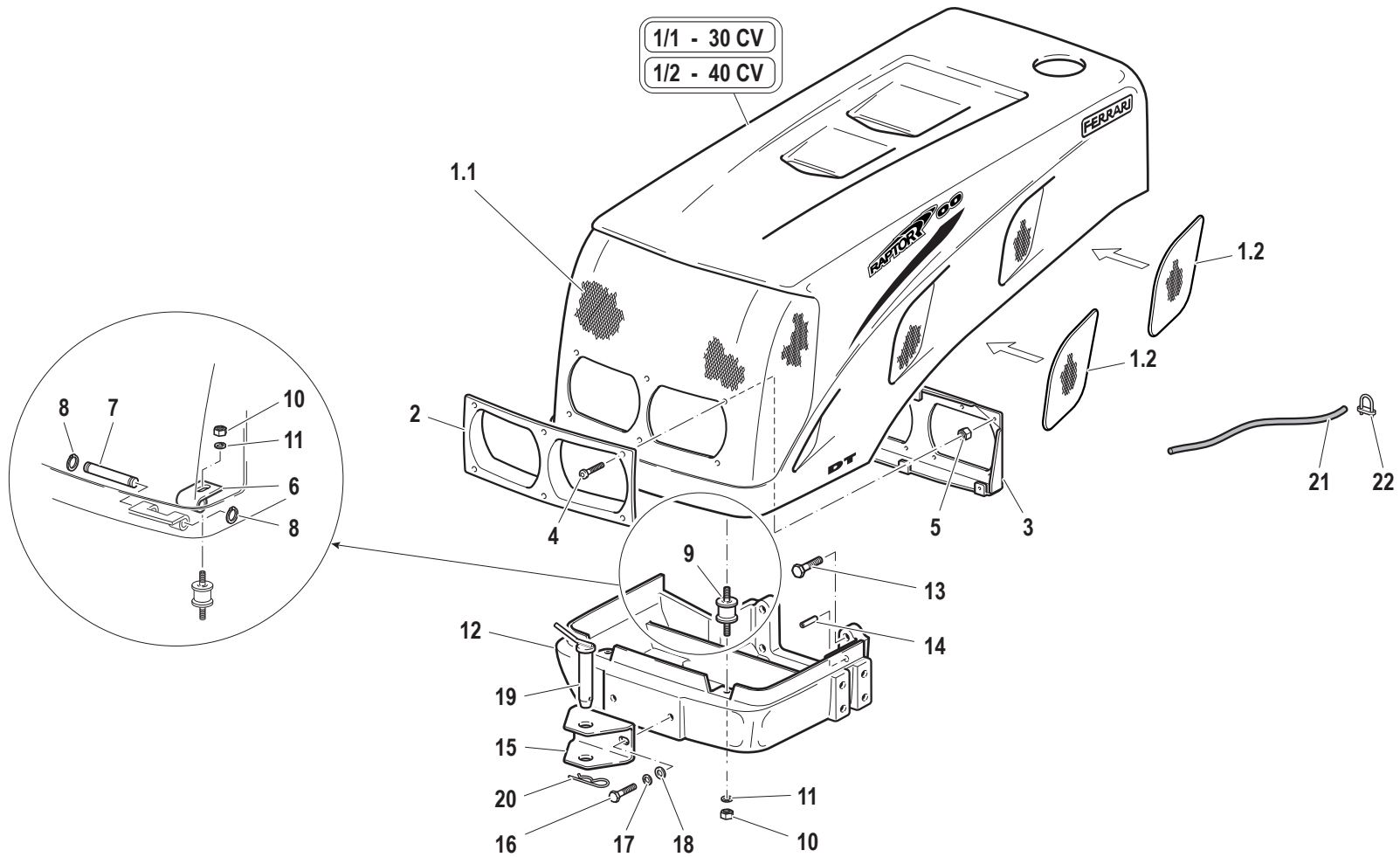
Pos.	Code	Q.ty	Description	Notes
1	55273328	1	FUEL TANK	
1.1	F0849500001	1	TANK COVER	
1.2	F0849500002	1	FILTER	
1.3	57174884	1	PIPE FITTING	
2	57371900	1	LINING	
3	58173187	1	CONTROL	
4	F0861867050	1	SCREW M4,2X19 DIN 7981	
5	59073326	1	TANK SUPPORT	
6	31112090	1	SCREW TE M6X16 UNI 5739 8G	
7	F0843570000	1	WASHER 6	
8	31111151	1	SCREW TE M8X16 UNI 5739 8G	
9	F0843643060	1	WASHER 8	
10	F0862944000	1	SCREW M8X60 UNI 5737	
11	59073327	1	SPACER	
12	58073237	1	PIPE	
13	P97917900000	1	CLAMP 10-16	
14	58074199	1	FLEXIBLE HOSE	
15	F0817505100	1	CLAMP	

SERIAL

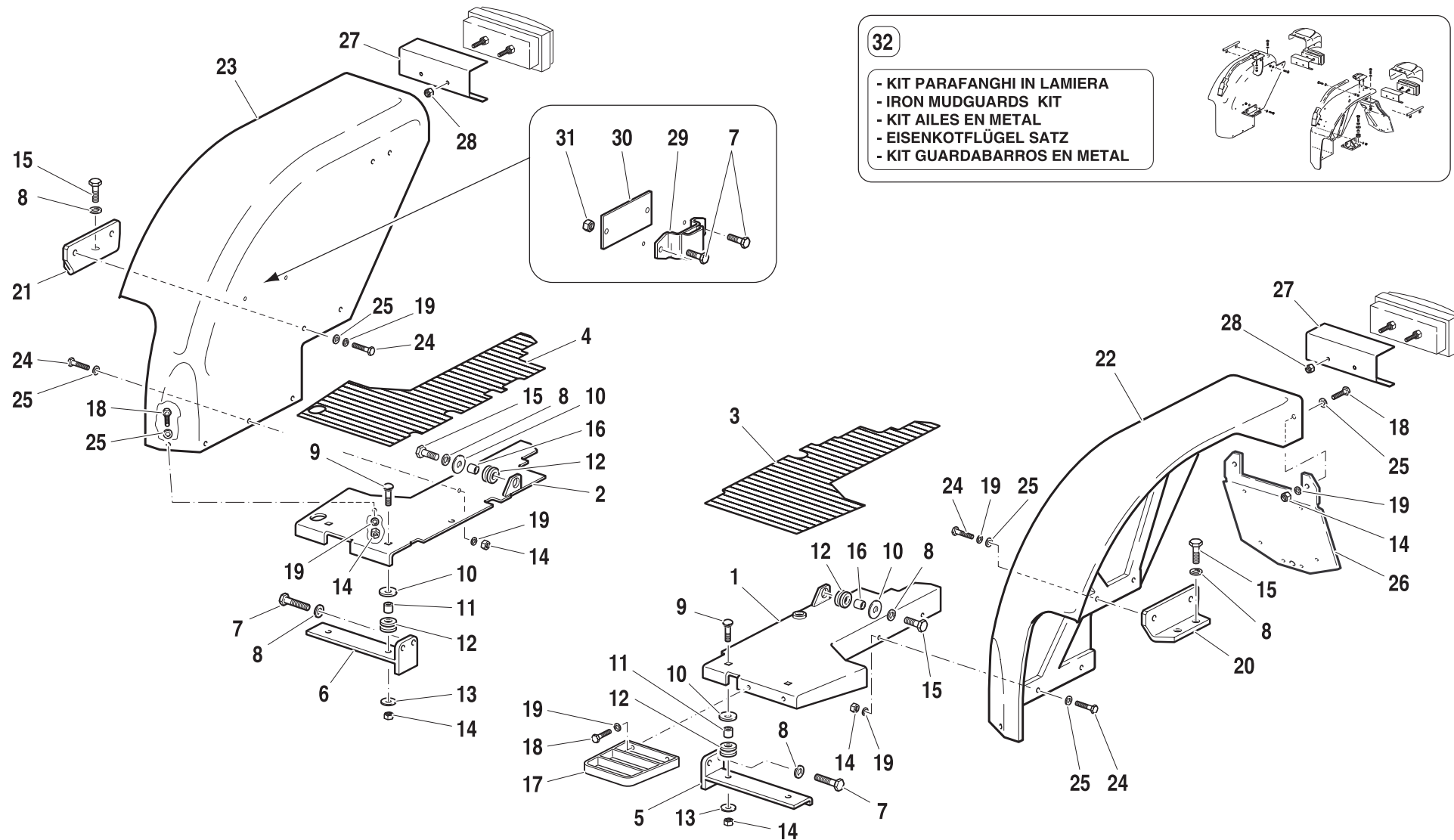
FUEL TANK
Version: 30-40CV

CODE REV

A.05.01_1_20132



Pos.	Code	Q.ty	Description	Notes
1.1	56177693	1	FRONT GRILL	
1/1	59900287	1	COMPLETE HOOD	
1/2	59900288	1	COMPLETE HOOD	
1.2	56174427	1	FRONT GRILL	
2	57373097	1	FRONT GRILLE	
3	59073098	1	SUPPORT	
4	F0862479040	1	SCREW M6X20 7380	
5	F0814632000	1	NUT M10	
6	56071684	1	BRACKET	
7	56071681	1	HINGE PIN	
8	35211060	1	SEEGER RING E 6 UNI 7434	
9	F0849211010	1	SILENT-BLOCK	
10	F0814629010	1	NUT M10	
11	F0843755000	1	WASHER 10	
12	51175263	1	FRONT SUPPORT	
13	31112292	1	SCREW TE M12X50 UNI 5737	
14	56370228	1	CYLINDRICAL PLUG	
15	56174873	1	TOW HOOK	
16	31112272	1	SCREW TE M12X30 UNI 5739	
17	F0843843060	1	WASHER 12	
18	31411130	1	WASHER 13x24	
19	59075283	1	PIN	
20	F0851497000	1	SPLIT PIN	
21	F0252929002	1	CRATE	
22	F0859070030	1	TERMINAL	



Pos.	Code	Q.ty	Description	Notes
1	59073626	1	PEDAL	
2	59073625	1	PEDAL	
3	57374211	1	FOOTREST COVER	
4	57374212	1	FOOTREST COVER	
5	59073620	1	LEFT FOOTBOARD SUPPORT	
6	59073619	1	RIGHT FOOTBOARD SUPPORT	
7	31112219	1	SCREW TE M10X25 UNI 5739	
8	F0843755000	1	WASHER 10	
9	31122804	1	SCREW TTQ M8X30 UNI 5731	
10	F0843818000	1	WASHER 11x30/2,5	
11	56171996	1	SPACER	
12	55175174	1	BLOCK	
13	31411090	1	WASHER 9x24	
14	F0814574000	1	NUT M8	
15	31112211	1	SCREW TE M10X30 UNI 5739	
16	56171954	1	SPACER	
17	59073814	1	GUARD	
18	31111151	1	SCREW TE M8X16 UNI 5739 8G	
19	F0843643060	1	WASHER 8	
20	56173633	1	SUPPORT	
21	56173632	1	SUPPORT	
22	59071926	1	LEFT REAR FENDER	
23	59071927	1	RIGHT REAR FENDER	
24	31112151	1	SCREW TE M8X25 UNI 5739 8G	
25	31411084	1	WASHER 8,4x17	
26	59071937	1	PLATE HOLDER	
27	56171938	1	BRACKET	
28	31241051	1	SELFLOCK NUT M5	
29	59070592	1	LEVER BEARING	
30	56172129	1	BRACKET FASTENER	
31	F0814642020	1	SELFLOCK NUT M10	
32	59978053	1	KIT	

SERIAL

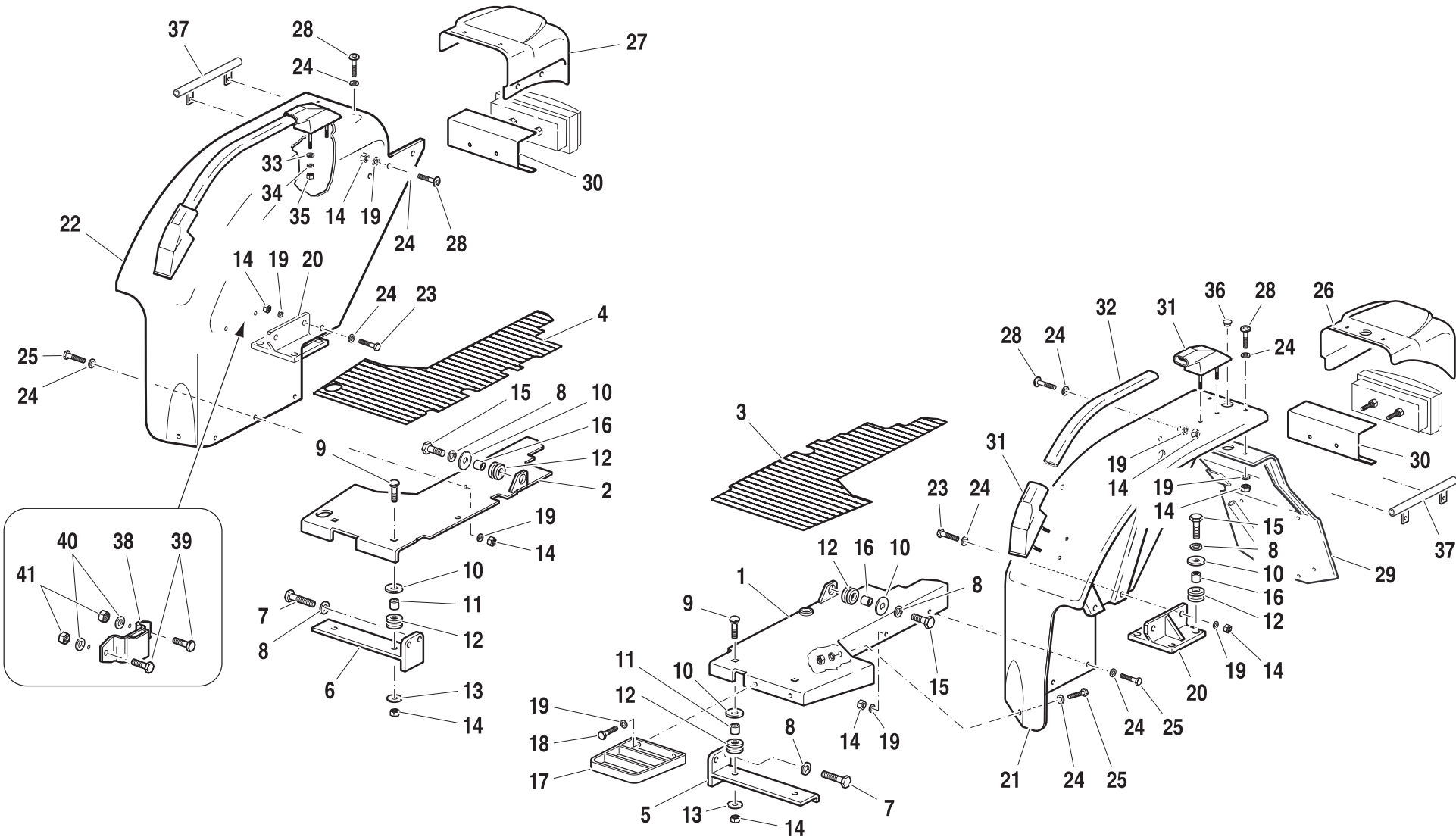
MUD-GUARDS AND FLOOR BOARDS (FIBERGLASS RESIN MUD-GUARDS)

Version: 30-40CV

CODE REV

B.02.01_1_20176

MUD-GUARDS AND FLOOR BOARDS (IRON MUD-GUARDS)



Pos.	Code	Q.ty	Description	Notes
1	59073626	1	PEDAL	
2	59073625	1	PEDAL	
3	57374211	1	FOOTREST COVER	
4	57374212	1	FOOTREST COVER	
5	59073620	1	LEFT FOOTBOARD SUPPORT	
6	59073619	1	RIGHT FOOTBOARD SUPPORT	
7	31112219	1	SCREW TE M10X25 UNI 5739	
8	F0843755000	1	WASHER 10	
9	31122804	1	SCREW TTQ M8X30 UNI 5731	
10	F0843818000	1	WASHER 11x30/2,5	
11	56171996	1	SPACER	
12	55175174	1	BLOCK	
13	31411090	1	WASHER 9x24	
14	F0814574000	1	NUT M8	
15	31112211	1	SCREW TE M10X30 UNI 5739	
16	56171954	1	SPACER	
17	59073814	1	GUARD	
18	31111151	1	SCREW TE M8X16 UNI 5739 8G	
19	F0843643060	1	WASHER 8	
20	59074248	1	FIXING BRACKET	
21	59074285V	1	LEFT REAR FENDER	
22	59074286V	1	RIGHT REAR FENDER	
23	31112151	1	SCREW TE M8X25 UNI 5739 8G	
24	31411084	1	WASHER 8,4x17	
25	31111151	1	SCREW TE M8X16 UNI 5739 8G	
26	57374133	1	SUPPORT	
27	57374134	1	SUPPORT	
28	F0862479030	1	SCREW M8X20 7380	
29	59075081	1	LICENCE PLATE HOLD	
30	56171938	1	BRACKET	
31	55072935	1	SUPPORT	
32	56174337	1	MUDGUARD HANDLE	
33	31411066	1	WASHER 6,6x18	
34	F0843570000	1	WASHER 6	

SERIAL
START
306194

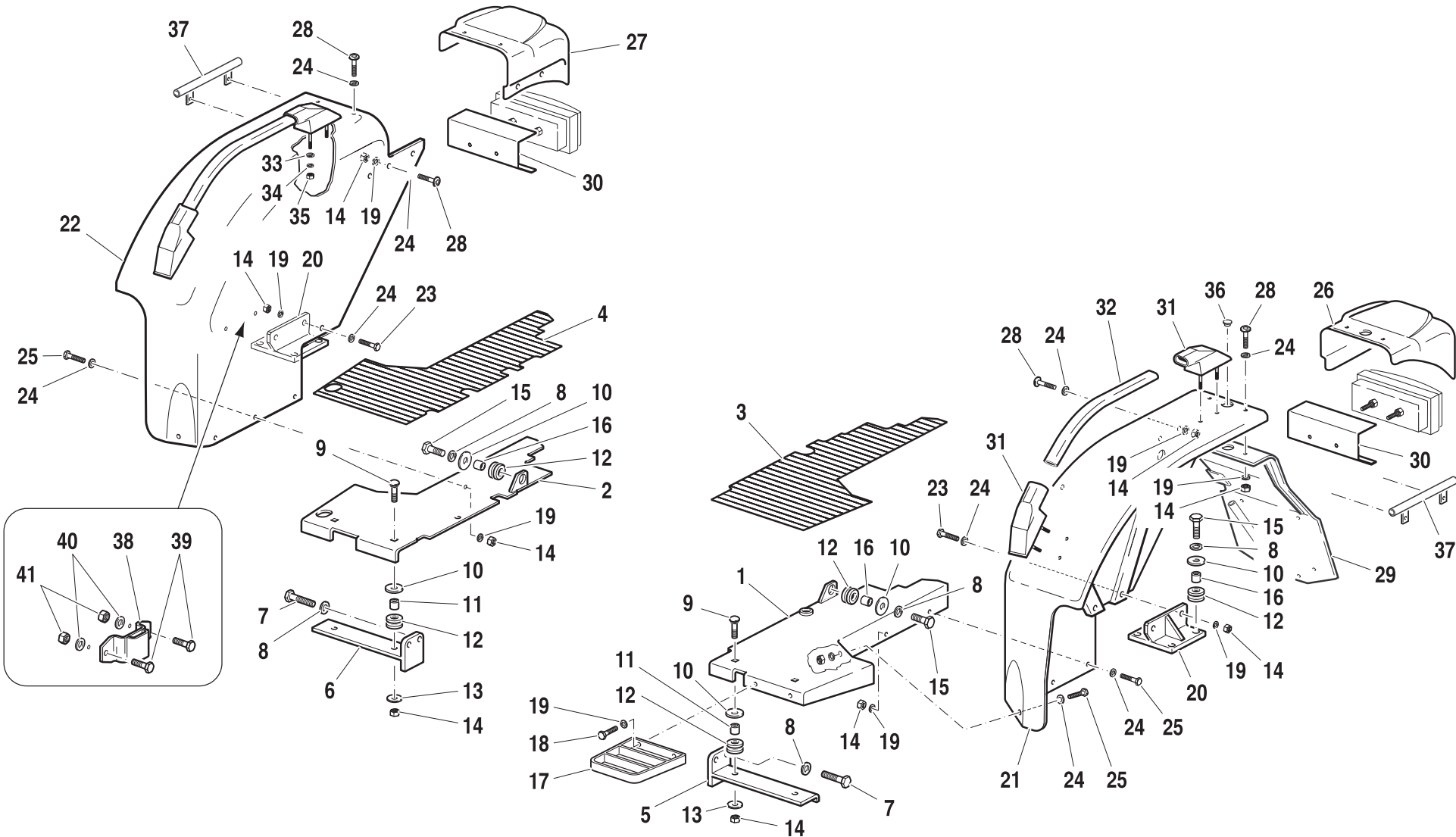
MUD-GUARDS AND FLOOR BOARDS (IRON MUD-GUARDS)

Version: 30-40CV

CODE REV

B.02.01_2_20209

MUD-GUARDS AND FLOOR BOARDS (IRON MUD-GUARDS)



Pos.	Code	Q.ty	Description	Notes
35	31211060	1	NUT M6	
36	58170984	1	PLASTIC PLUG	
37	59074391	1	CABLE BARRIER RAIL	
38	59070592	1	LEVER BEARING	
39	31112208	1	SCREW TE M10X16 UNI 5739	
40	31411105	1	WASHER 10,5x21	
41	31212100	1	NUT M10	

SERIAL
START
306194

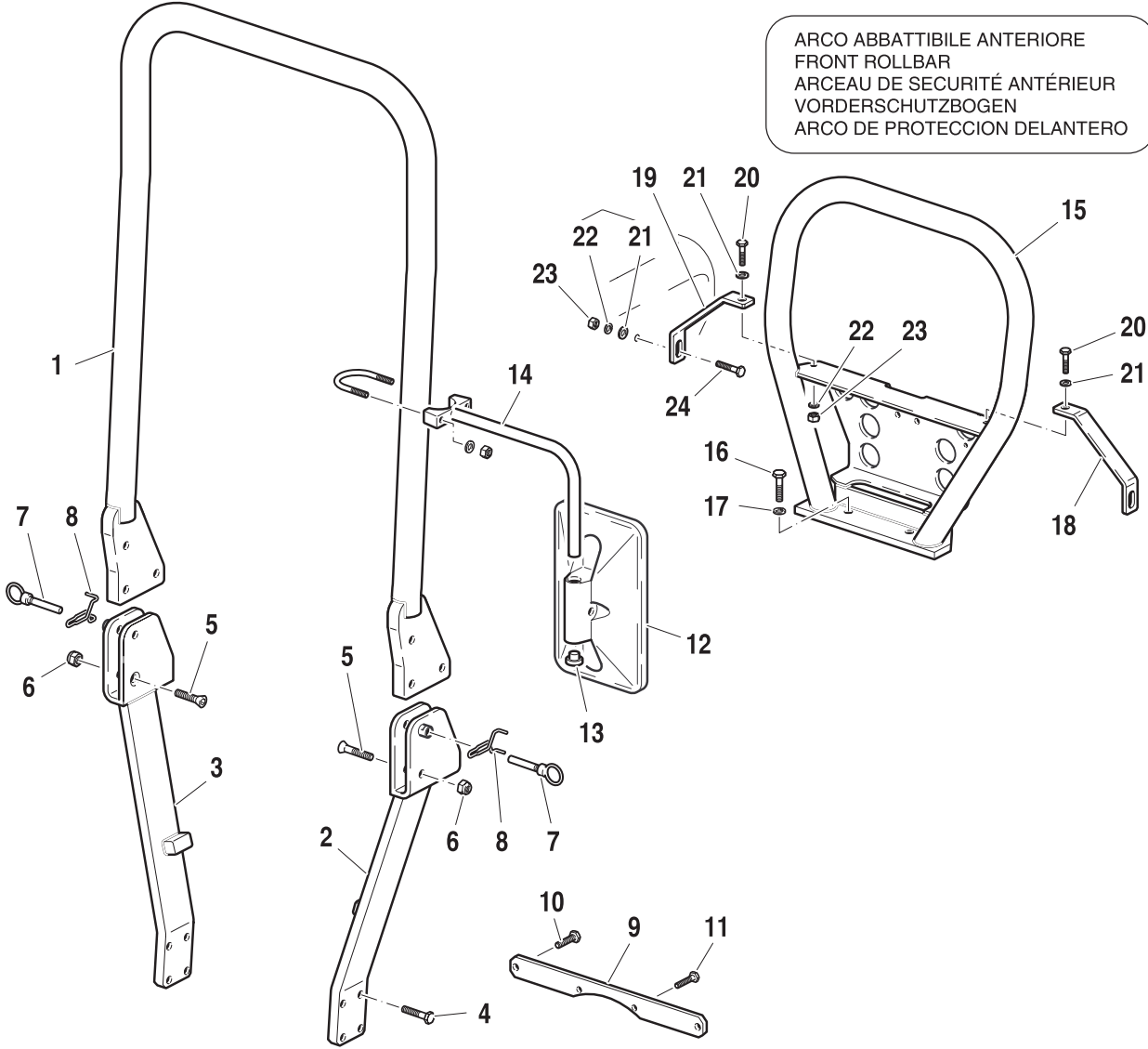
MUD-GUARDS AND FLOOR BOARDS (IRON MUD-GUARDS)

Version: 30-40CV

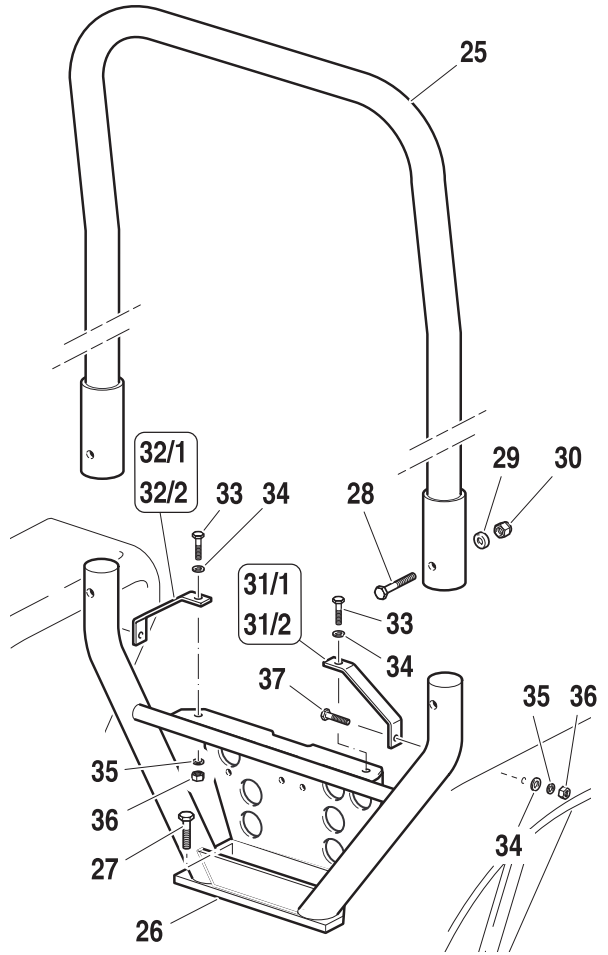
CODE REV
B.02.01_2_20209

ROLLBARS

ARCO ABBATTIBILE ANTERIORE
FRONT ROLLBAR
ARCEAU DE SECURITÉ ANTÉRIEUR
VORDERSCHUTZBOGEN
ARCO DE PROTECCION DELANTERO



ARCO DI PROTEZIONE POSTERIORE
REAR ROLLBAR
ARCEAU DE SECURITÉ POSTÉRIEUR
HINTERSCHUTZBOGEN
ARCO DE PROTECCION TRASERO



Pos.	Code	Q.ty	Description	Notes
1	59074144	1	SAFETY ROLL BAR	
2	59074142	1	SUPPORT	
3	59074143	1	SUPPORT	
4	F0863951050	1	SCREW M12x40 UNI 5737	
5	F0864309100	1	SCREW M14X60 UNI 5933	
6	31241140	1	SELFLOCK NUT M14	
7	56175540	1	HINGE PIN	
8	58070097	1	SPRING	
9	56174241	1	CROSS MEMBER	
10	31112272	1	SCREW TE M12X30 UNI 5739	
11	31112214	1	SCREW TE M10X45 UNI 5739	
12	30000514	1	REAR VIEW MIRROR	
13	58170968	1	PLUG	
14	59070591	1	SUPPORT	
15	59072114	1	SAFETY ROLL BAR	
16	31112264	1	SCREW TE M12X35 UNI 5739	
17	F0843843060	1	WASHER 12	
18	56174366	1	BRACKET	
19	56174365	1	BRACKET	
20	31112152	1	SCREW TE M8X30 UNI 5739 8G	
21	31411084	1	WASHER 8,4x17	
22	F0843643060	1	WASHER 8	
23	F0814574000	1	NUT M8	
24	31112150	1	SCREW TE M8X20 UNI 5739 8G	
25	59072945	1	SAFETY ROLL BAR	
26	59072940	1	SUPPORT	
27	31112254	1	SCREW TE M12X30UNI5739	
28	31112293	1	SCREW TE M12X80 UNI 5737	
29	56172964	1	SPACER	
30	58170634	1	SELFLOCK NUT M12	
31/1	56173862	1	CONNECTION	
31/2	56174379	1	CONNECTION	
32/1	56173863	1	CONNECTION	
32/2	56174454	1	CONNECTION	

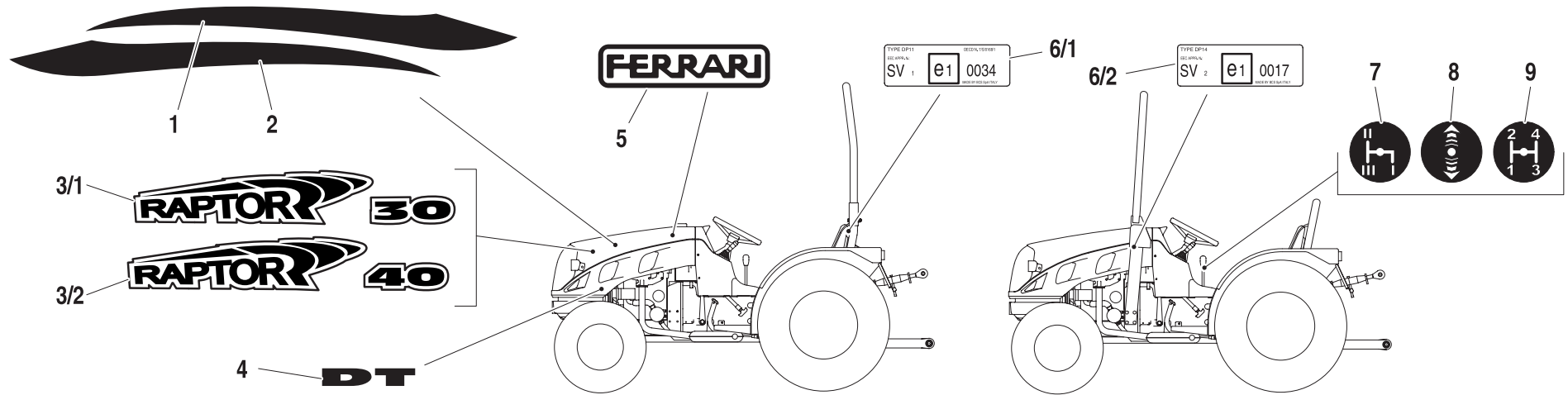
SERIAL

ROLLBARS
Version: 30-40CV

CODE REV

B.03.01_1_20251

Pos.	Code	Q.ty	Description	Notes
33	31112152	1	SCREW TE M8X30 UNI 5739 8G	
34	31411084	1	WASHER 8,4x17	
35	F0843643060	1	WASHER 8	
36	F0814574000	1	NUT M8	
37	31112150	1	SCREW TE M8X20 UNI 5739 8G	



11

Made by BCS SpA - Abbiategrasso Italy
STABILIMENTO DI LUZZARA (RE)

TIPO _____

OMOLOGAZIONE NUMERO _____

NUMERO DI IDENTIFICAZIONE _____

MASSA MAX AMMISSIBILE KG _____

MASSA MAX ASSE ANTERIORE KG _____

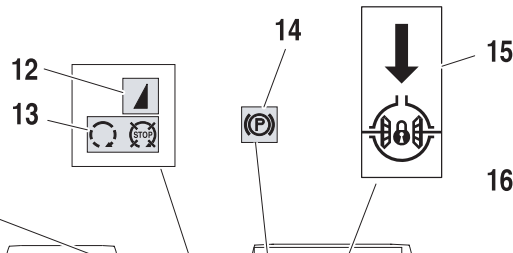
MASSA MAX ASSE POSTERIORE KG _____

MASSA MASSIME RIMORCHIABILI (KG)
 SENZA FRENI _____ CON FRENI _____
 CON FRENI INDIPENDENTI _____
 AD INERZIA _____ CON FRENATA ASSISTITA _____

COEFF. DI ASSORBIMENTO CORRETO _____

(SECONDO DIRETTIVA CEE 77/237)

10



16

UTILIZZO A MACCHINA FERMA
USE WITH TRACTOR STANDING STILL
GERÄT NUR BEI STEHENDESEM SCHLEPPER
UTILIZATION WITH TRACTOR PARKED

ATTENZIONE! (Warning symbols)

1. Non tenere mai la leva del cambio in posizione di marcia (N) o di retromarcia (R) quando si accende il motore. (Do not move the gear lever to FORWARD or REVERSE position when starting the engine.)

2. Non tenere mai la leva del cambio in posizione di marcia (N) o di retromarcia (R) quando si accende il motore. (Do not move the gear lever to FORWARD or REVERSE position when starting the engine.)

3. Non tenere mai la leva del cambio in posizione di marcia (N) o di retromarcia (R) quando si accende il motore. (Do not move the gear lever to FORWARD or REVERSE position when starting the engine.)

17

ATTENZIONE WARNING ACHTUNG

ATTENCIÓN ATENTION

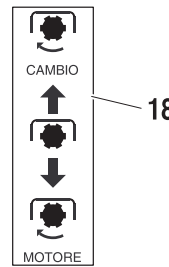
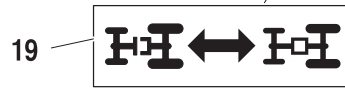
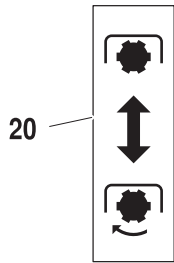
P.T.O. CAMBIO

(1) - Non tenere contemporaneamente a P.T.O. anteriore. (Do not engage together with front P.T.O.)

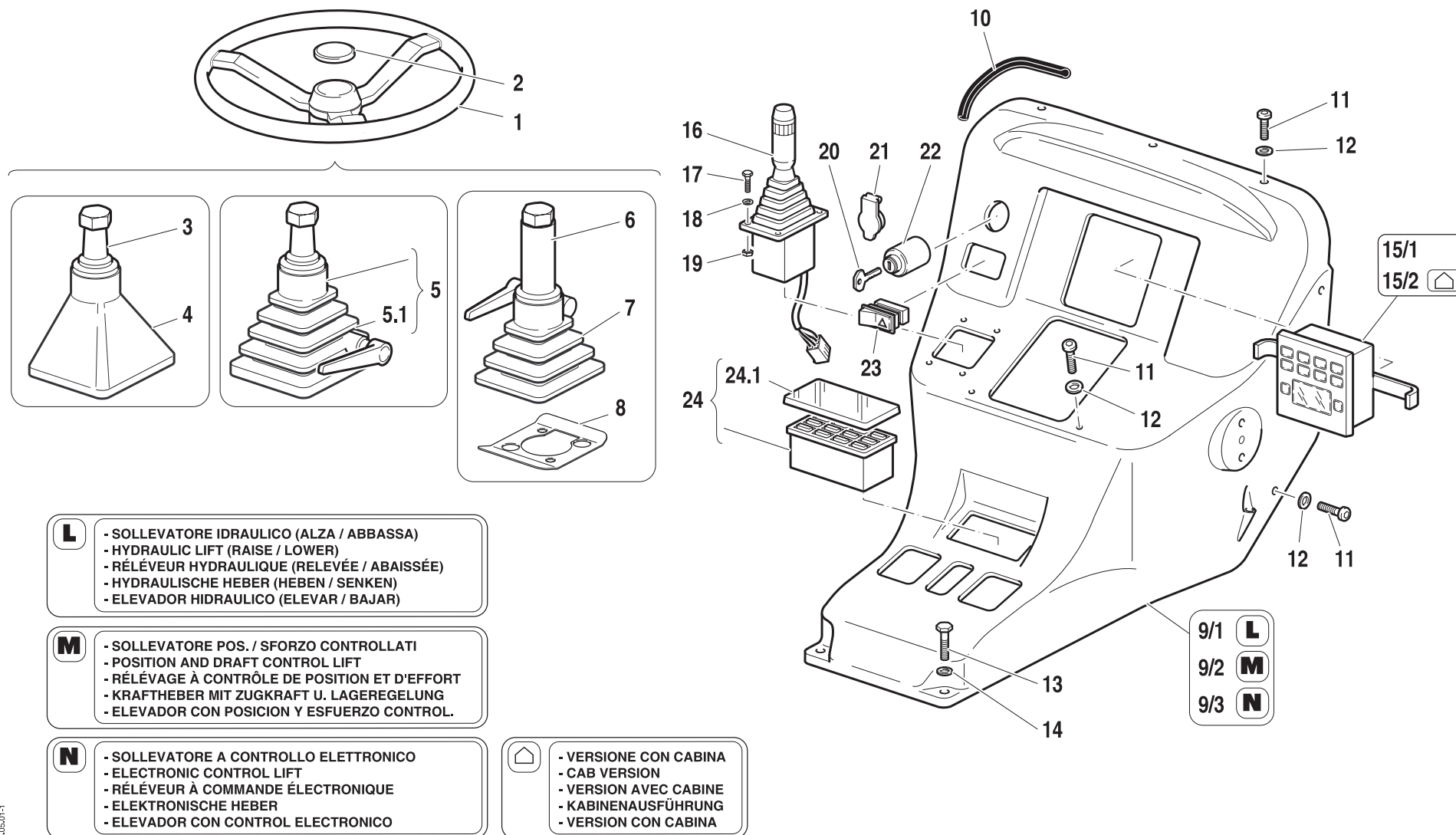
(2) - Synchronisiert Zapfwellen nicht gleichzeitig zusammen mit Vorderzapfwelle. (Do not engage together with front P.T.O.)

(3) - P.D.F., D.F., F. synchronisieren nie gleichzeitig zusammen mit P.D.F., D.F., F. (Do not engage together with front P.T.O.)

(4) - T.D.F., F. sincronizanda no activas junto a la T.D.F., anterior. (Do not engage together with front P.T.O.)

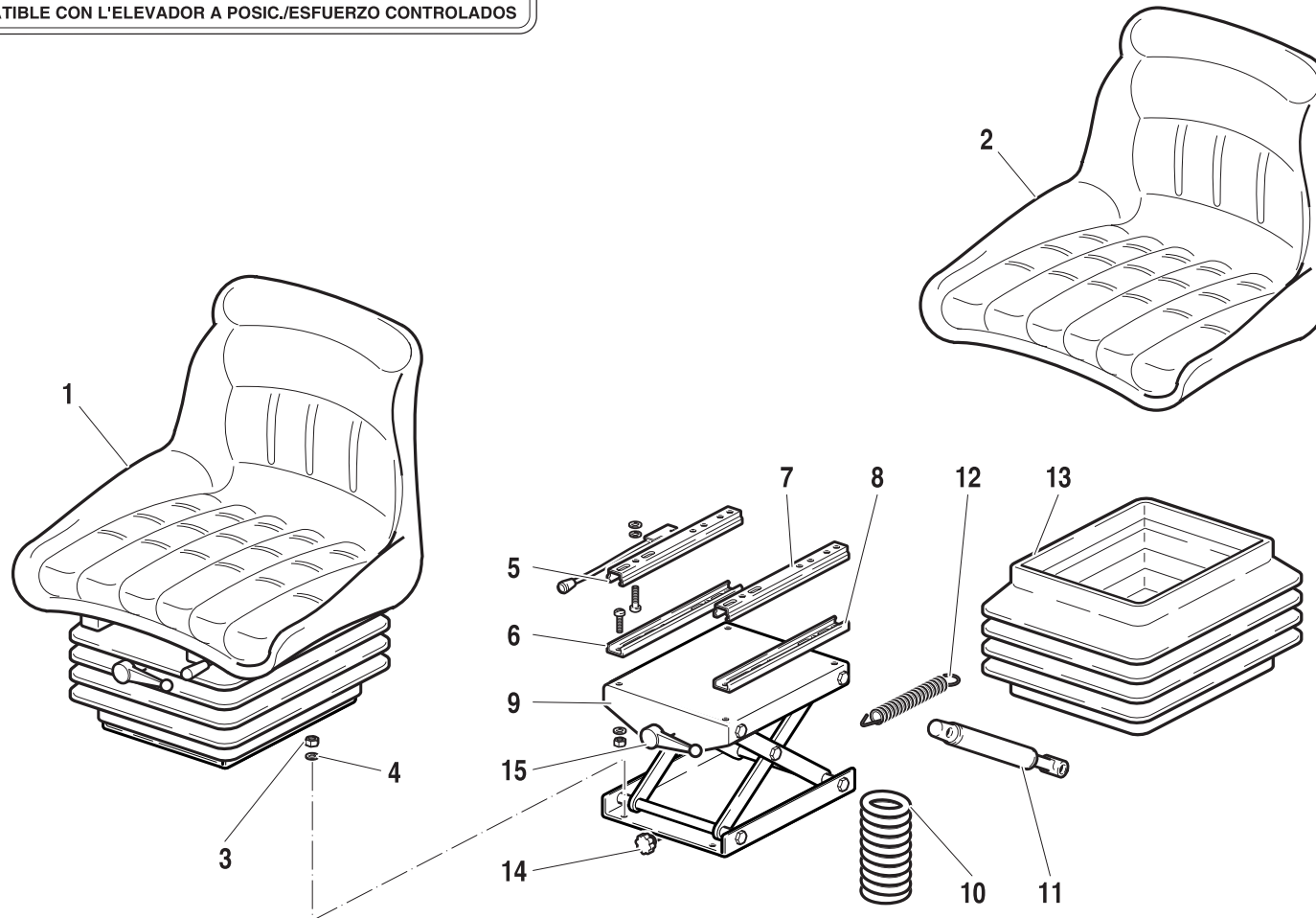


Pos.	Code	Q.ty	Description	Notes
1	58073549	1	DECAL	
2	58073548	1	DECAL	
3/1	58073572	1	DECAL	
3/2	58073573	1	DECAL	
4	58073574	1	DECAL	
5	58073554	1	DECAL	
6/1	58074122	1	PLATE	
6/2	58074564	1	PLATE	
7	58074223	1	DECAL	
8	58074220	1	DECAL	
9	58074222	1	DECAL	
10	58072737	1	PLATE	
11	F0808518050	1	RIVET 3,5x6,5	
12	58072517	1	INSTRUCTION PLATE	
13	58072511	1	INSTRUCTION PLATE	
14	58072510	1	INSTRUCTION PLATE	
15	58072520	1	INSTRUCTION PLATE	
16	58076077	1	DECAL	
17	58076020	1	DECAL	
18	58072575	1	PLATE	
19	58073857	1	PLATE	
20	58073858	1	PLATE	
21	F0907170111	1	TECHN. MANUAL RAPTOR	

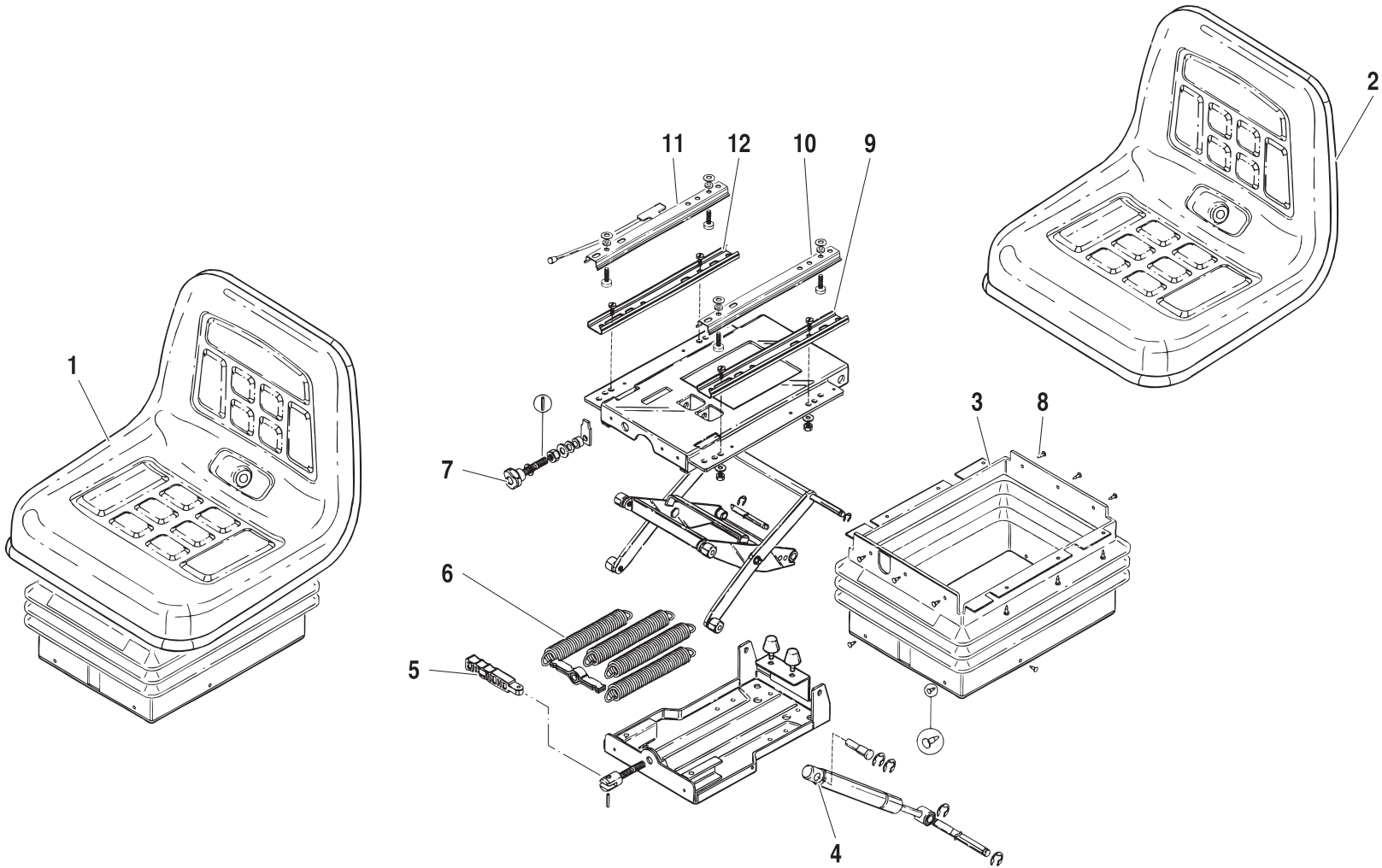


Pos.	Code	Q.ty	Description	Notes
1	F0865040000	1	STEERING WHEEL	
2	F0865040010	1	PLUG	
3	F0865475000	1	SMALL COLUMN	
4	57372600	1	COVER	
5	F0865474000	1	UNIT	
5.1	F0865474005	1	BELLOWS	
6	P23810301000	1	SMALL COLUMN	
7	P23810500000	1	BELLOWS	
8	56176050	1	FRONT GRILLE	
9/1	57374197	1	INSTRUMENT PANEL	
9/2	57375621	1	INSTRUMENT PANEL	
9/3	57374245	1	INSTRUMENT PANEL	
10	F0256809010	1	GASKET	
11	F0862479035	1	SCREW M6X16 7380	
12	F0843578010	1	WASHER 6,4x11/1,6	
13	31112151	1	SCREW TE M8X25 UNI 5739 8G	
14	31411084	1	WASHER 8,4x17	
15/1	58173108	1	GAUGE	
15/2	58175950	1	GAUGE	
16	58173345	1	STEERING COLUMN SWITCH UNIT	
17	31111084	1	SCREW TE M4X16 UNI 5739 8G	
18	F0843526000	1	WASHER 4,3x12/1,5	
19	31211040	1	NUT M4	
20	58045806	1	KEY	
21	F0825400060	1	COVER	
22	58073566	1	PANEL	
23	F0825115010	1	PUSH-BUTTON	
24	58170453	1	FUSE BOX	
24.1	58172267	1	COVER	

- SEDILE NON COMPATIBILE CON IL SOLLEVATORE POSIZ./SFORZO CONTROLLATI
- SEAT NOT COMPATIBLE WITH THE POSITION/DRAFT CONTROL LIFT
- SIÈGE INCOMPATIBLE AVEC LE RELEVEUR À POSITION/EFFORT CONTROLÉS
- SITZ UNVEREINBAR MIT DIE ZUGKRAFT U.LAGEREGELUNG KRAFTHEBER
- ASIENTO INCOMPATIBLE CON L'ELEVADOR A POSIC./ESFUERZO CONTROLADOS

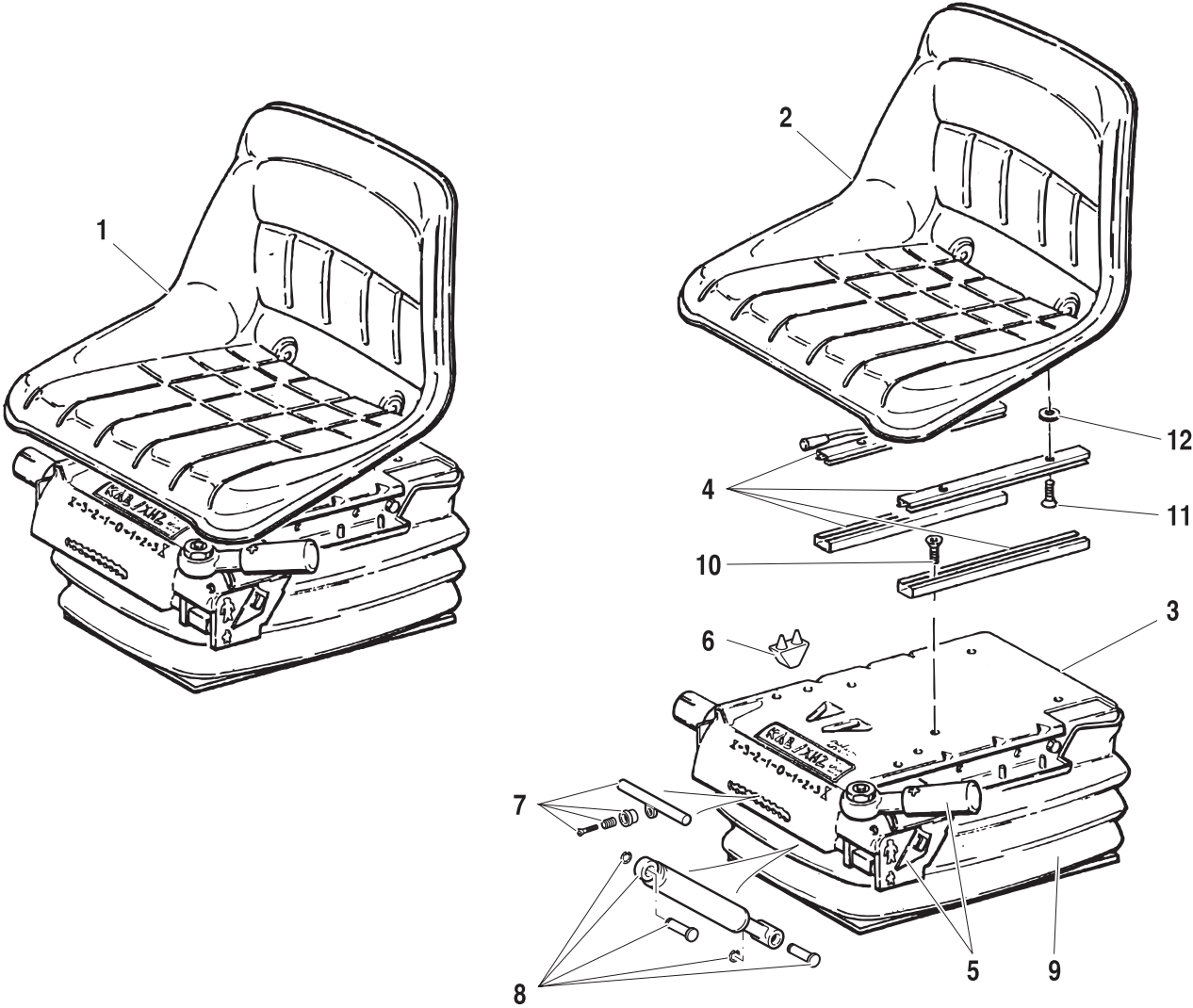


Pos.	Code	Q.ty	Description	Notes
1	58170440	1	SEAT	
2	59900171	1	SEAT CAVITY	
3	F0814569000	1	NUT M8 UNI 5589 CL:8	
4	31411084	1	WASHER 8,4x17	
5	59900172	1	GUIDE	
6	59900173	1	GUIDE	
7	59900174	1	GUIDE	
8	59900175	1	GUIDE	
9	59900163	1	SPRING	
10	59900168	1	SPRING	
11	59900169	1	SHOCKS ABSORBER	
12	59900167	1	SPRING	
13	59900170	1	BELLOWS	
14	59900166	1	HAND WHEEL	
15	59900165	1	LEVER	



Pos.	Code	Q.ty	Description	Notes
1	58170995	1	SEAT	
2	59900162	1	SEAT CAVITY	
3	59900159	1	BELLOWS	
4	59900156	1	SHOCKS ABSORBER	
5	59900155	1	LEVER	
6	59900154	1	SPRING	
7	59900153	1	KNOB	
8	59900158	1	SCREW	
9	59900157	1	LOWER GUIDE	
10	59900160	1	GUIDE	
11	59900161	1	GUIDE	
12	59900152	1	LOWER GUIDE	

SEAT "KAB"



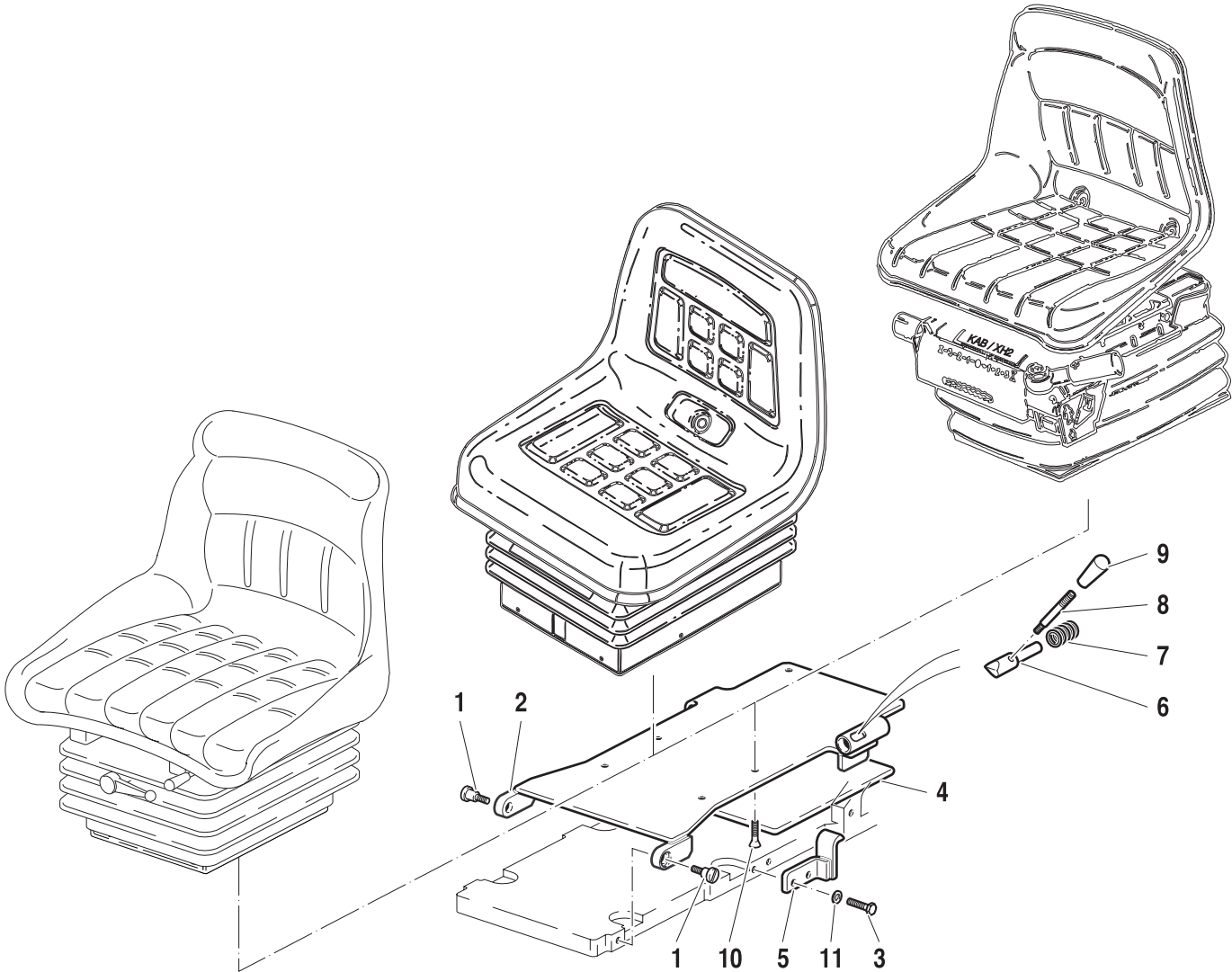
Pos.	Code	Q.ty	Description	Notes
1	59900199	1	SEAT	
2	F0150036216	1	SEAT CAVITY	
3	F0150036219	1	SPRING	
4	58173437	1	SEAT GUIDE	
5	59900183	1	CONTROL	
6	59900184	1	SPRINGS LIMITER	
7	59900185	1	CONTROL	
8	59900186	1	SHOCKS ABSORBER	
9	59900187	1	BELLOWS	
10	31111151	1	SCREW TE M8X16 UNI 5739 8G	
11	F0862495010	1	SCREW M8X16 UNI 5931	
12	F0843696000	1	WASHER D.24x8/6	

SERIAL

SEAT "KAB"
Version: 30-40CV

CODE REV
B.06.03_1_20374

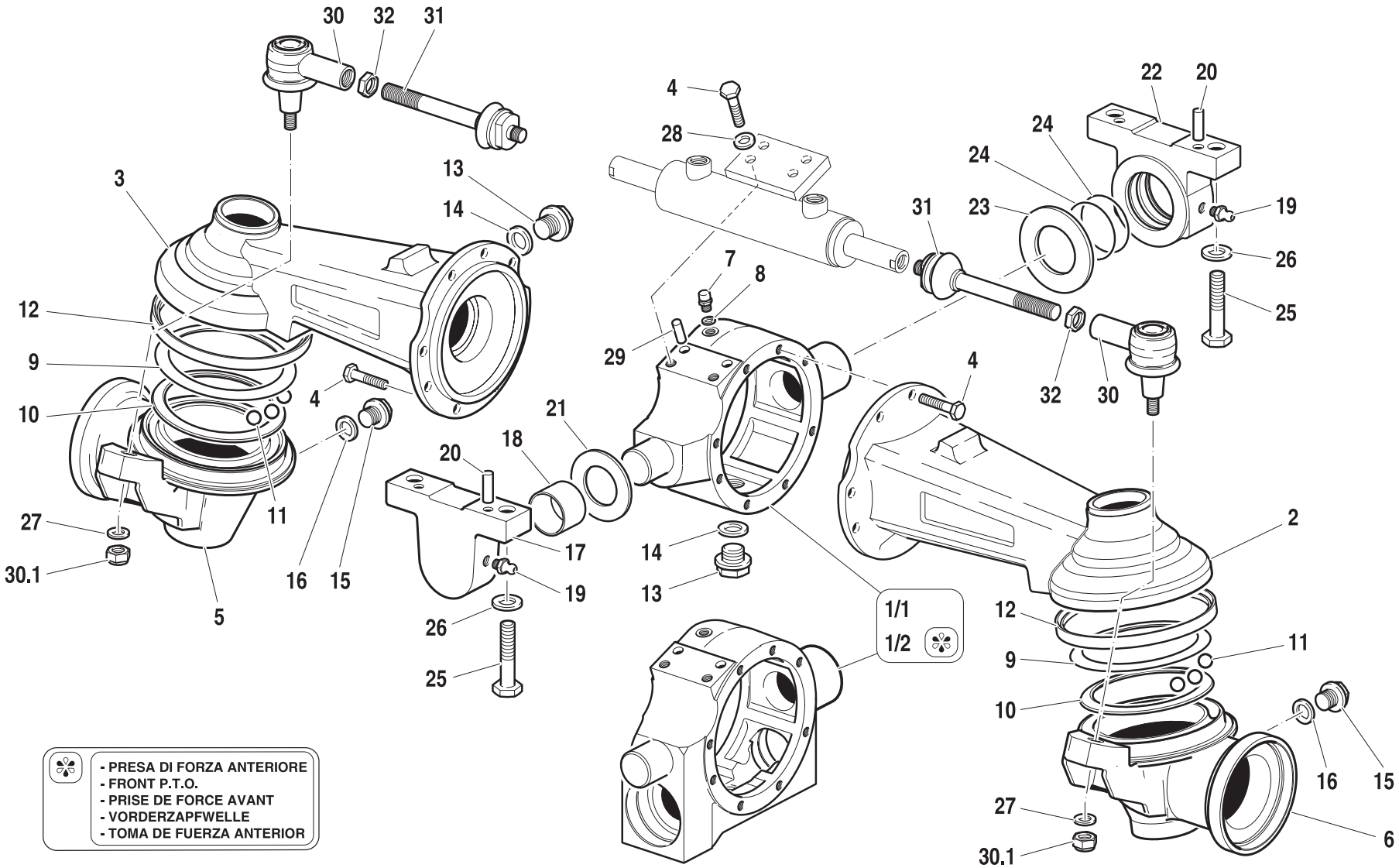
SEAT CONNECTION



Pos.	Code	Q.ty	Description	Notes
1	F0010001078	1	PIN	
2	59071743	1	PLATE	
3	31112090	1	SCREW TE M6X16 UNI 5739 8G	
4	57370321	1	RUBBER	
5	59071745	1	BRACKET	
6	56371222	1	LOCKING BOLT	
7	58070390	1	SEAT SPRINGS	
8	56171237	1	HINGE PIN	
9	F0837521000	1	GRIP	
10	F0862481000	1	SCREW M8x16 UNI 5933	
11	F0843570000	1	WASHER 6	

FRONT AXLE

SERIAL START 903717

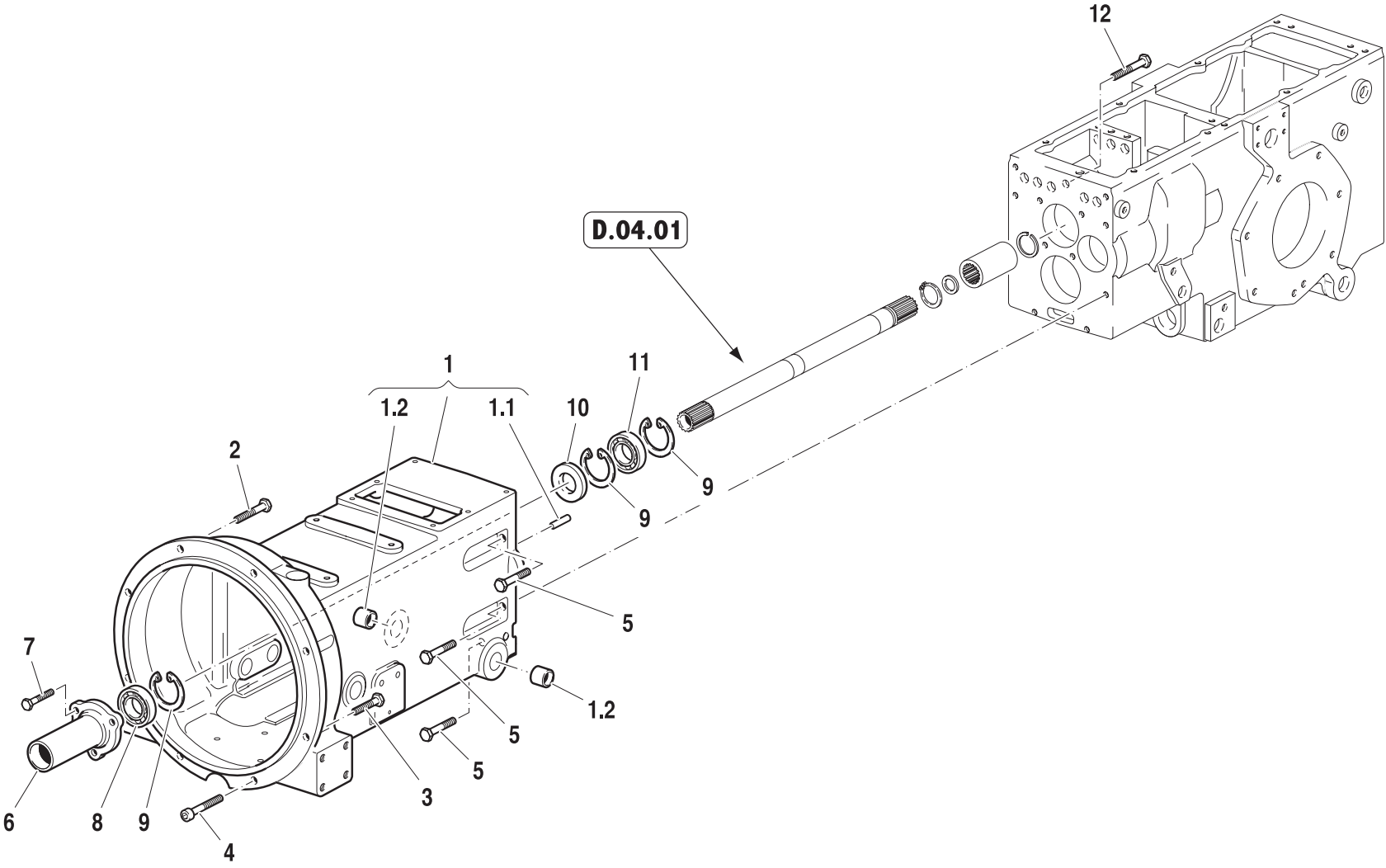


Pos.	Code	Q.ty	Description	Notes
1/1	51173455	0	FRONT AXLE HOUSING	
1/2	51175172	0	FRONT AXLE HOUSING	
2	51176280	1	FRONT AXLE HOUSING	
3	51176281	1	FRONT AXLE HOUSING	
4	31112211	0	SCREW TE M10X30 UNI 5739	
5	51276282	1	BOX	
6	51276283	1	BOX	
7	F0852517000	0	PLUG	
8	F0843771000	0	COPPER WASHER 10,0x16/1	
9	F0150023162	0	HOUSING	
10	F0150023163	0	HOUSING	
11	F0847462000	0	BALL RB-11.112	
12	F0802800030	1	SEAL 140X160X10	
13	56370081	0	PLUG	
14	F0844273090	0	GASKET 22X28X1,5 CU 99,5	
15	F0852578050	0	PLUG	
16	F0824110000	0	COPPER WASHER 3/8 GAS	
17	51173581	0	FRONT SUPPORT	
18	58073481	0	REINFORCING SLEEVE	
19	F0826056000	0	LUBRICATOR M10 UNI 7663A	
20	56370228	0	CYLINDRICAL PLUG	
21	56473479	0	SHIM	
22	51173508	0	SUPPORT	
23	56473482	0	SHIM	
24	F0803210020	0	O-RING 3256	
25	F0864346050	0	SCREW M16X45 UNI 5739	
26	F0844030000	0	WASHER 16	
27	31411150	0	WASHER 15x28	
28	F0843755000	0	WASHER 10	
29	58073629	0	PIN	
30	58173470	0	JOINT	
30.1	31241122	0	SELFLOCK NUT M12x1,25	
31	58173471	0	JOINT	
32	F0814785070	0	NUT M16X1,5	

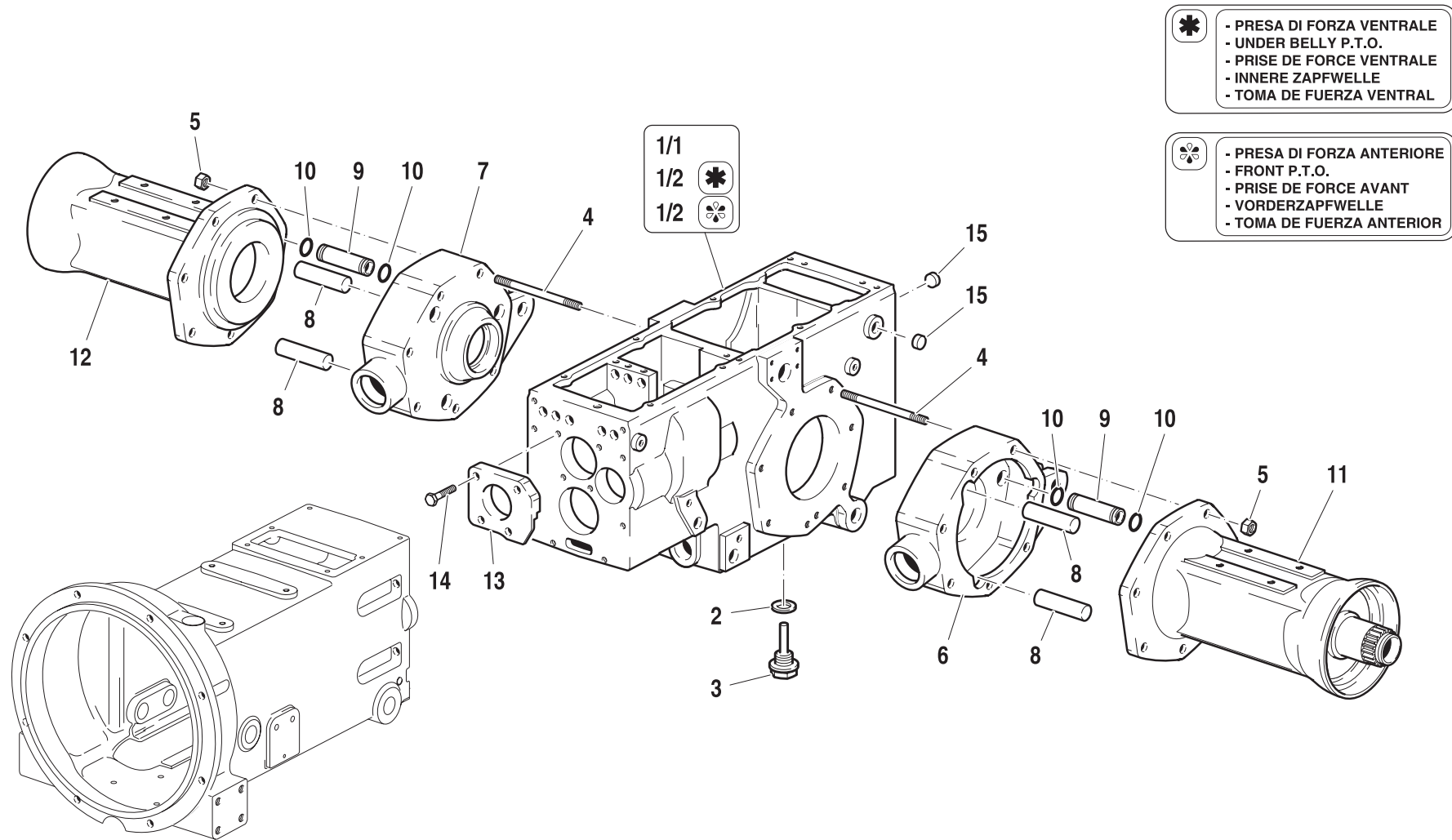
SERIAL
START
903717

FRONT AXLE
Version: 30-40CV

CODE REV
C.01.01_2_22204



Pos.	Code	Q.ty	Description	Notes
1	59276276	1	CLUTCH HOUSING	
1.1	56370228	1	CYLINDRICAL PLUG	
1.2	58071793	1	BUSHING	
2	31112214	1	SCREW TE M10X45 UNI 5739	
3	31112211	1	SCREW TE M10X30 UNI 5739	
4	31152101	1	SCREW TCEI M10X45 UNI 5931 8G	
5	F0863328000	1	SCREW M10X35 UNI 5737	
6	51173478	1	SLEEVE	
7	F0862694000	1	SCREW M8X170 UNI 5737	
8	37112230	1	BEARING	
9	35111055	1	SEEGER RING I 55 DIN 472	
10	F0802124000	1	SEAL 30x55/10	
11	F0812745000	1	BEARING 6006 (30x55x13)	
12	F0863359000	1	SCREW M10X40 UNI 5737	



Pos.	Code	Q.ty	Description	Notes
1/1	51173459	1	GEAR BOX	
1/2	51174121	1	GEAR BOX	
2	F0844273090	1	GASKET 22X28X1,5 CU 99,5	
3	58170021	1	PLUG	
4	F0838660000	1	STUD BOLT M12X105 UNI 5911-66	
5	F0814695000	1	NUT M12	
6	51171603	1	BRAKE HOUSING	
7	51171604	1	BRAKE HOUSING	
8	56371606	1	PIN	
9	56371605	1	PIN	
10	F0803186000	1	O-RING 123	
11	51172601	1	REDUCTION BOX	
12	51172602	1	REDUCTION BOX	
13	51173816	1	FRONT COVER	
14	31112219	1	SCREW TE M10X25 UNI 5739	
15	56173016	1	PLUG	

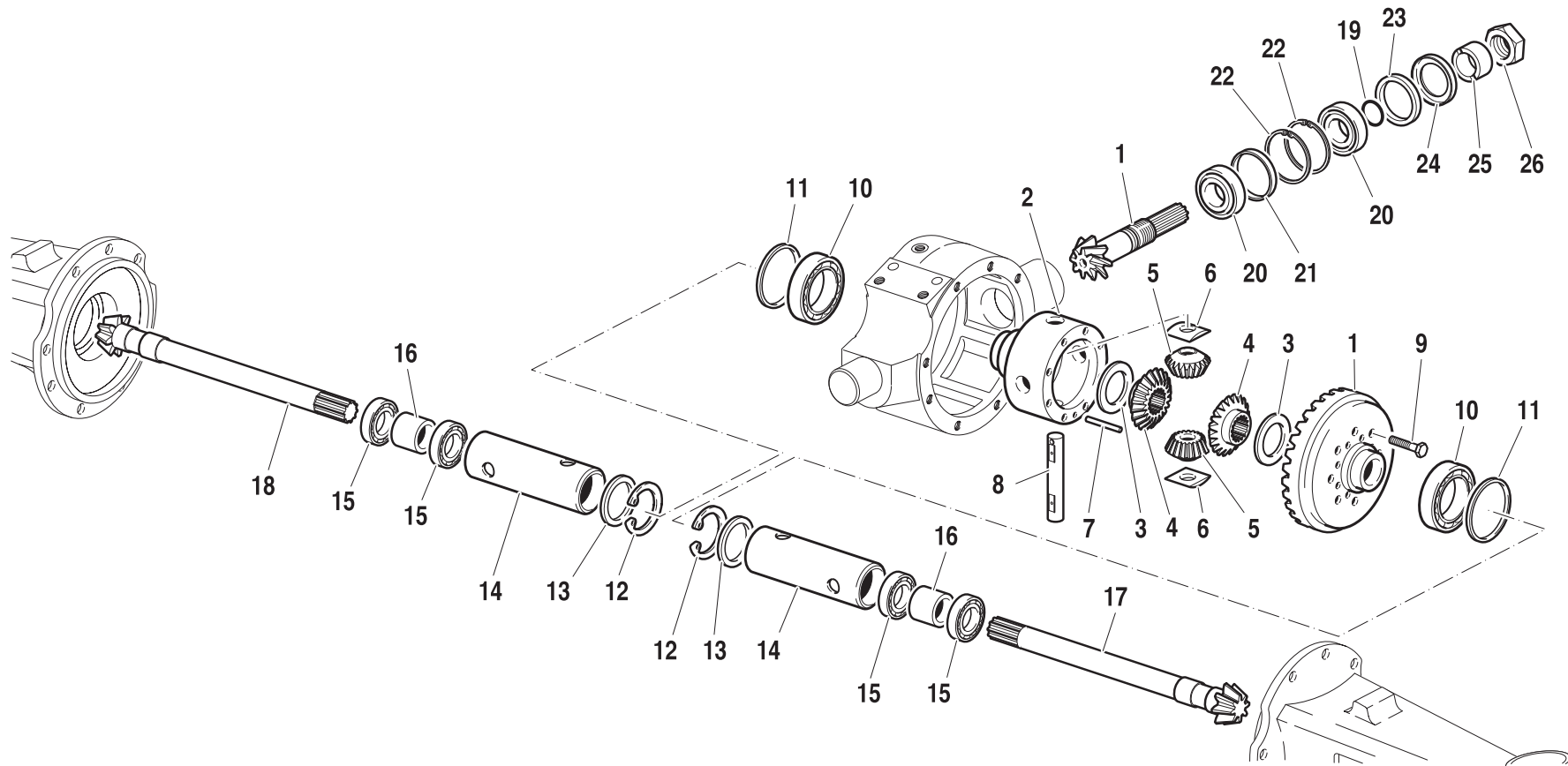
SERIAL

REAR AXLE
Version: 30-40CV

CODE REV

C.03.01_1_20449

FRONT TRANSMISSION



Pos.	Code	Q.ty	Description	Notes
1	59373532	0	BEVEL GEAR	
2	52373530	0	HOUSING	
3	F0490290064	0	THRUST PLATE	
4	F0150023096	0	CROWN WHEEL Z=16	
5	F0490287042	0	PLANETARY GEAR	
6	F0490289027	0	THRUST PLATE	
7	56371994	0	PIN	
8	56473513	0	PIN	
9	F0862654000	0	SCREW M8X1,25/25	
10	37111390	0	BEARING	
11	56371582	0	RING	
11	56371583	0	RING	
11	56371584	0	RING	
11	56371585	0	RING	
11	56371586	0	RING	
12	F0801368010	0	SEEGER RING I 52 UNI 7438	
13	F0850100000	0	SHIM 41x51/0,2	
13	F0850100005	0	SHIM 40,2x51,8/1	
13	F0850100010	0	SHIM 41x51/0,3	
13	F0850100020	0	SHIM 41x51/0,5	
14	56176279	1	SPACER	
15	37111255	1	BEARING	
16	56176278	1	SPACER	
17	52473394	0	AXLE SHAFT	
18	52473395	0	AXLE SHAFT	
19	F0803195000	0	O-RING 3081	
20	F0812705000	0	BEARING 32005	
21	F0844525000	0	SPACER D.47x38,3/4	
22	F0801342005	0	SEEGER RING I 47 UNI 7438	
23	F0802186000	0	SEAL 40x55/8	
24	52173317	0	PROTECTIVE RING D=55	
25	56473528	0	SPACER	
26	56373568	0	RING NUT	

SERIAL
START
903717

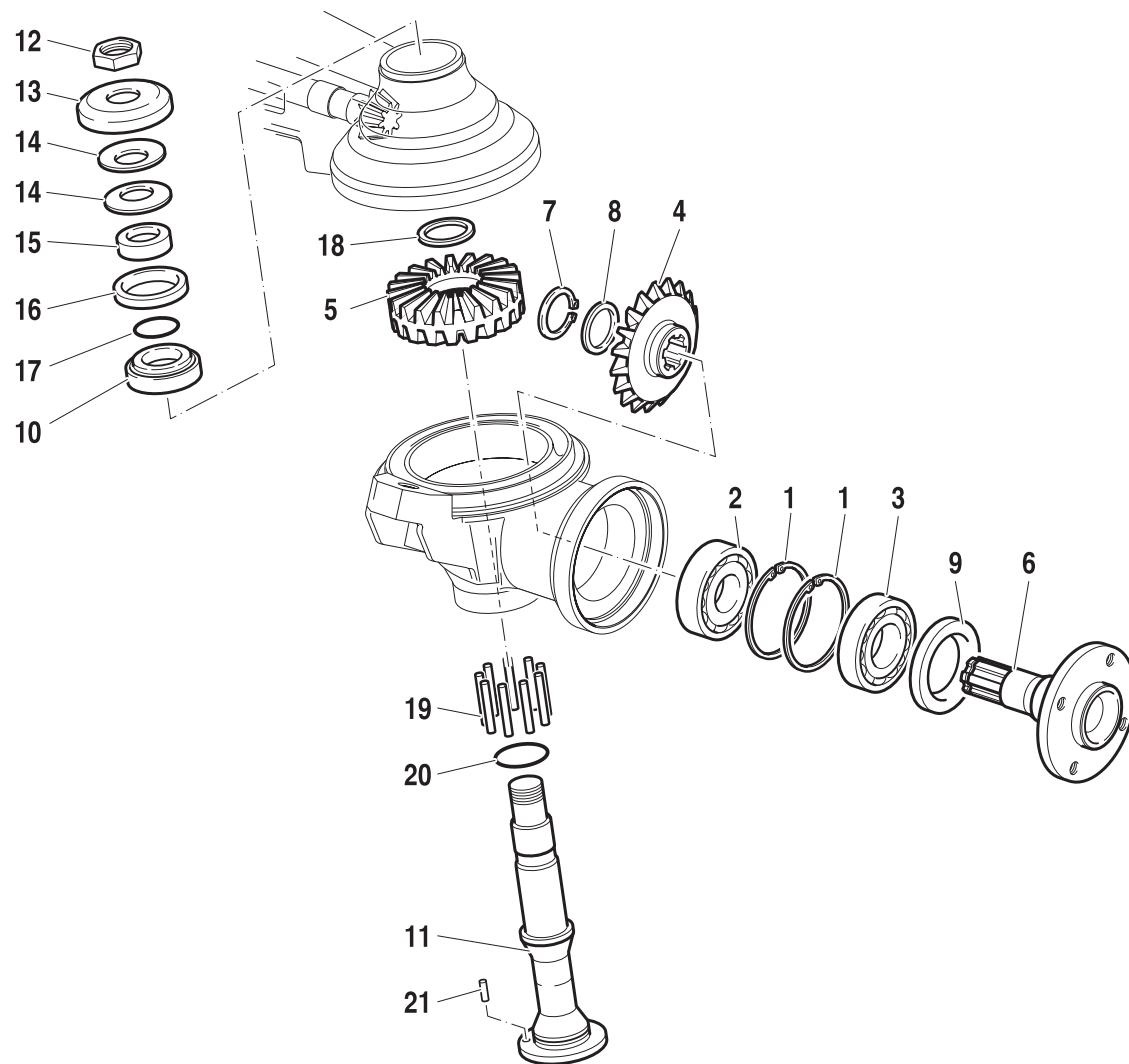
FRONT TRANSMISSION

Version: 30-40CV

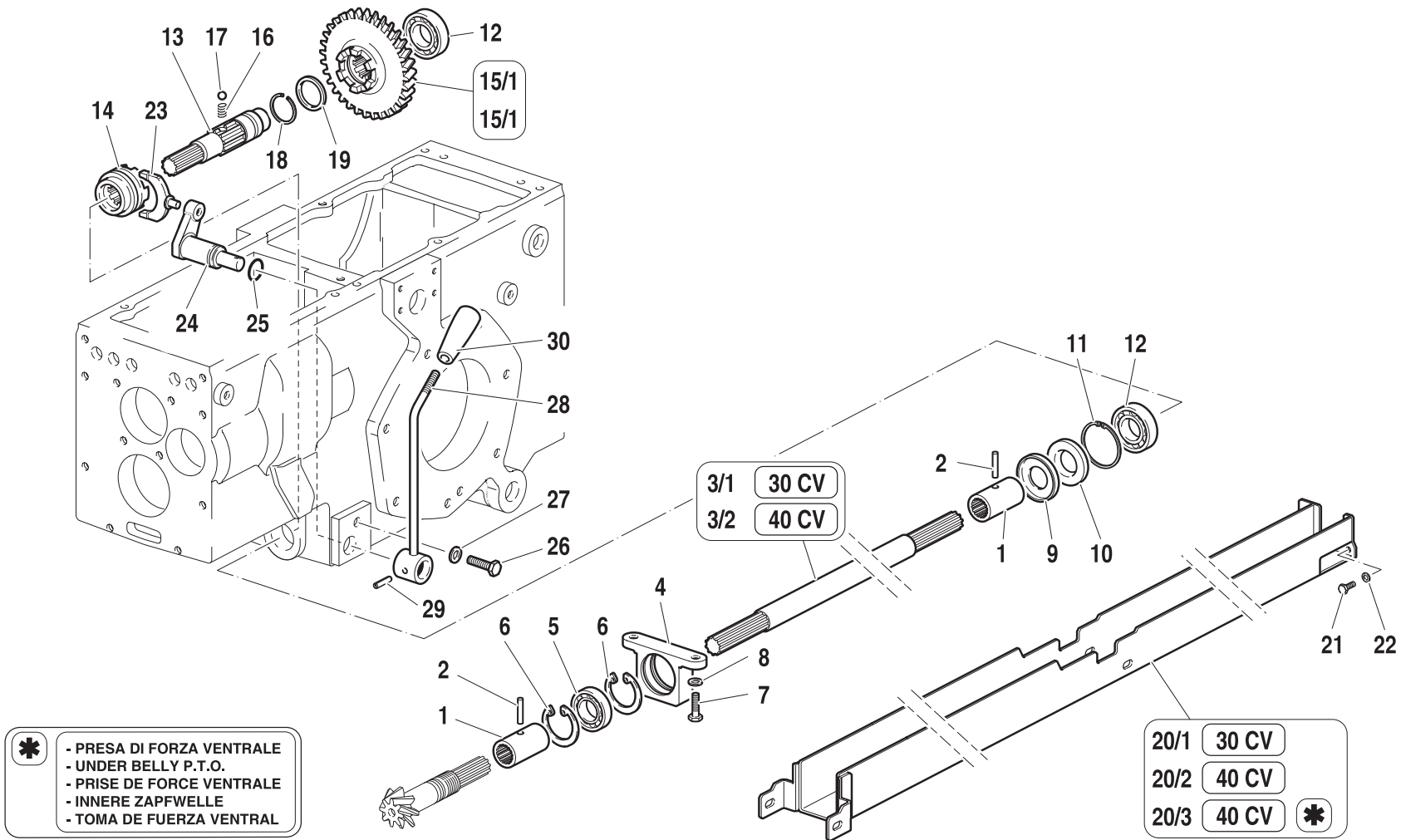
CODE REV

D.01.01_2_22170

TRANSMISSION TO THE FRONT WHEEL HUB



Pos.	Code	Q.ty	Description	Notes
1	35111072	1	SEEGER RING I 72 DIN 472	
2	37111303	1	BEARING	
3	37111353	1	BEARING	
4	52473457	1	BEVEL RING GEAR	
5	52473463	1	DOUBLE GEAR	
6	52473456	1	FLANGE	
7	F0801241010	1	SEEGER RING E 30 UNI 7436	
8	56373464	1	SHIM	
8	56373561	1	SHIM	
8	56373562	1	SHIM	
9	F0802205060	1	SEAL 45x72/10	
10	F0812747000	1	BEARING 32006X (30x55x17)	
11	56473458	1	AXLE SHAFT	
12	56374191	1	RING NUT	
13	F0150023130	1	DUST GUARD	
14	F0831835000	1	CUP SPRING	
15	F0150023129	1	SPACER	
16	F0802186000	1	SEAL 40x55/8	
17	38112982	1	O-RING	
18	F0844470030	1	WASHER 30,0x41,8/4,25	
19	F0812797010	1	ROLLER D5x41,8 G2A	
20	38114070	1	O-RING	
21	F0851127000	1	PIN 4X12 DIN 1481 CL:C72	



Pos.	Code	Q.ty	Description	Notes
1	56473601	1	SLEEVE	
2	F0851191000	1	PIN 5X32 DIN 1481	
3/1	56573602	1	SHAFT	
3/2	56573580	1	SHAFT	
4	51173489	1	SHAFT RETAINER	
5	F0812704000	1	BEARING 6005-2RS (25x47x12)	
6	35111047	1	SEEGER RING I 47 DIN 472	
7	31112150	1	SCREW TE M8X20 UNI 5739 8G	
8	F0843643060	1	WASHER 8	
9	56173490	1	PROTECTIVE RING D=52	
10	F0802100050	1	SEAL 25x52/7	
11	35111052	1	SEEGER RING I 52 DIN 472	
12	F0812707000	1	BEARING 6205 (25/52/15)	
13	52473787	1	TRANSMISSION SHAFT	
14	52473786	1	SLIDING SLEEVE	
15/1	59978062	1	GEARS SET	
15/2	52474176	1	GEAR	
16	58070741	1	SPRING	
17	F0847434000	1	BALL	
18	F0801241025	1	RETAINING RING	
19	56471654	1	SHIM	
20/1	59073325	1	GUARD	
20/2	59073607	1	GUARD	
20/3	59075624	1	GUARD	
21	31112082	1	SCREW TE M6X12 UNI 5739 8G	
22	F0843605010	1	WASHER 6	
23	52472430	1	SELECTOR FORK	
24	52373294	1	LEVER	
25	38111191	1	O-RING 115 (11,91X2,62)	
26	56373618	1	SPECIAL SCREW	
27	F0843754080	1	COPPER WASHER 10,5x16/1,5	
28	59073630	1	LEVER	
29	34211054	1	ROLL PIN	
30	F0837534010	1	GRIP	

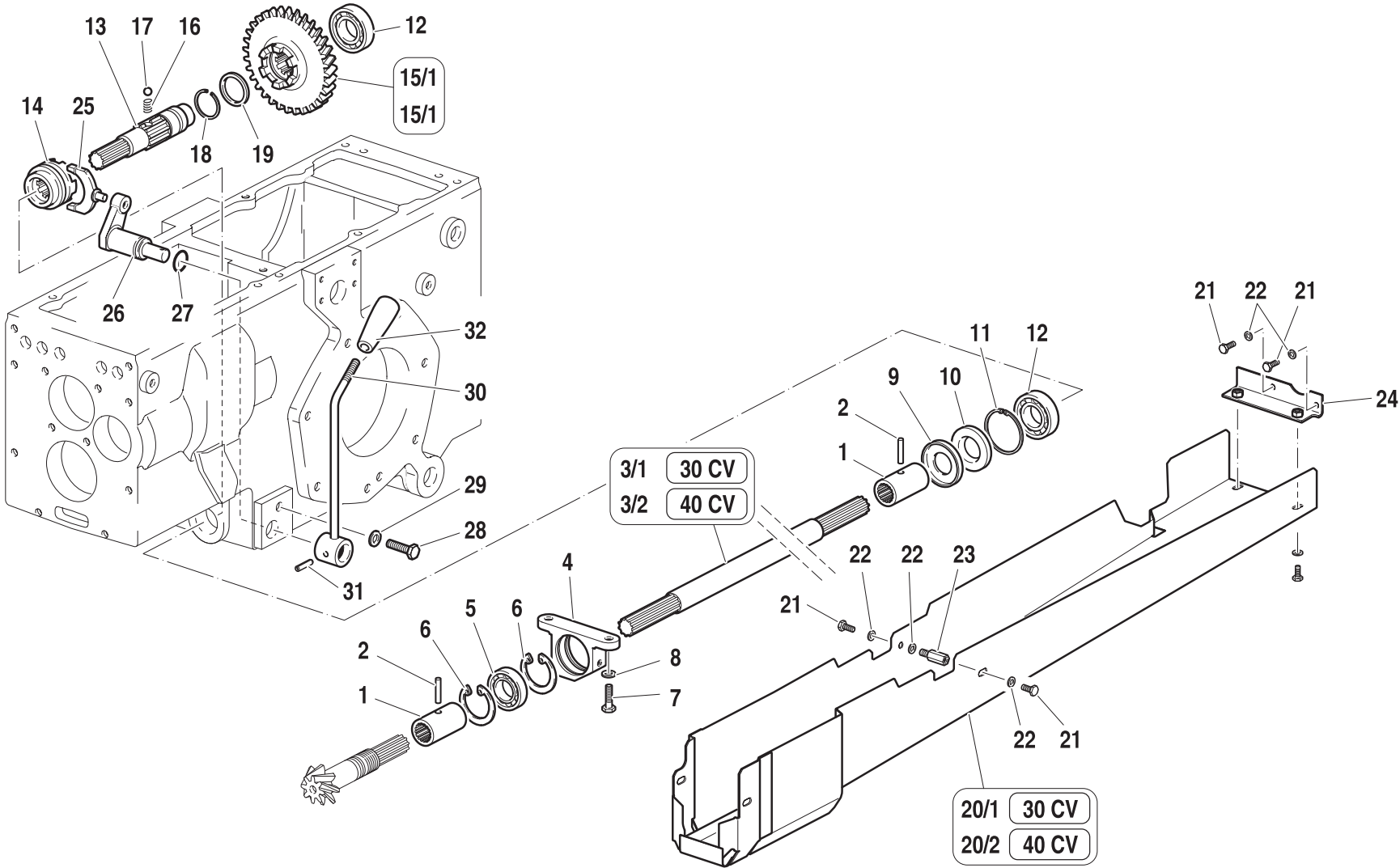
SERIAL

FRONT DRIVE
Version: 30-40CV

CODE REV

D.03.01_1_20524

FRONT DRIVE (FRONT P.T.O. VERSION)



Pos.	Code	Q.ty	Description	Notes
1	56473601	1	SLEEVE	
2	F0851191000	1	PIN 5X32 DIN 1481	
3/1	56573602	1	SHAFT	
3/2	56573580	1	SHAFT	
4	51175399	1	SHAFT RETAINER	
5	F0812696000	1	BEARING 61805-2RS 25X37X7	
6	35111037	1	SEEGER RING I 37 DIN 472	
7	31112150	1	SCREW TE M8X20 UNI 5739 8G	
8	F0843643060	1	WASHER 8	
9	56173490	1	PROTECTIVE RING D=52	
10	F0802100050	1	SEAL 25x52/7	
11	35111052	1	SEEGER RING I 52 DIN 472	
12	F0812707000	1	BEARING 6205 (25/52/15)	
13	52473787	1	TRANSMISSION SHAFT	
14	52473786	1	SLIDING SLEEVE	
15/1	59978062	1	GEARS SET	
15/2	52474176	1	GEAR	
16	58070741	1	SPRING	
17	F0847434000	1	BALL	
18	F0801241025	1	RETAINING RING	
19	56471654	1	SHIM	
20/1	59075410	1	SHIELD	
20/2	59075400	1	SHIELD	
21	31112082	1	SCREW TE M6X12 UNI 5739 8G	
22	F0843605010	1	WASHER 6	
23	56176004	1	SMALL COLUMN	
24	59075408	1	PLATE	
25	52472430	1	SELECTOR FORK	
26	52373294	1	LEVER	
27	38111191	1	O-RING 115 (11,91X2,62)	
28	56373618	1	SPECIAL SCREW	
29	F0843754080	1	COPPER WASHER 10,5x16/1,5	
30	59073630	1	LEVER	
31	34211054	1	ROLL PIN	

SERIAL

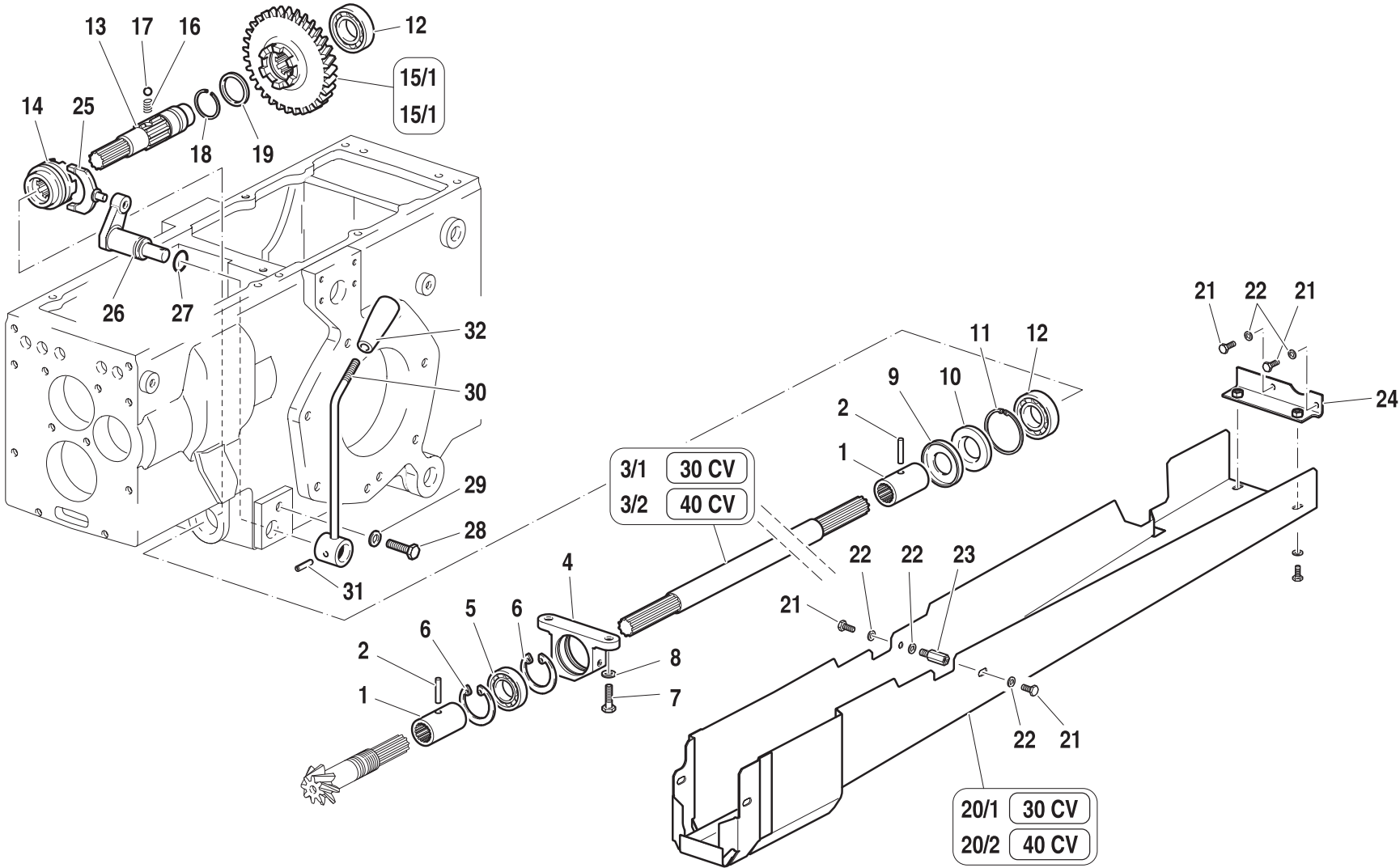
FRONT DRIVE (FRONT P.T.O. VERSION)

Version: 30-40CV

CODE REV

D.03.02_1_20559

FRONT DRIVE (FRONT P.T.O. VERSION)



Pos.	Code	Q.ty	Description	Notes
32	F0837534010	1	GRIP	

SERIAL

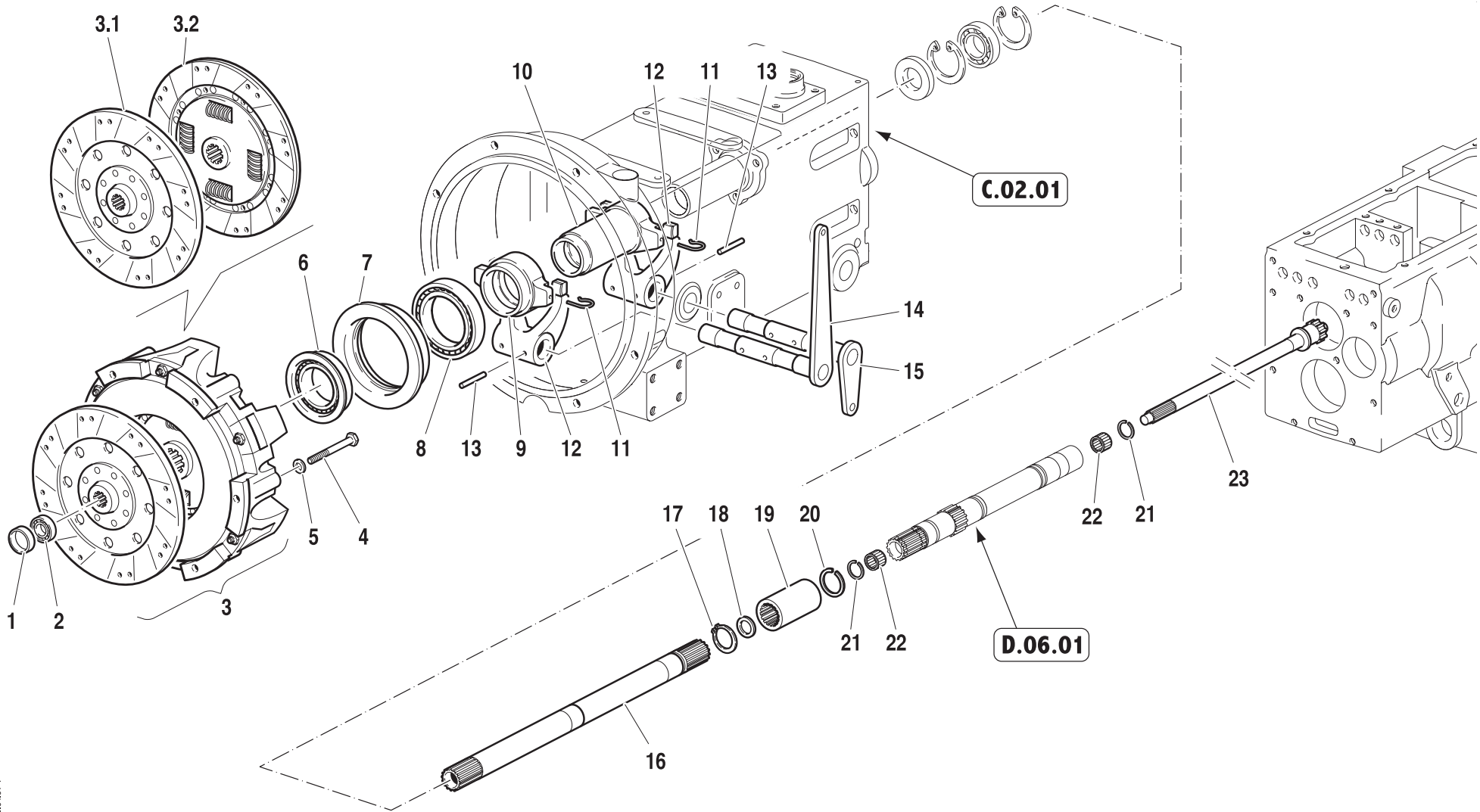
FRONT DRIVE (FRONT P.T.O. VERSION)

Version: 30-40CV

CODE REV

D.03.02_1_20559

CLUTCH



Pos.	Code	Q.ty	Description	Notes
1	56173468	1	SPACER	
2	F0812523050	1	BEARING 6201-2RS	
3	58173469	1	CLUTCH	
3.1	58174508	1	CLUTCH DISC	
3.2	58174509	1	CLUTCH DISC	
4	31111163	1	SCREW TE M8X85 UNI 5737 8G	
5	F0843643060	1	WASHER 8	
6	58176980	1	BEARING	
7	52473487	1	RING	
8	F0813000000	1	BEARING 6013-2RS	
9	51173486	1	SLEEVE	
10	51173485	1	SLEEVE	
11	58173483	1	SPRING	
12	52373484	1	FORK	
13	F0851293000	1	PIN 6X45 DIN 7343 CL:C72	
14	59073309	1	LEVER	
15	59073316	1	COMMAND LEVER	
16	56573467	1	SHAFT	
17	F0801241000	1	SEEGER RING E 30 UNI 7435	
18	58073488	1	OIL SEAL	
19	56473465	1	SLEEVE	
20	F0800056050	1	CIRCLIP B28 UNI 7433	
21	F0801156050	1	SAFETY RING	
22	F0812578050	1	ROLLER CAGE 17x21/13	
23	56573299	1	SHAFT	

SERIAL

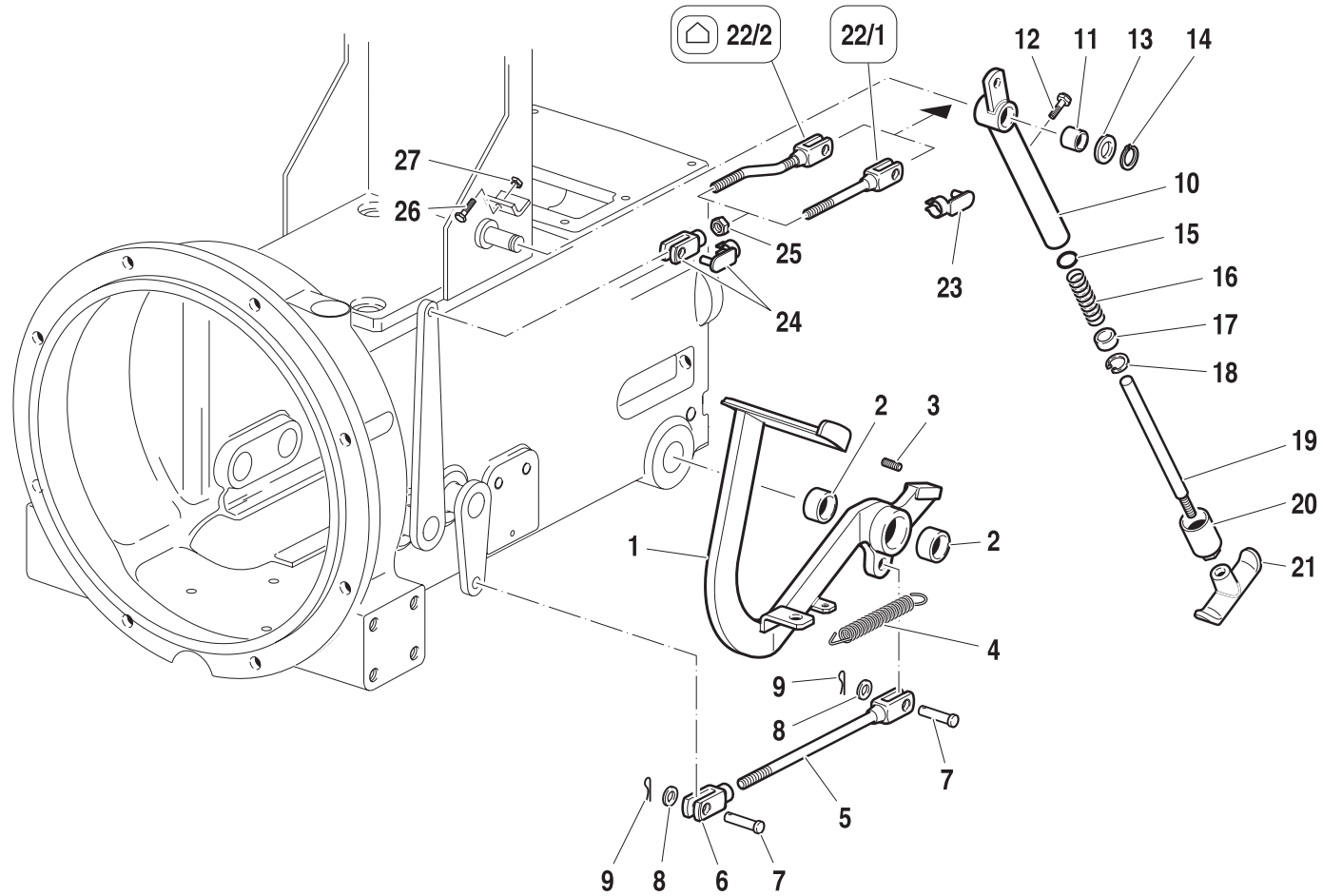
CLUTCH
Version: 30-40CV

CODE REV

D.04.01_1_20595

CLUTCH CONTROLS

☑ - VERSIONE CON CABINA
- CAB VERSION
- VERSION AVEC CABINE
- KABINENAUSFÜHRUNG
- VERSION CON CABINA



Pos.	Code	Q.ty	Description	Notes
1	59073624	1	CLUTCH PEDAL	
2	58173248	1	BUSHING	
3	56373628	1	PIN	
4	58070790	1	RESTORING SPRING	
5	59073279	1	ROD	
6	F0860091010	1	FORK	
7	56470365	1	PIN	
8	31411105	1	WASHER 10,5x21	
9	F0810510000	1	SPLIT PIN A2,0X20 UNI 1336	
10	59073305	1	COMMAND LEVER	
11	F0804051000	1	BUSHING 18X14/24,8	
12	F0862601000	1	SPECIAL SCREW M8	
13	31411150	1	WASHER 15x28	
14	35121014	1	SEEGER RING E 14 DIN 471	
15	F0803067000	1	O-RING 2075 (18,77X1,78)	
16	F0831146000	1	SPRING DM.12,5X1,5/45	
17	F0843809020	1	WASHER 10,25x16/4	
18	35111018	1	SEEGER RING I 18 UNI 7437	
19	F0150036363	1	ROD	
20	F0150036364	1	BUSHING	
21	F0837554000	1	GRIP	
22/1	59073304	1	ROD	
22/2	59075546	1	ROD	
23	F0860058020	1	PIN	
24	F0860060000	1	COMPLETE FORK	
25	F0814569000	1	NUT M8 UNI 5589 CL:8	
26	31112090	1	SCREW TE M6X16 UNI 5739 8G	
27	F0814535050	1	NUT M6	

SERIAL

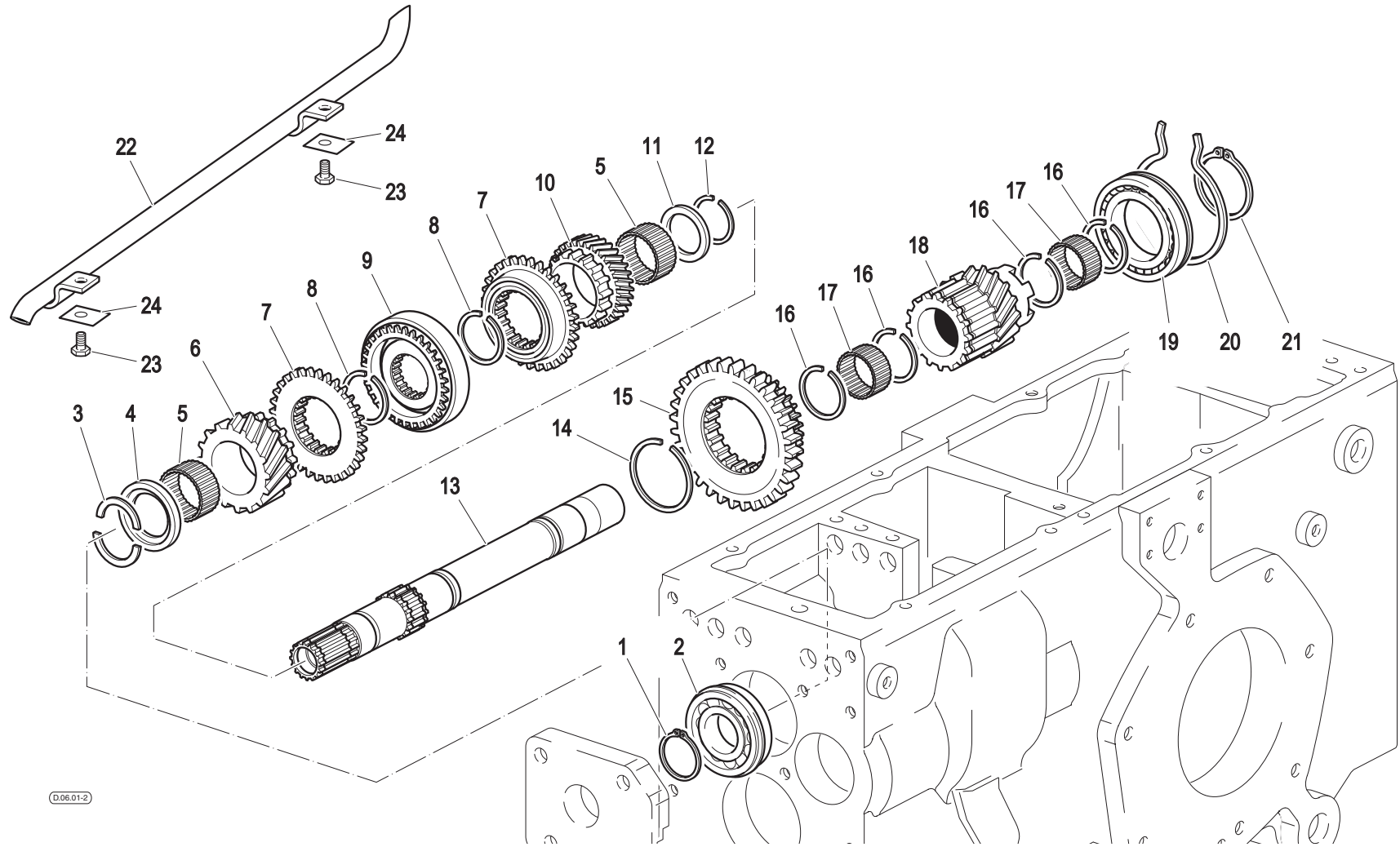
CLUTCH CONTROLS

Version: 30-40CV

CODE REV

D.05.01_1_20621

INPUT SHAFT AND GEARS (SYNCHRONIZED REVERSER)



D.06.01-2

Pos.	Code	Q.ty	Description	Notes
1	F0801241010	1	SEEGER RING E 30 UNI 7436	
2	F0812750000	1	BEARING 6206-NR (30X62/16)	
3	56371440	2	HALF RING	
4	56471441	1	SHIM	
5	F0812737000	2	ROLLER CAGE K 30X35/27	
6	52475919	1	GEAR	
7	52475921	2	RING	
8	F0801266050	2	SAFETY RING	
9	58175939	1	LOCK SYNCHRONIZER	
10	52475918	1	DRIVEN GEAR	
11	56471654	1	SHIM	
12	F0801241025	1	RETAINING RING	
13	52476392	1	SHAFT	
14	F0801346200	1	SAFETY RING	
15	52474173	1	SLIDING GEAR	
16	F0801266000	4	SAFETY RING	
17	F0812736010	2	ROLLER CAGE K 30X35/20 H	
18	52474419	1	GEAR	
19	50974166	1	BEARING	
20	58073788	1	SEEGER RING	
21	F0801331050	1	SEEGER RING E 45 UNI 7436	
22	59075936	1	PIPE	
23	31111090	2	SCREW TE M5X10 UNI 5739 8G	
24	31450060	2	SMALL PLATE	

SERIAL
START
900124

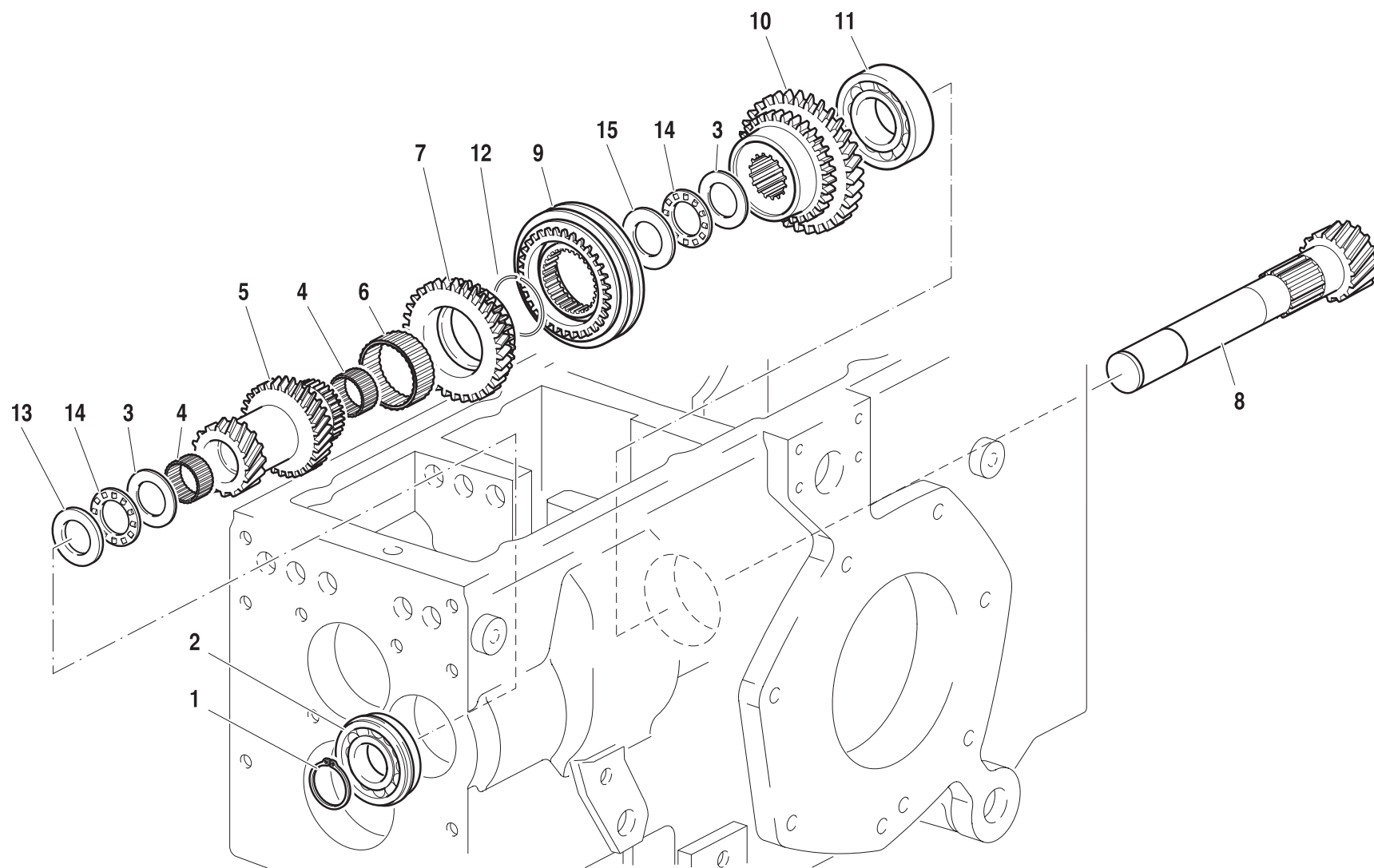
INPUT SHAFT AND GEARS (SYNCHRONIZED REVERSER)

Version: 30-40CV

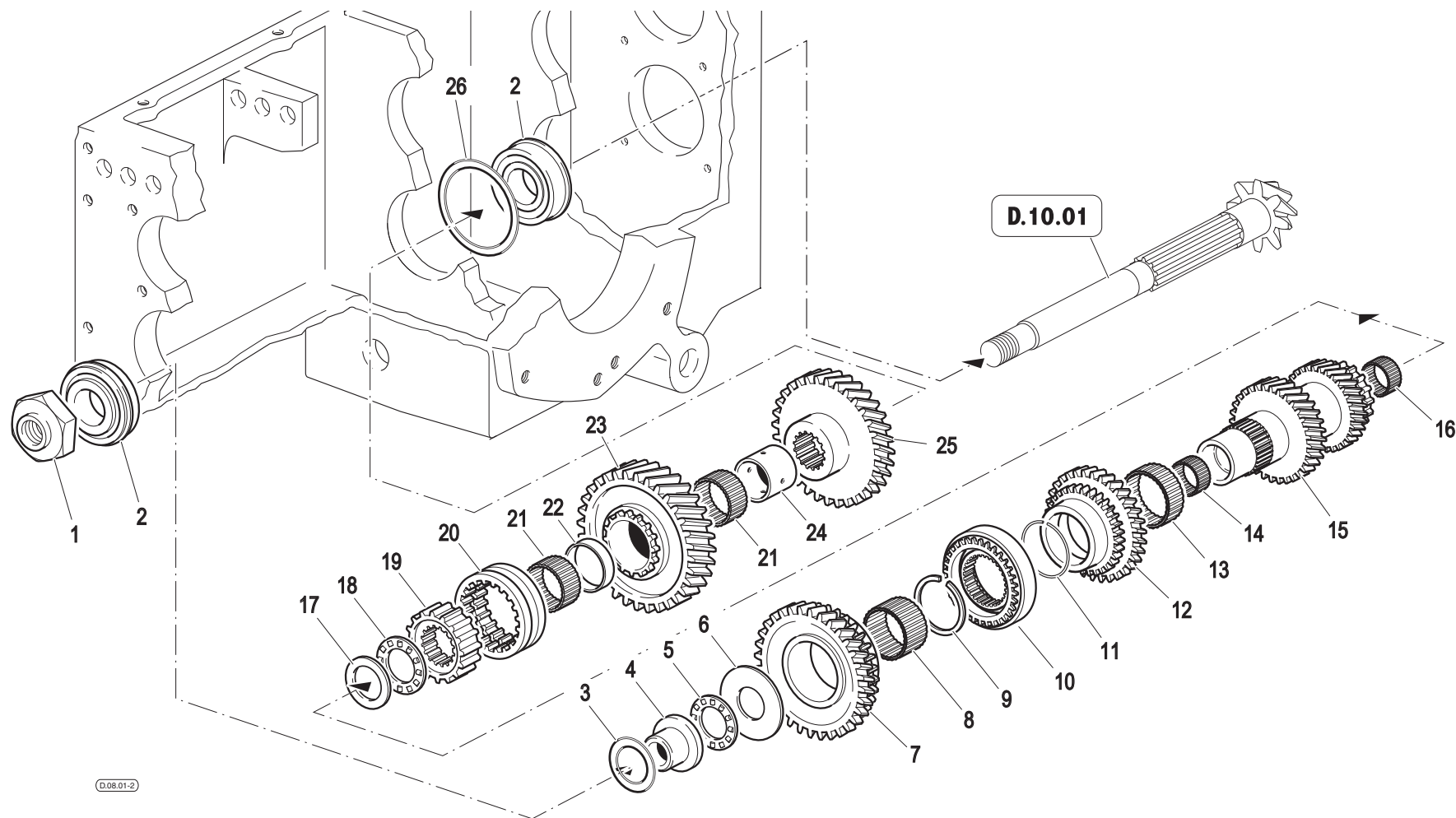
CODE REV

D.06.01_2_75280

RANGES DRIVING SHAFT AND GEARS



Pos.	Code	Q.ty	Description	Notes
1	35131026	1	SEEGER RING E 25X2 UNI 7436	
2	F0812709000	1	BEARING 6205-NR (25x52x15)	
3	58173792	1	THRUST PLATE	
4	F0812689000	1	ROLLER CAGE K 25X30/20 H	
5	52473713	1	GEAR	
6	F0812918050	1	ROLLER CAGE K 42X47/17	
7	52473719	1	GEAR	
8	52473722	1	DRIVE SHAFT	
9	58172571	1	LOCK SYNCHRONIZER	
10	52473720	1	GEAR	
11	37111299	1	BEARING	
12	58072505	1	SHOULDERED WASHER	
13	52473791	1	THRUST PLATE	
13	52473815	1	THRUST PLATE	
13	52474239	1	THRUST PLATE	
14	58173790	1	BEARING	
15	52473793	1	THRUST PLATE	



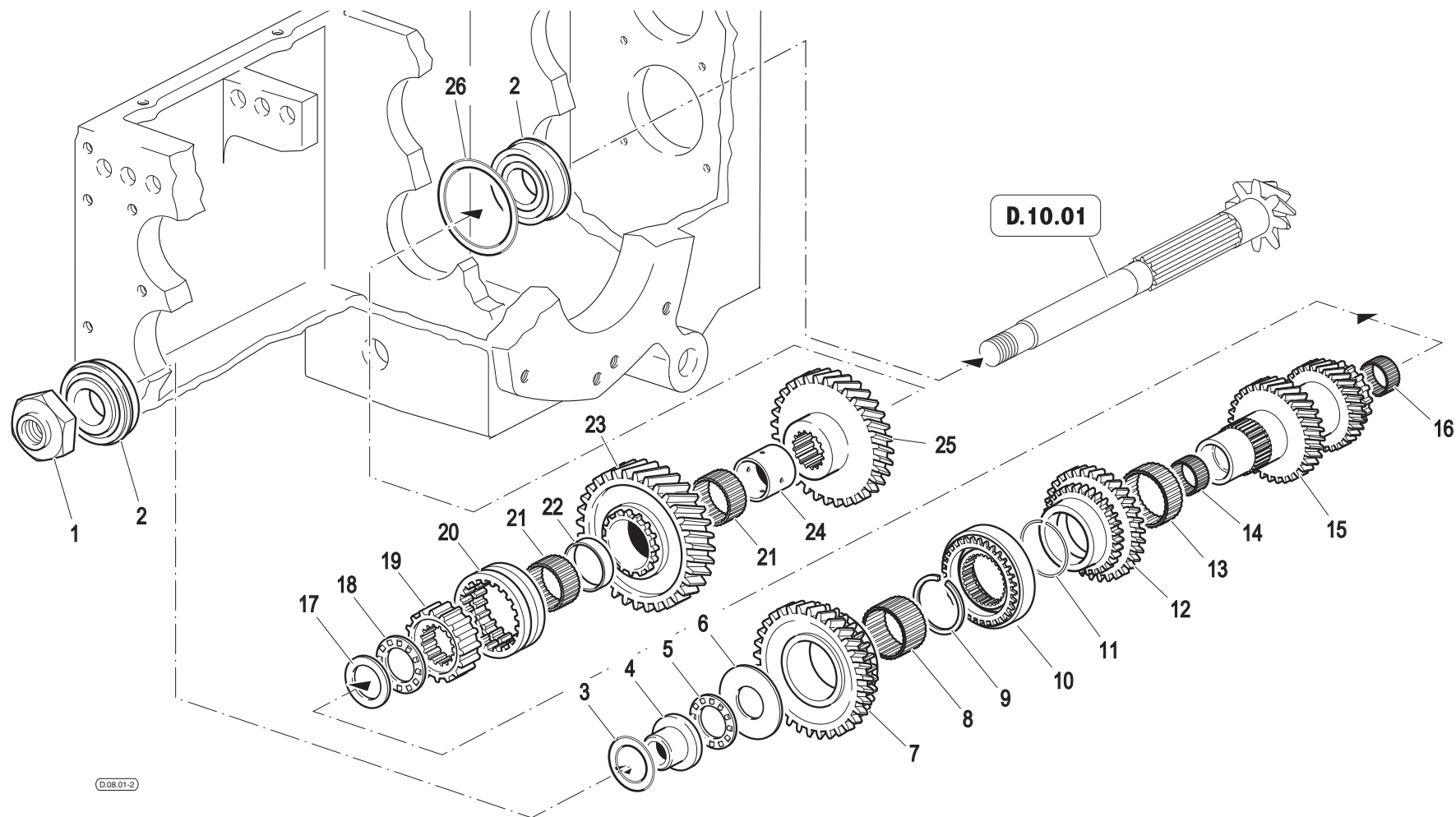
Pos.	Code	Q.ty	Description	Notes
1	56371652	1	NUT	
2	F0812810100	2	BEARING	
3	58024193	1	SHIM	
3	58024194	1	SHIM	
3	58024195	1	SHIM	
3	58024196	1	SHIM	
3	58074109	1	SHIM	
4	56471655	1	BUSHING	
5	58173790	1	BEARING	
6	52473789	1	THRUST PLATE	
6	52473812	1	THRUST PLATE	
6	52473813	1	THRUST PLATE	
7	52475922	1	DRIVEN GEAR	
8	F0812871070	1	ROLLER CAGE K 38X46/20 H	
9	F0801280100	1	SAFETY RING	
10	58175937	1	LOCK SYNCHRONIZER	
11	58072505	1	SHOULDERED WASHER	
12	52475920	1	DRIVEN GEAR	
13	F0812918050	1	ROLLER CAGE K 42X47/17	
14	F0812689000	1	ROLLER CAGE K 25X30/20 H	
15	52475935	1	DOUBLE GEAR	
16	F0812732080	1	ROLLER CAGE 27X34/17 H	
17	52473796	1	THRUST PLATE	
18	58173797	1	BEARING	
19	52473721	1	SLEEVE	
20	52471459	1	SLIDING SLEEVE	
21	F0812871030	1	ROLLER CAGE K 37X42/17	
22	56271457	1	SPACER	
23	52473726	1	DOUBLE GEAR	
24	56471461	1	BUSHING	
25	52474175	1	GEAR	
26	56371661	1	ADJUSTING RING	
26	56371662	1	ADJUSTING RING	
26	56371663	1	ADJUSTING RING	

SERIAL
START
900124

INGRANAGGI ALBERO SECONDARIO (INVERSO SINCROZZATO)

Version: 30-40CV

CODE REV
D.08.01_2_75308



Pos.	Code	Q.ty	Description	Notes
26	56371664	1	ADJUSTING RING	
26	56373440	1	ADJUSTING RING	

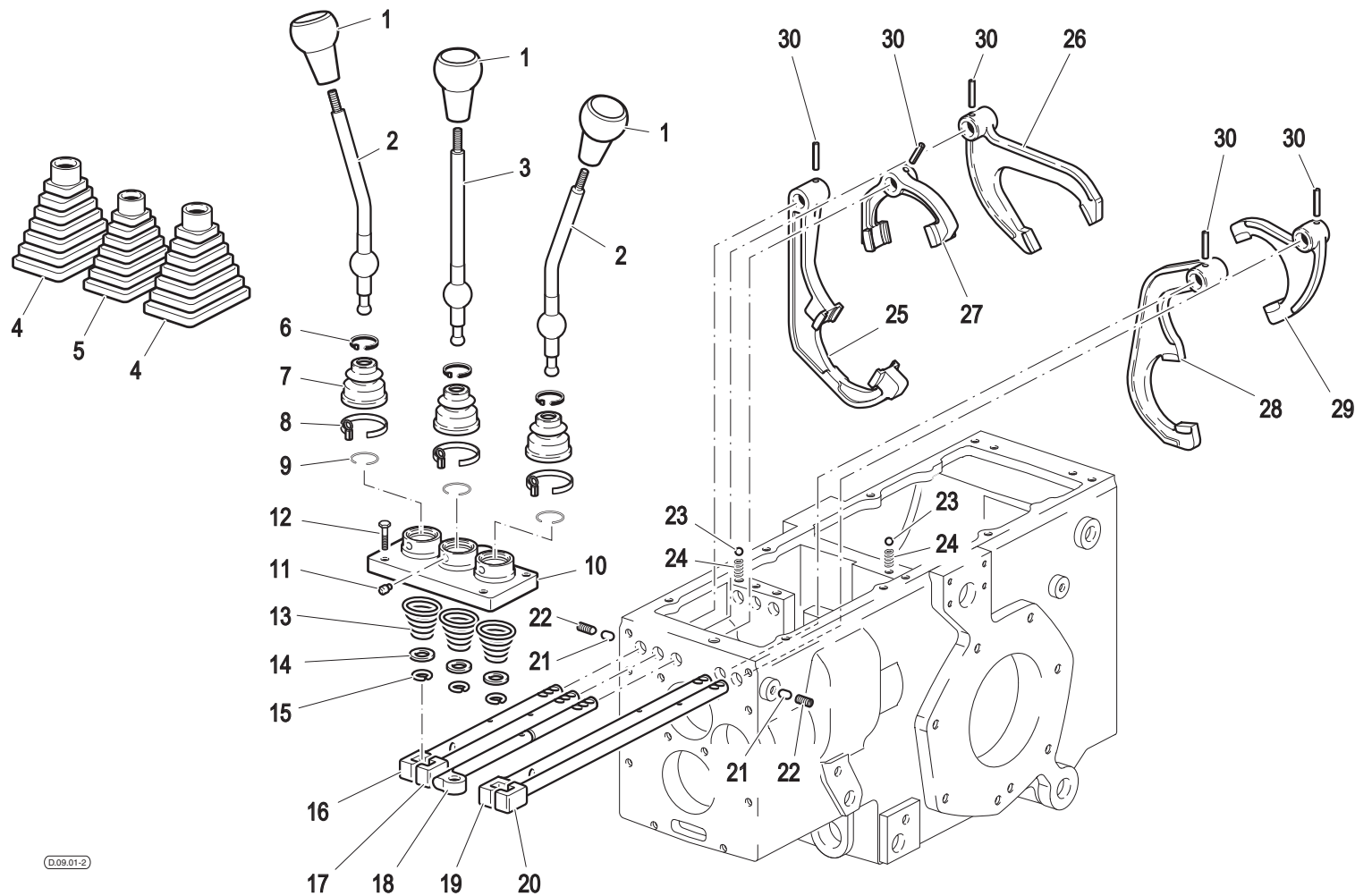
SERIAL
START
900124

INGRANAGGI ALBERO SECONDARIO (INVERSORE SINCRONIZZATO)

Version: 30-40CV

CODE REV
D.08.01_2_75308

GEAR CONTROLS (SYNCHR. REVERSE GEAR)



Pos.	Code	Q.ty	Description	Notes
1	58174192	1	HANDLE	
2	52374183	1	COMMAND LEVER	
3	52374182	1	COMMAND LEVER	
4	55174163	1	BELLOWS	
5	55174162	1	BELLOWS	
6	F0817640003	1	CLAMP 4,8x180	
7	55170053	1	CAP	
8	58170054	1	COLLAR	
9	58070169	1	LOCKRING	
10	51173472	1	COVER	
11	56370018	1	HINGE PIN	
12	F0862694000	1	SCREW M8X170 UNI 5737	
13	58070164	1	SPRING	
14	56370172	1	SPACER	
15	58070168	1	LOCKRING	
16	56373861	1	PULL ROD	
17	56373474	1	PULL ROD	
18	56376393	1	PULL ROD	
19	56373476	1	PULL ROD	
20	56373475	1	PULL ROD	
21	56571697	1	TOGGLE	
22	F0863183000	1	SCREW M10X16 UNI 5923	
23	F0847434000	1	BALL	
24	58070741	1	SPRING	
25	52275923	1	SELECTOR FORK	
26	52373240	1	SELECTOR FORK	
27	52275924	1	SELECTOR FORK	
28	51272405	1	SELECTOR FORK	
29	51271696	1	GEAR FORK	
30	F0851180000	1	PIN 5X26 DIN 1481 CL:C72	

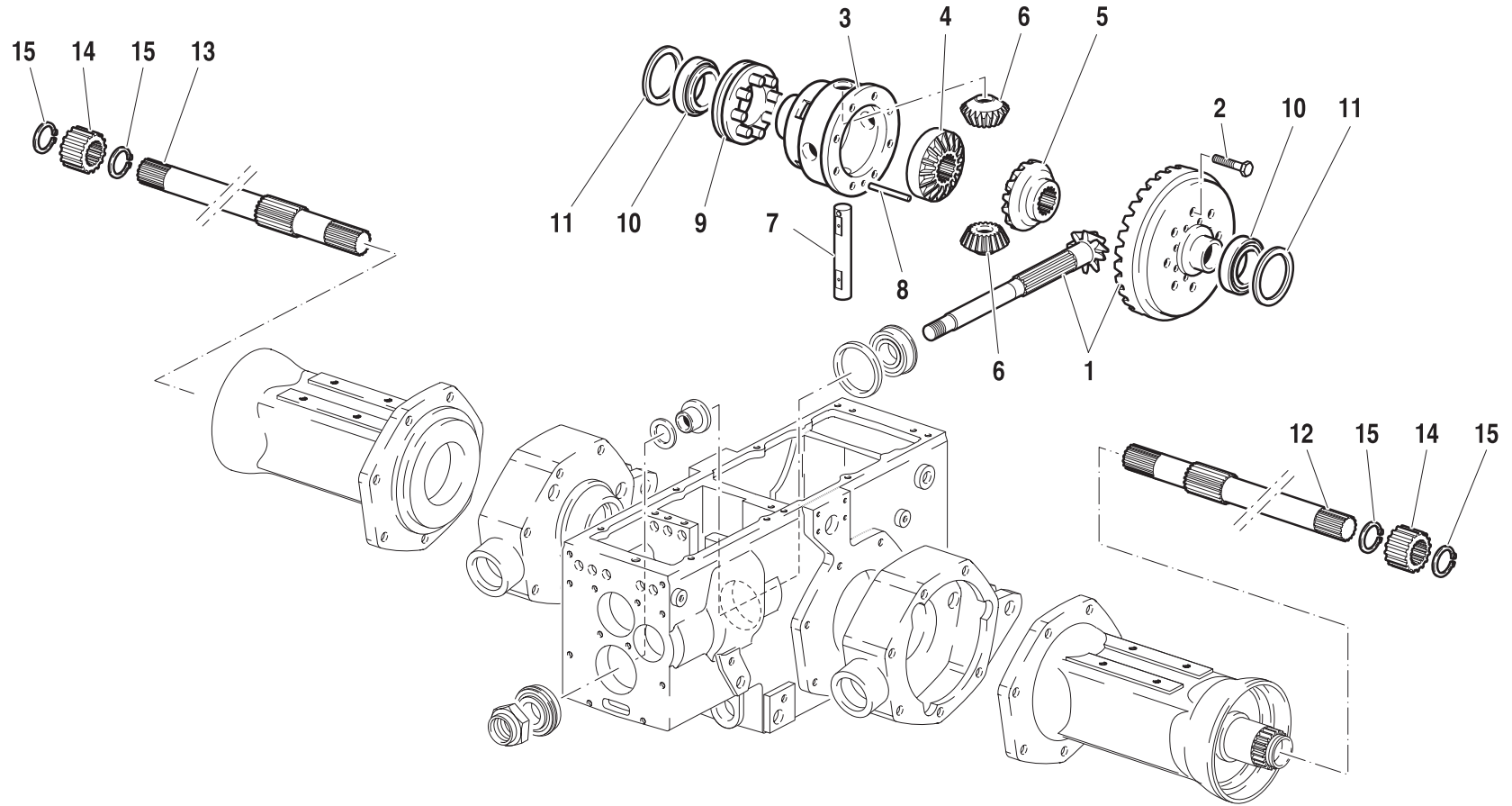
SERIAL
START
900124

GEAR CONTROLS (SYNCHR. REVERSE GEAR)

Version: 30-40CV

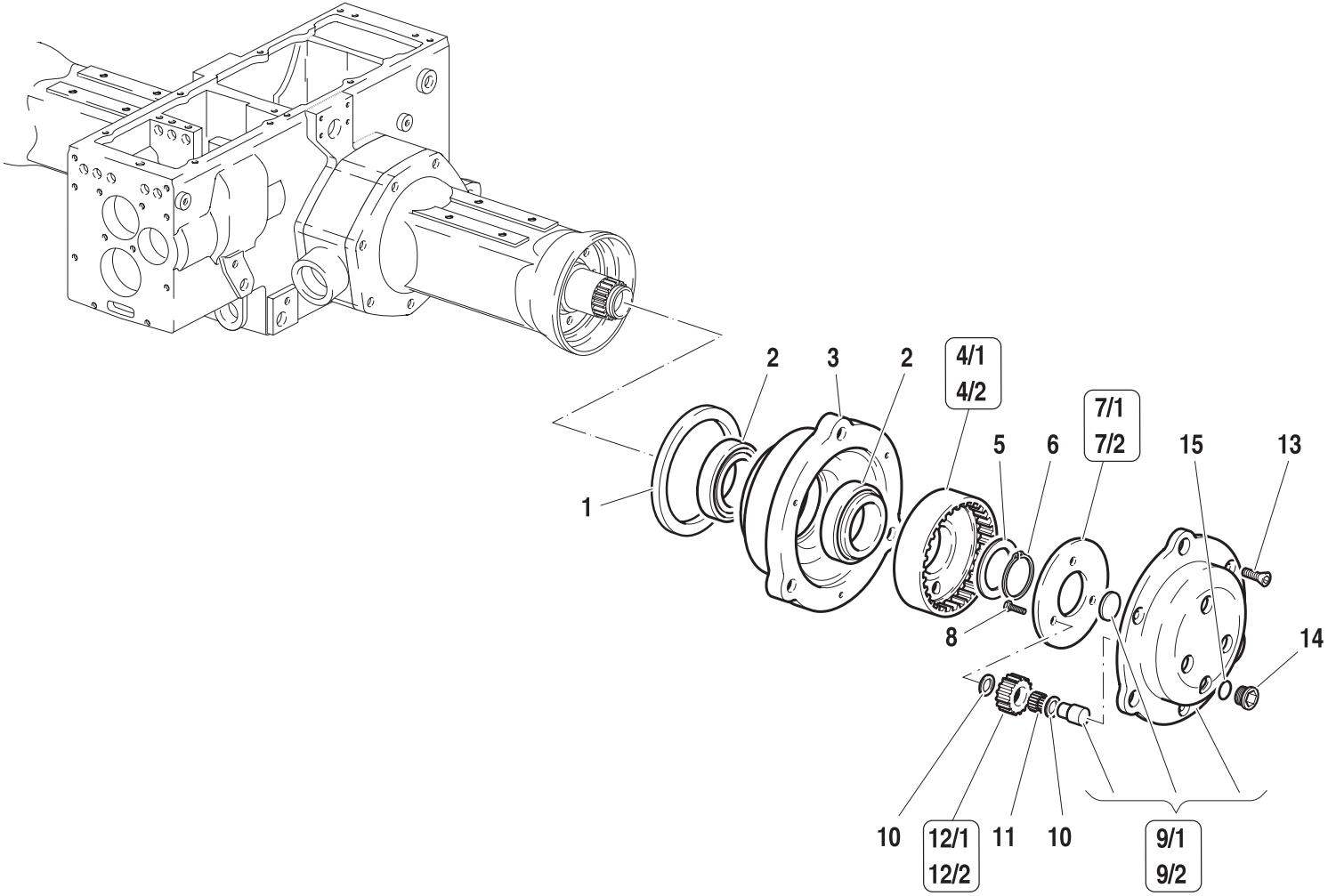
CODE REV

D.09.01_2_75346



Pos.	Code	Q.ty	Description	Notes
1	59373782	1	BEVEL GEAR	
2	F0863267050	1	SCREW M10x25	
3	51374866	1	HOUSING	
4	52471516	1	CROWN WHEEL	
5	52471513	1	CROWN WHEEL	
6	52471509	1	PLANETARY GEAR	
7	56471508	1	PIN	
8	56371994	1	PIN	
9	59071518	1	SLEEVE	
10	F0812895000	1	BEARING 32008 (40X68X19)	
11	56371582	1	RING	
11	56371583	1	RING	
11	56371584	1	RING	
11	56371585	1	RING	
11	56371586	1	RING	
12	52572605	1	REAR AXLE SHAFT	
13	52572606	1	REAR AXLE SHAFT	
14	52473922	1	CROWN WHEEL	
15	F0801175050	1	SEEGER RING E 24X1,75 UNI 7436	

EPYCICLIC REDUCTION GEAR



Pos.	Code	Q.ty	Description	Notes
1	F0802700150	1	SEAL 125x150x12	
2	F0812973000	1	BEARING 32011X	
3	51172508	1	HUB	
4/1	52471533	1	CROWN WHEEL	
4/2	52473920	1	CROWN WHEEL	
5	56371575	1	SHIM	
5	56371576	1	SHIM	
5	56371577	1	SHIM	
5	56371578	1	SHIM	
5	56371579	1	SHIM	
5	56373349	1	SHIM	
5	56373350	1	SHIM	
6	F0801346000	1	SEEGER RING E 48 UNI 7436	
7/1	56171568	1	ADJUSTING RING	
7/2	56173919	1	ADJUSTING RING	
8	F0862090000	1	SCREW M6X16 8.8	
9/1	59273878	1	COVER	
9/2	59273944	1	COVER	
10	58171567	1	SHIM	
11	58171653	1	ROLLER	
12/1	52471531	1	PLANETARY GEAR	
12/2	52473921	1	PLANETARY GEAR	
13	F0862655000	1	SCREW M8X25-5933	
14	56370081	1	PLUG	
15	F0844273090	1	GASKET 22X28X1,5 CU 99,5	

SERIAL

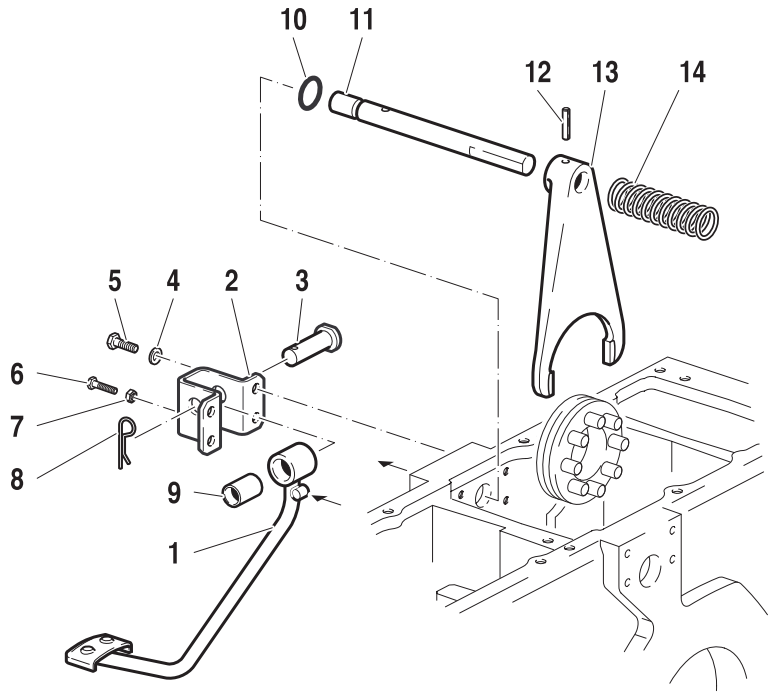
EPYCLIC REDUCTION GEAR

Version: 30-40CV

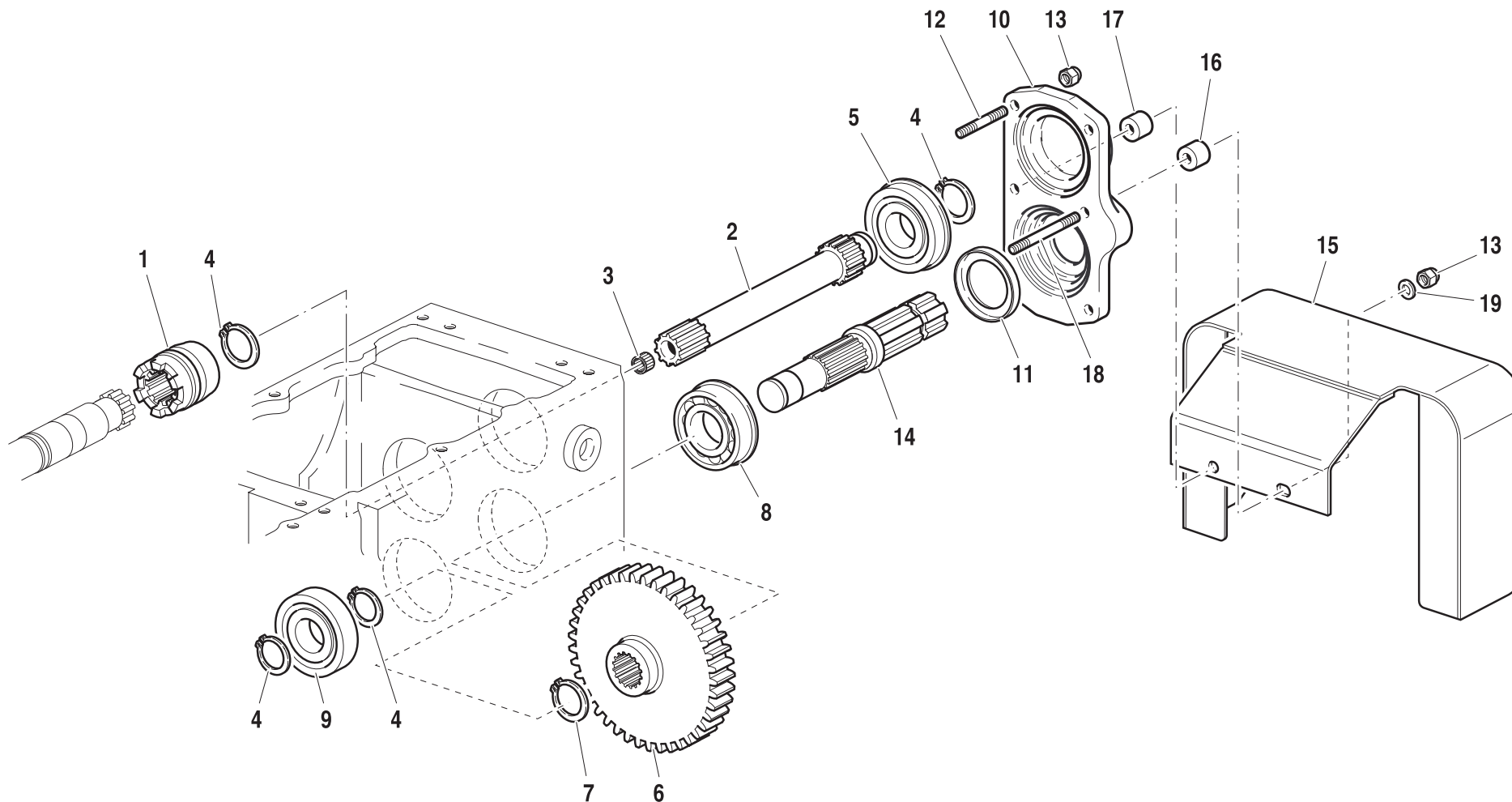
CODE REV

D.11.01_1_20782

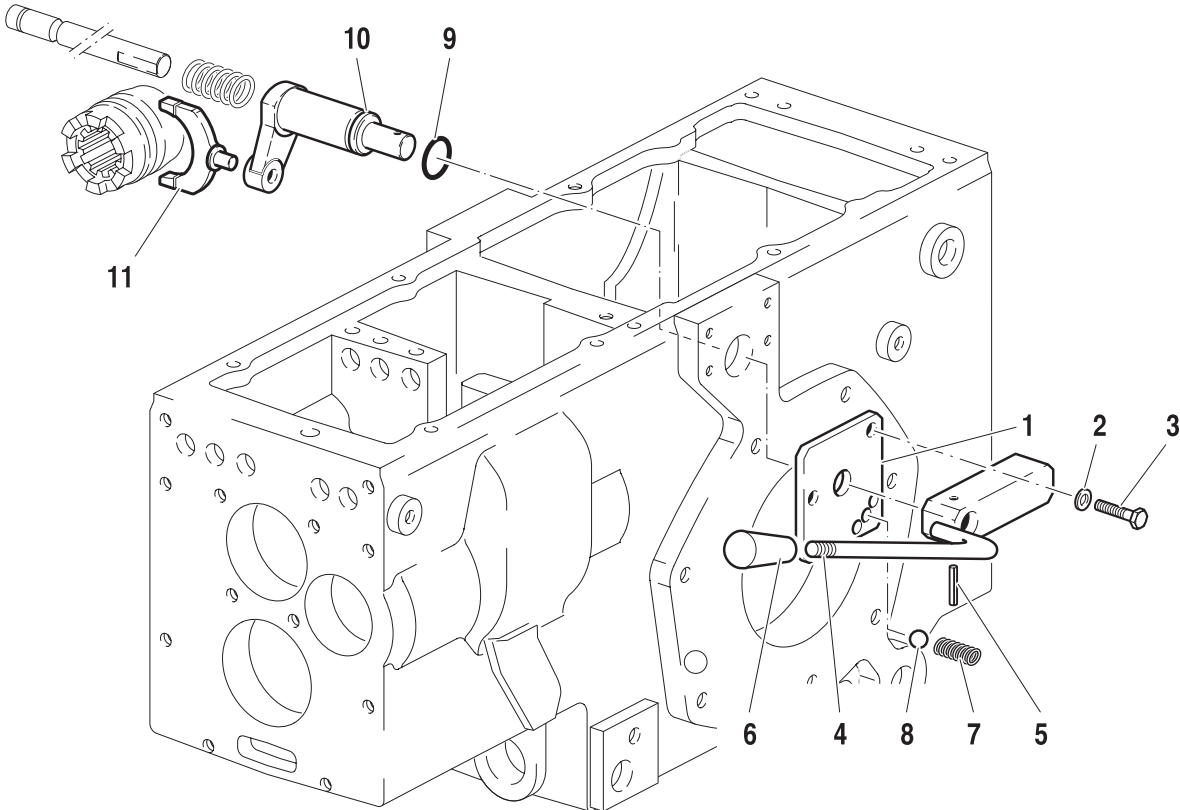
DIFFERENTIAL GEAR LOCK



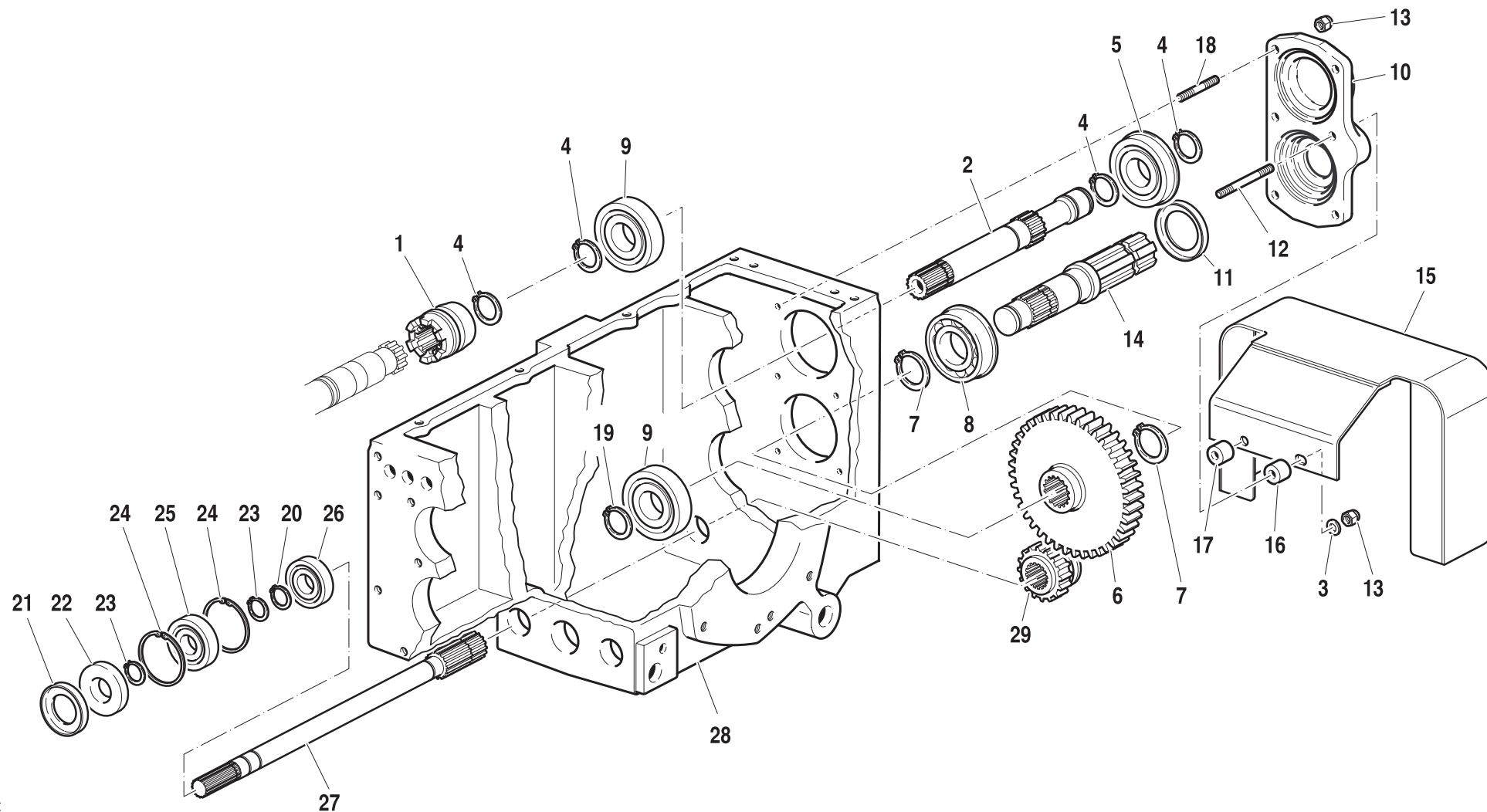
Pos.	Code	Q.ty	Description	Notes
1	59071808	1	PEDAL	
2	59071809	1	U BOLT	
3	56371810	1	HINGE PIN	
4	F0843643060	1	WASHER 8	
5	31111151	1	SCREW TE M8X16 UNI 5739 8G	
6	31112093	1	SCREW TE M6X20 UNI 5739 8G	
7	F0814535050	1	NUT M6	
8	F0810527000	1	SPLIT PIN A2,5X25 UNI 1336	
9	F0804051000	1	BUSHING 18X14/24,8	
10	F0803178000	1	O-RING 117	
11	56371646	1	LOCKING DEVICE	
12	F0851267050	1	PIN 6X30 DIN 7343 CL:C72	
13	51271647	1	FORK	
14	58070198	1	SPRING	



Pos.	Code	Q.ty	Description	Notes
1	52474190	1	GEAR SLEEVE	
2	52472933	1	PTO SHAFT	
3	F0812525100	1	BUSHING HK1210-B	
4	35121030	1	SEEGER RING E 30 DIN 471	
5	F0812779000	1	BEARING 6306-NR	
6	52474123	1	DRIVEN GEAR	
7	F0801264050	1	SEEGER RING E 35X2,5 U/7436	
8	F0812849100	1	BEARING 6207-NR	
9	37111303	1	BEARING	
10	51171648	1	COVER	
11	F0802190010	1	SEAL 42x62/7	
12	F0838131000	1	STUD BOLT M8X20 UNI 5911 8.8	
13	F0814574000	1	NUT M8	
14	52472662	1	SHAFT	
15	59075077	1	P.T.O. PROTECTION	
16	56172079	1	SPACER	
17	56172080	1	SPACER	
18	F0838166018	1	STUD BOLT M8X45 UNI 5911 8.8	
19	F0843643060	1	WASHER 8	



Pos.	Code	Q.ty	Description	Notes
1	59072754	1	PLATE	
2	F0843643060	1	WASHER 8	
3	31112150	1	SCREW TE M8X20 UNI 5739 8G	
4	59072761	1	LEVER	
5	34211054	1	ROLL PIN	
6	F0837534010	1	GRIP	
7	58070741	1	SPRING	
8	F0847434000	1	BALL	
9	38112200	1	O-RING 3087 (22,00X2,62)	
10	52371679	1	LEVER	
11	52472430	1	SELECTOR FORK	



Pos.	Code	Q.ty	Description	Notes
1	52474190	1	GEAR SLEEVE	
2	52474110	1	PTO SHAFT Z=13	
3	F0843643060	1	WASHER 8	
4	35121030	1	SEEGER RING E 30 DIN 471	
5	F0812779000	1	BEARING 6306-NR	
6	52474123	1	DRIVEN GEAR	
7	F0801264050	1	SEEGER RING E 35X2,5 U/7436	
8	F0812849100	1	BEARING 6207-NR	
9	37111303	1	BEARING	
10	51171648	1	COVER	
11	F0802190010	1	SEAL 42x62/7	
12	F0838131000	1	STUD BOLT M8X20 UNI 5911 8.8	
13	F0814574000	1	NUT M8	
14	52474112	1	P.T.O. STUB	
15	59072076	1	P.T.O. PROTECTION	
16	56172079	1	SPACER	
17	56172080	1	SPACER	
18	F0838166018	1	STUD BOLT M8X45 UNI 5911 8.8	
19	F0801241010	1	SEEGER RING E 30 UNI 7436	
20	F0801149000	1	SEEGER RING E 20 UNI 7435	
21	56173490	1	PROTECTIVE RING D=52	
22	38212200	1	OIL SEAL 20x52/10	
23	F0801149010	1	SEEGER RING E 20 7436D/471-2	
24	F0801368000	1	SEEGER RING I 52 UNI 7437	
25	F0812646000	1	BEARING 6304 SF (20x52x15)	
26	F0812638075	1	BEARING NUP 204 (20X47/14)	
27	52474113	1	PTO SHAFT	
28	51174121	1	GEAR BOX	
29	52474111	1	DRIVEN GEAR	

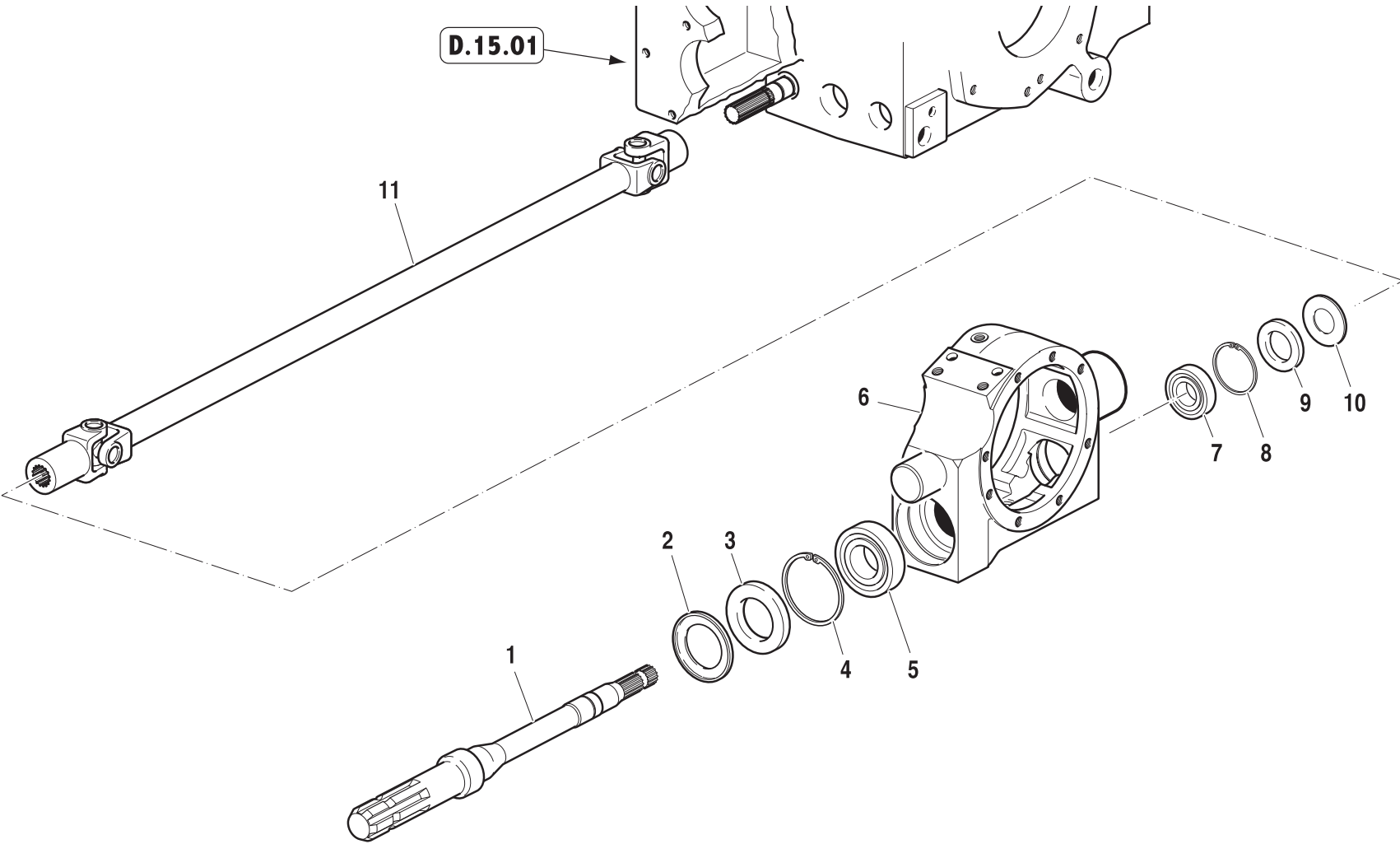
SERIAL

UNDER BELLY P.T.O.

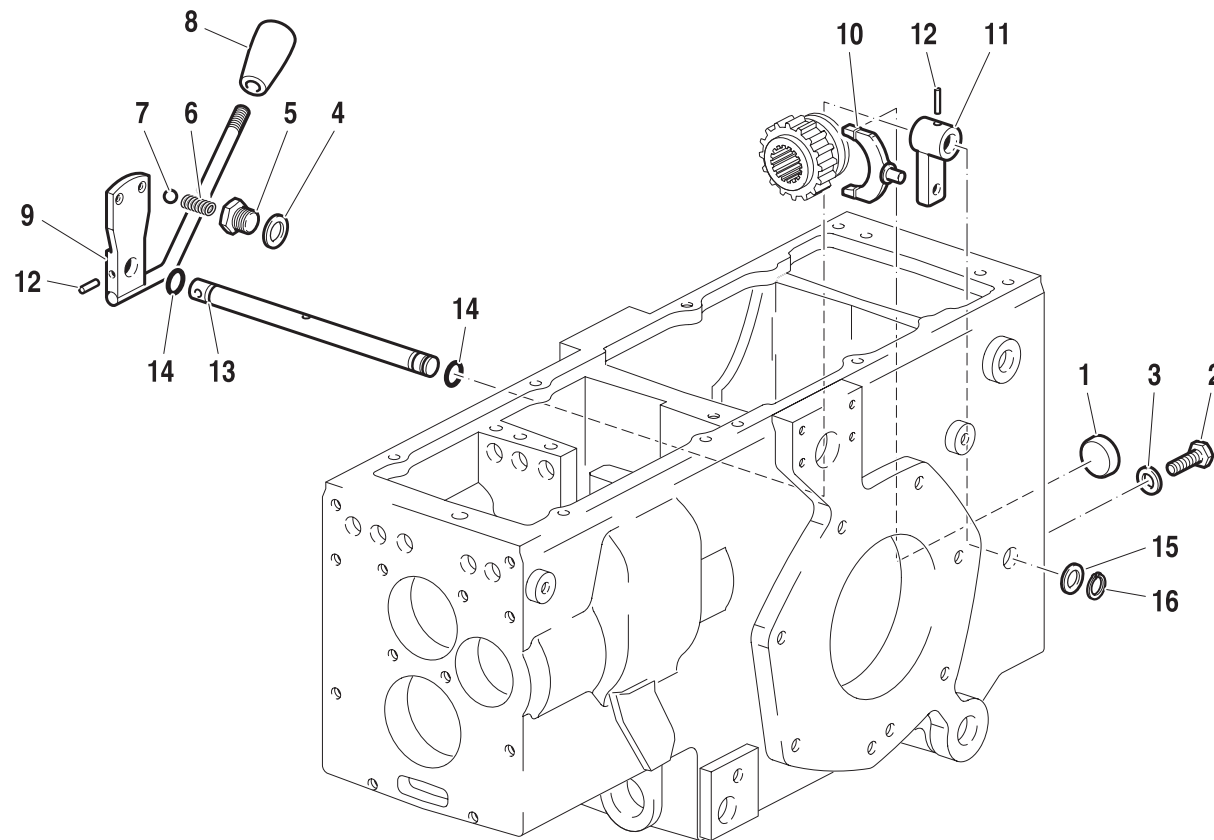
Version: 30-40CV

CODE REV

D.15.01_1_20855



Pos.	Code	Q.ty	Description	Notes
1	56275339	1	SHAFT	
2	56175342	1	PROTECTIVE RING D=72	
3	F0802205060	1	SEAL 45x72/10	
4	35111072	1	SEEGER RING I 72 DIN 472	
5	37111353	1	BEARING	
6	51175172	1	FRONT AXLE HOUSING	
7	37111255	1	BEARING	
8	35111052	1	SEEGER RING I 52 DIN 472	
9	F0802100050	1	SEAL 25x52/7	
10	56173490	1	PROTECTIVE RING D=52	
11	58176080	1	CONSTANT VEL. JOINT	



Pos.	Code	Q.ty	Description	Notes
1	58074125	1	PLUG	
2	31112212	1	SCREW TE M10X35 UNI 5739	
3	F0843754080	1	COPPER WASHER 10,5x16/1,5	
4	F0844126050	1	COPPER WASHER	
5	56174116	1	CASING	
6	58070741	1	SPRING	
7	F0847434000	1	BALL	
8	F0837534060	1	GRIP	
9	59076044	1	LEVER	
10	52472430	1	SELECTOR FORK	
11	59074118	1	LEVER	
12	F0851190000	1	PIN 5X30 DIN 1481 CL:C72	
13	56174117	1	ROD	
14	F0803059000	1	O-RING 114	
15	31411150	1	WASHER 15x28	
16	35121014	1	SEEGER RING E 14 DIN 471	

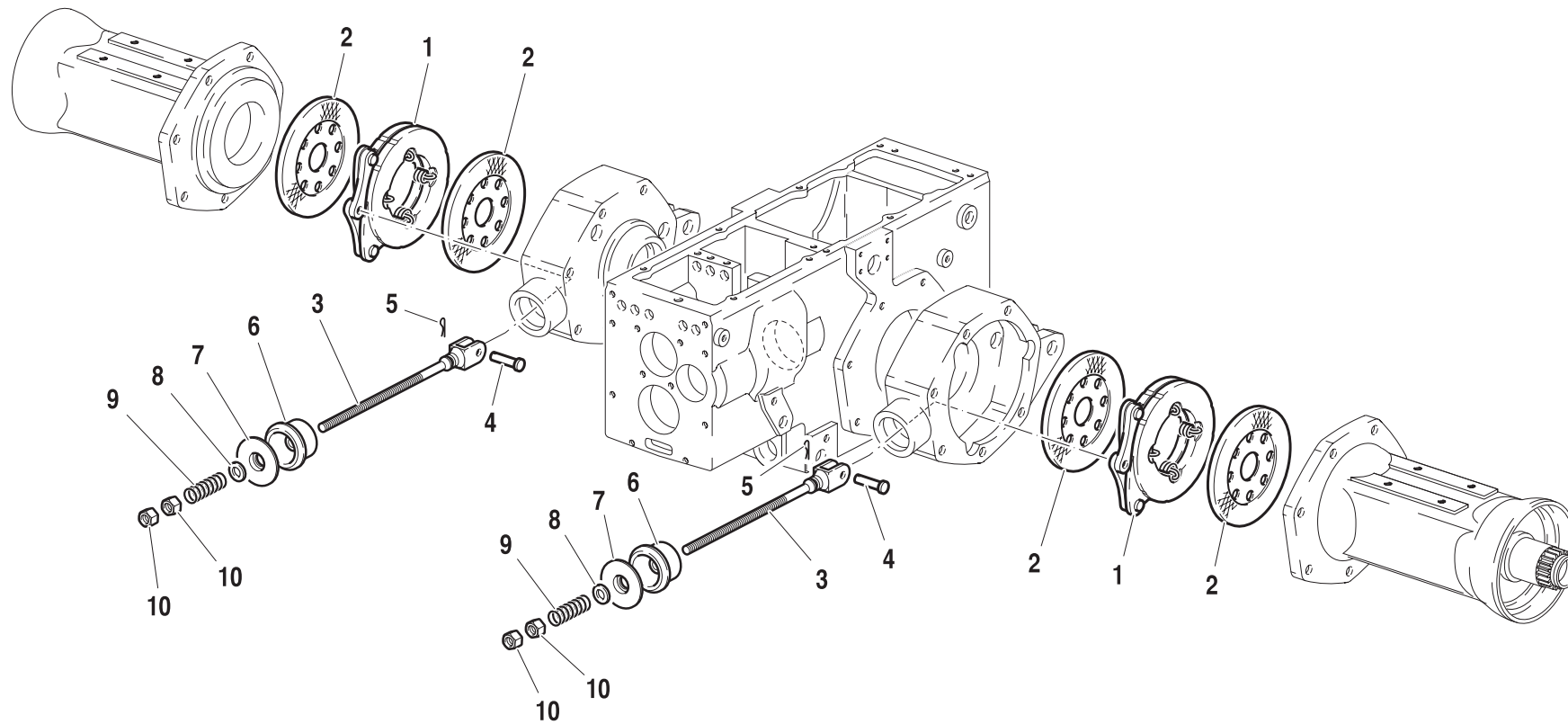
SERIAL

UNDER BELLY P.T.O. / FRONT P.T.O. CONTROLS

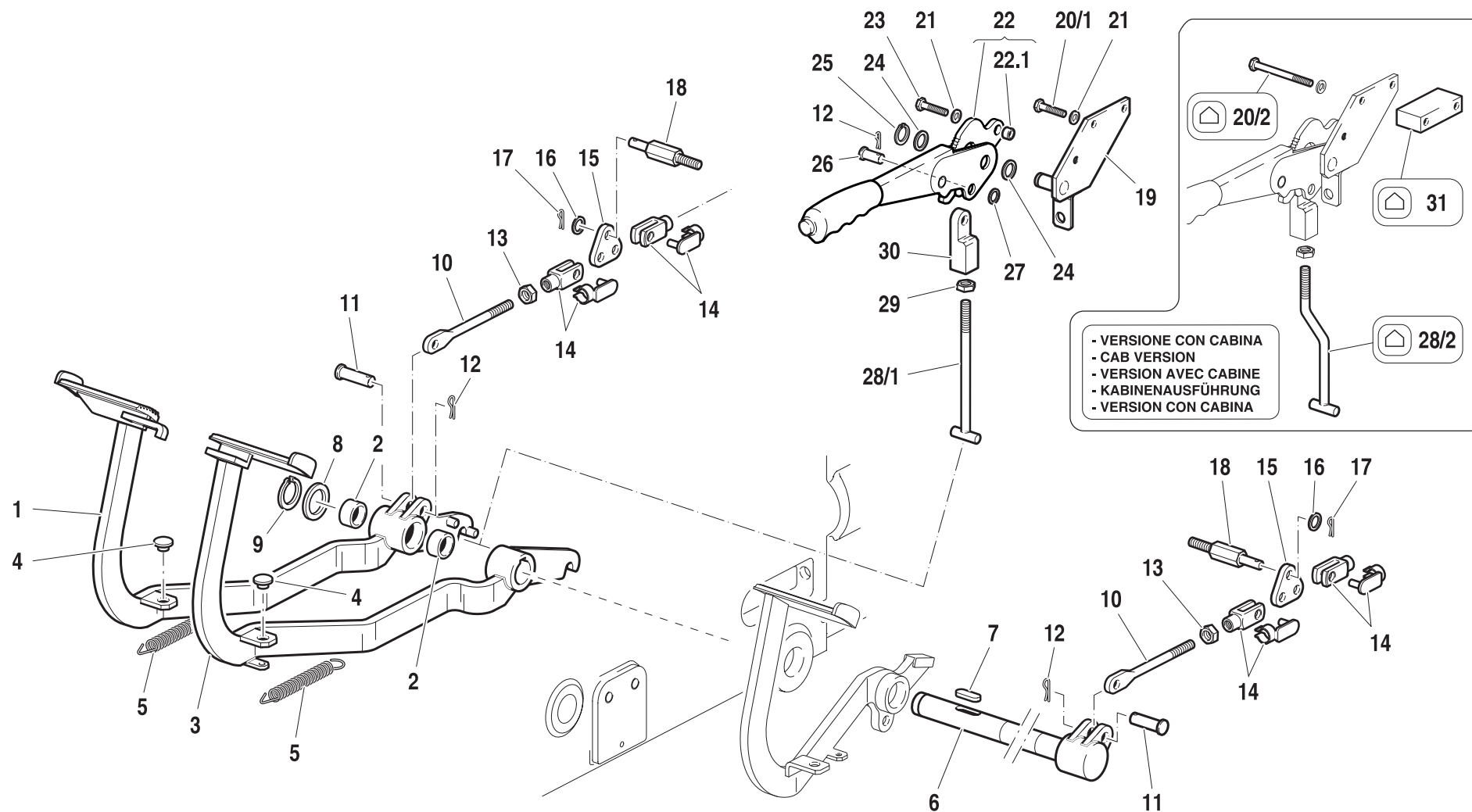
Version: 30-40CV

CODE REV

D.17.01_1_20897



Pos.	Code	Q.ty	Description	Notes
1	58171706	1	BRAKE	
2	58171707	1	BRAKE DISC	
3	52373252	1	ROD	
4	56471709	1	PIN	
5	F0810510000	1	SPLIT PIN A2,0X20 UNI 1336	
6	55170047	1	BOOT	
7	56170043	1	COVER	
8	31411130	1	WASHER 13x24	
9	58070366	1	RETAINING SPRING	
10	F0814689020	1	NUT M12 UNI 5589 CL:8	



Pos.	Code	Q.ty	Description	Notes
1	59075619	1	BRAKE PEDAL	
2	58173248	1	BUSHING	
3	59073623	1	BRAKE PEDAL	
4	F0822537050	1	BUFFER	
5	58070790	1	RESTORING SPRING	
6	59073255	1	SHAFT	
7	F0806522000	1	KEY A8X7X25 UNI 6604	
8	F0844374000	1	WASHER 25,0x35/2	
9	35131026	1	SEEGER RING E 25X2 UNI 7436	
10	56373251	1	ROD	
11	56471813	1	PIN	
12	F0810510000	1	SPLIT PIN A2,0X20 UNI 1336	
13	F0814689020	1	NUT M12 UNI 5589 CL:8	
14	F0860091050	1	COMPLETE FORK	
15	56373253	1	PLATE	
16	31411130	1	WASHER 13x24	
17	34110030	1	SPLIT PIN	
18	56373627	1	PIN	
19	59075443	1	SUPPORT	
20/1	31112147	1	SCREW TE M8X18 UNI 5739 8G	
20/2	31112155	1	SCREW TE M8X45 UNI 5739 8G	
21	F0843643060	1	WASHER 8	
22	58171215	1	HANDBRAKE LEVER	
22.1	56171936	1	SPACER	
23	31112151	1	SCREW TE M8X25 UNI 5739 8G	
24	31411150	1	WASHER 15x28	
25	F0801095000	1	SEEGER RING E 14 7435	
26	56470365	1	PIN	
27	31411105	1	WASHER 10,5x21	
28/1	56375444	1	HANDBRAKE TIE-ROD	
28/2	56375543	1	HANDBRAKE TIE-ROD	
29	F0814627000	1	NUT M10	
30	56371721	1	SMALL BLOCK	
31	56175544	1	SPACER	

SERIAL

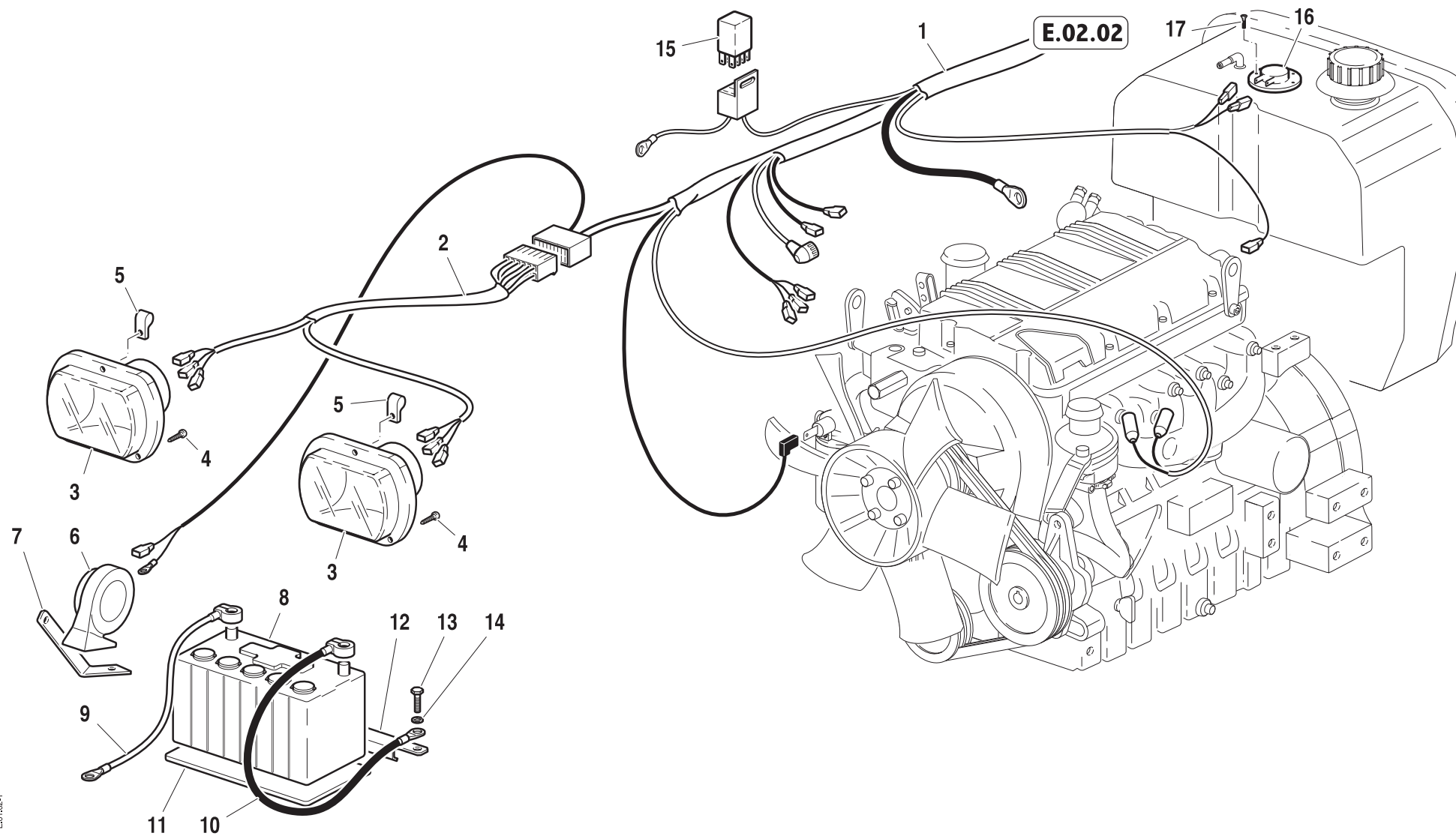
BRAKES CONTROL UNITS

Version: 30-40CV

CODE REV

D.19.01_1_20925

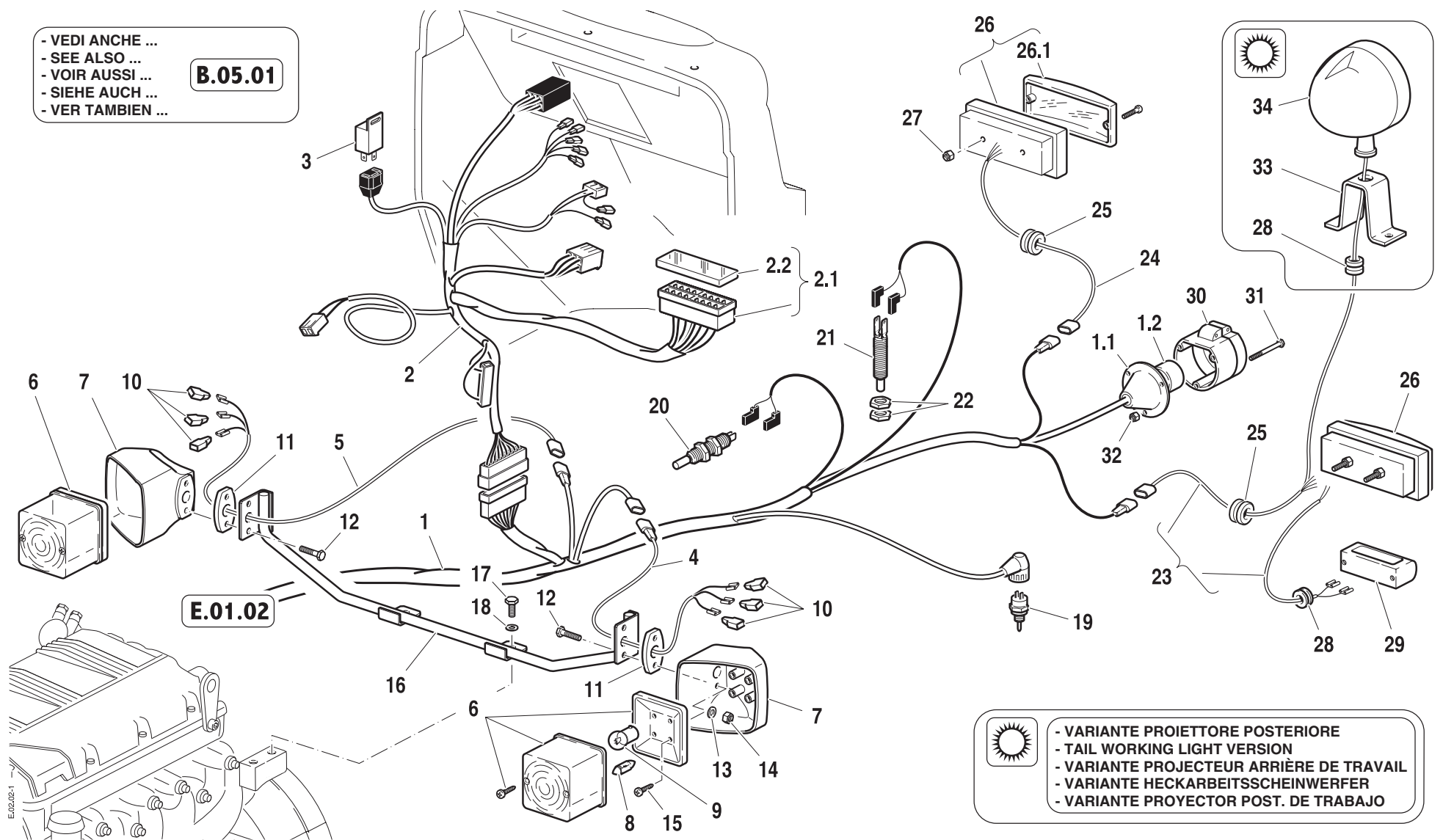
BATTERY AND FRONT ELECTRICAL SYSTEM




Pos.	Code	Q.ty	Description	Notes
1	58074854	1	CABLE	
2	58073763	1	CABLE	
3	F0825404050	1	HEADLIGHT	
4	F0861867001	1	SCREW M4,2X16 DIN 7981	
5	F0825415050	1	CLAMP	
6	F0825417000	1	HORN	
7	56174160	1	SMALL PLATE	
8	F0825470050	1	BATTERY	
9	58071313	1	CABLE	
10	58073565	1	CABLE	
11	57370321	1	RUBBER	
12	56173343	1	CROSS MEMBER	
13	31111151	1	SCREW TE M8X16 UNI 5739 8G	
14	F0843643060	1	WASHER 8	
15	F0834378001	1	CENTRAL PROCESSING UNIT	
16	58173187	1	CONTROL	
17	F0861867050	1	SCREW M4,2X19 DIN 7981	

- VEDI ANCHE ...
- SEE ALSO ...
- VOIR AUSSI ...
- SIEHE AUCH ...
- VER TAMBIEN ...

B.05.01



 - VARIANTE PROIETTORE POSTERIORE
- TAIL WORKING LIGHT VERSION
- VARIANTE PROJECTEUR ARRIERE DE TRAVAIL
- VARIANTE HECKARBEITSSCHEINWERFER
- VARIANTE PROJECTOR POST. DE TRABAJO

E.02.02-1

Pos.	Code	Q.ty	Description	Notes
1	58074854	1	CABLE	
1.1	58170572	1	CAP	
1.2	58170571	1	ATTACHMENT PLUG	
2	58073344	1	CABLE	
2.1	58170453	1	FUSE BOX	
2.2	58172267	1	COVER	
3	F0825139000	1	FLASHER	
4	58073766	1	CABLE	
5	58075998	1	CABLE	
6	F0825500000	1	HEADLIGHT	
7	55073540	1	SUPPORT	
8	F0825440100	1	LAMP	
9	F0825440110	1	LAMP	
10	F0825407010	1	SHEATH	
11	57370998	1	BLOCK	
12	31112089	1	SCREW TE M6X25 UNI 5739 8G	
13	F0843570000	1	WASHER 6	
14	31211060	1	NUT M6	
15	F0861867001	1	SCREW M4,2X16 DIN 7981	
17	31112147	1	SCREW TE M8X18 UNI 5739 8G	
18	F0843643060	1	WASHER 8	
19	F0825117000	1	SWITCH	
20	F0825488000	1	SWITCH	
21	58173230	1	PUSH-BUTTON	
22	F0814744050	1	NUT M14X1,5	
23	58073235	1	CABLE	
24	58073236	1	CABLE	
25	58170947	1	CABLE GLAND	
26	F0825420600	1	LAMP	
26.1	F0825420660	1	GLASS	
27	F0814529080	1	SELFLOCK NUT M5	
28	F0825414000	1	CABLE GLAND 7-15-18,5-2,5	
29	30000506	1	LAMP	
30	F0825438000	1	SOCKET	

SERIAL
START
500025

CENTRAL AND REAR ELECTRICAL SYSTEM

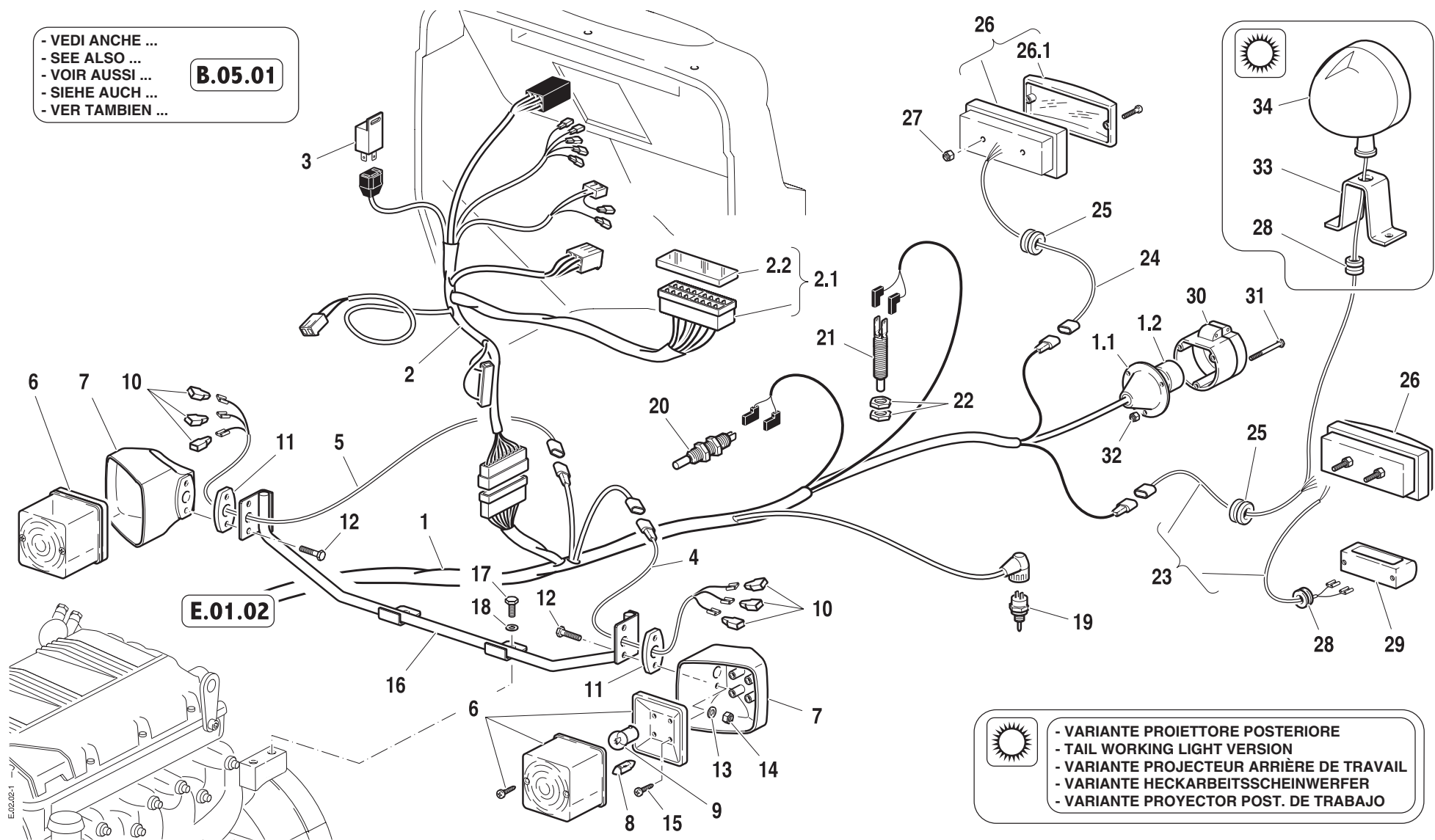
Version: 30-40CV


CODE REV

E.02.02_1_21030

- VEDI ANCHE ...
 - SEE ALSO ...
 - VOIR AUSSI ...
 - SIEHE AUCH ...
 - VER TAMBIEN ...

B.05.01




 - VARIANTE PROIETTORE POSTERIORE
 - TAIL WORKING LIGHT VERSION
 - VARIANTE PROJECTEUR ARRIERE DE TRAVAIL
 - VARIANTE HECKARBEITSSCHEINWERFER
 - VARIANTE PROJECTOR POST. DE TRABAJO

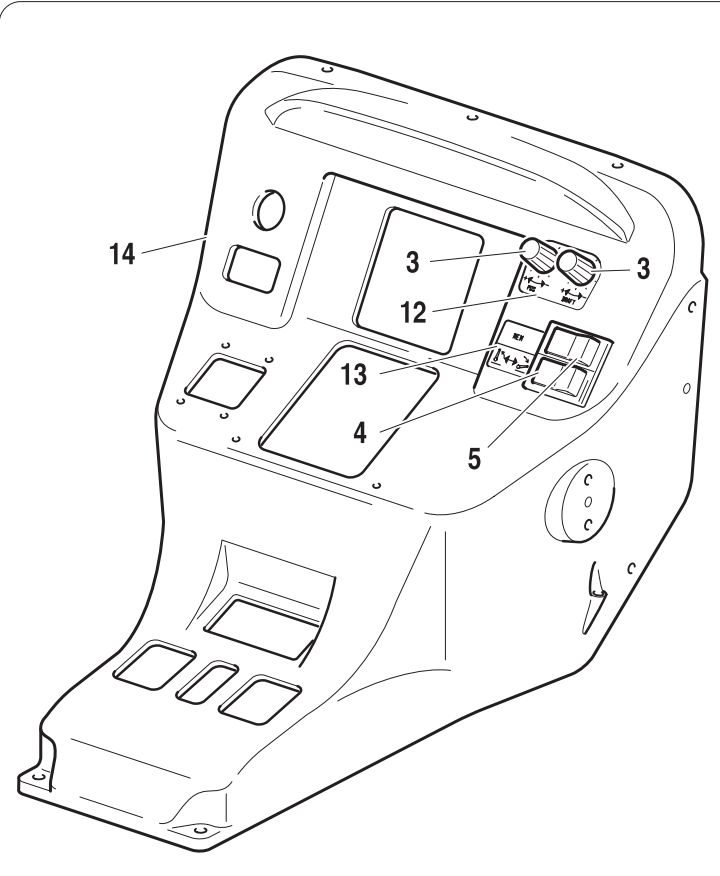
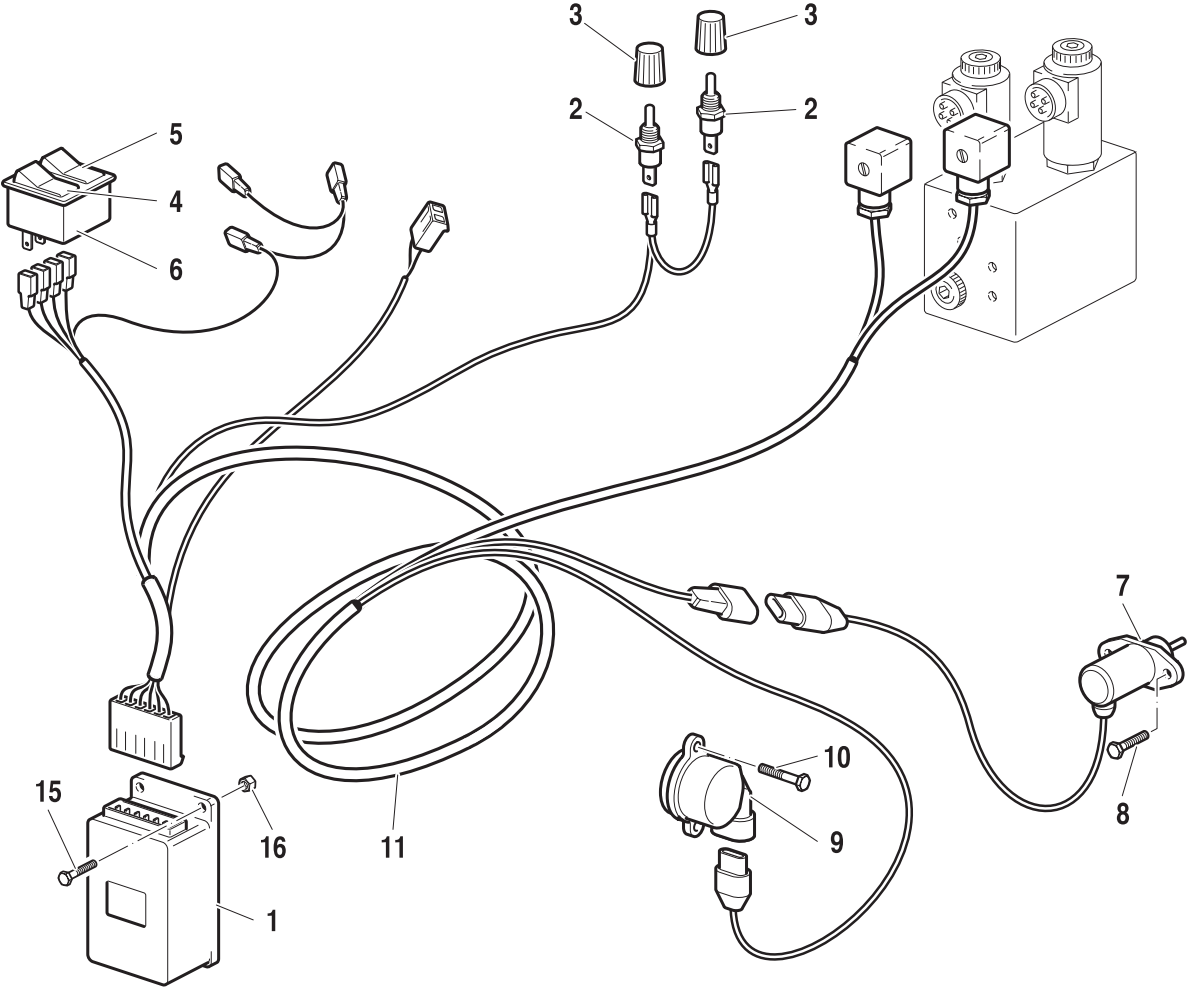
Pos.	Code	Q.ty	Description	Notes
31	F0861941000	1	SCREW M5X35 UNI 6107	
32	31211050	1	NUT M5	
33	F0190035152	1	SUPPORT	
34	F0825493000	1	HEADLIGHT	

SERIAL
START
500025

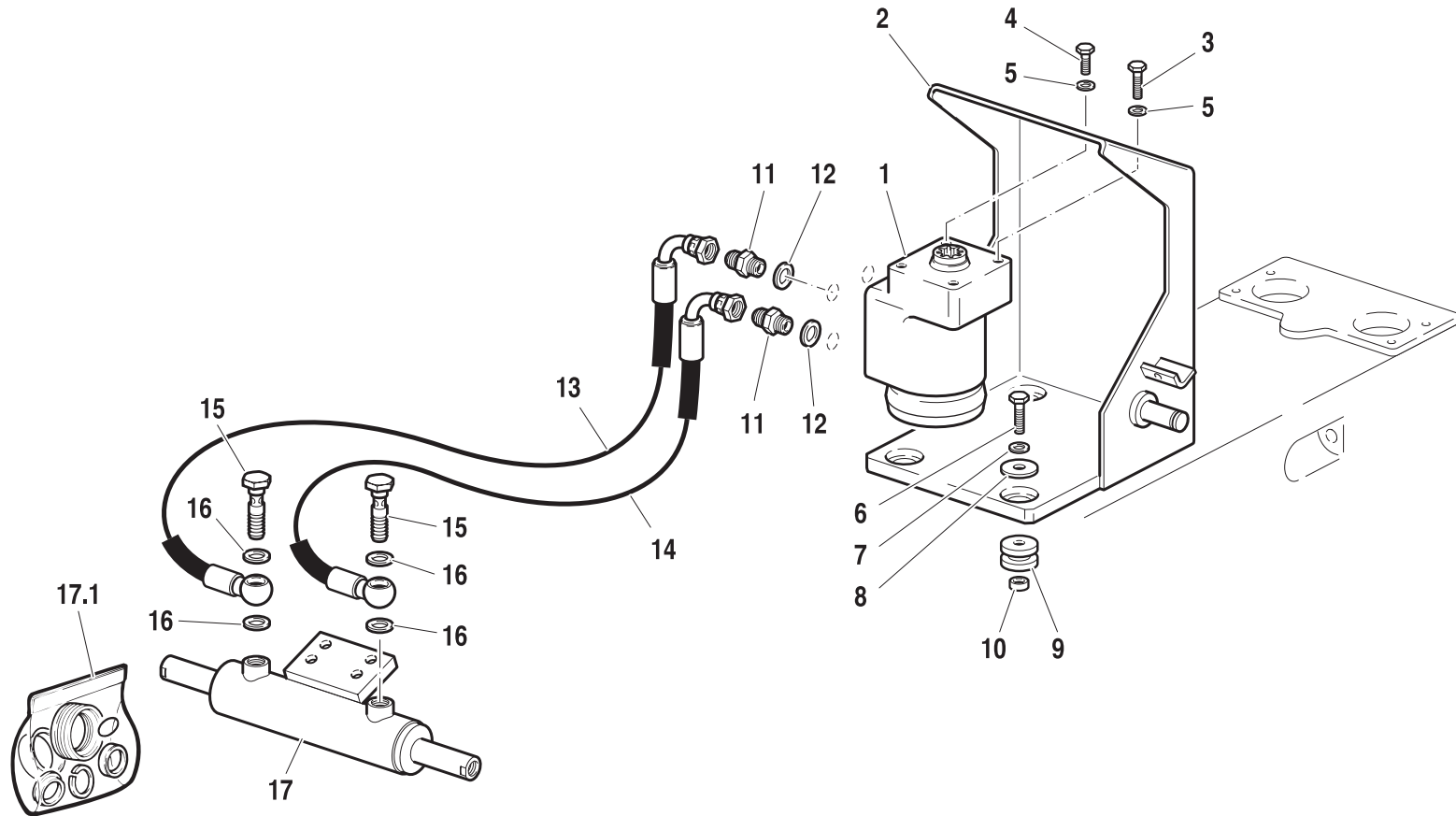
CENTRAL AND REAR ELECTRICAL SYSTEM

Version: 30-40CV

CODE REV
E.02.02_1_21030



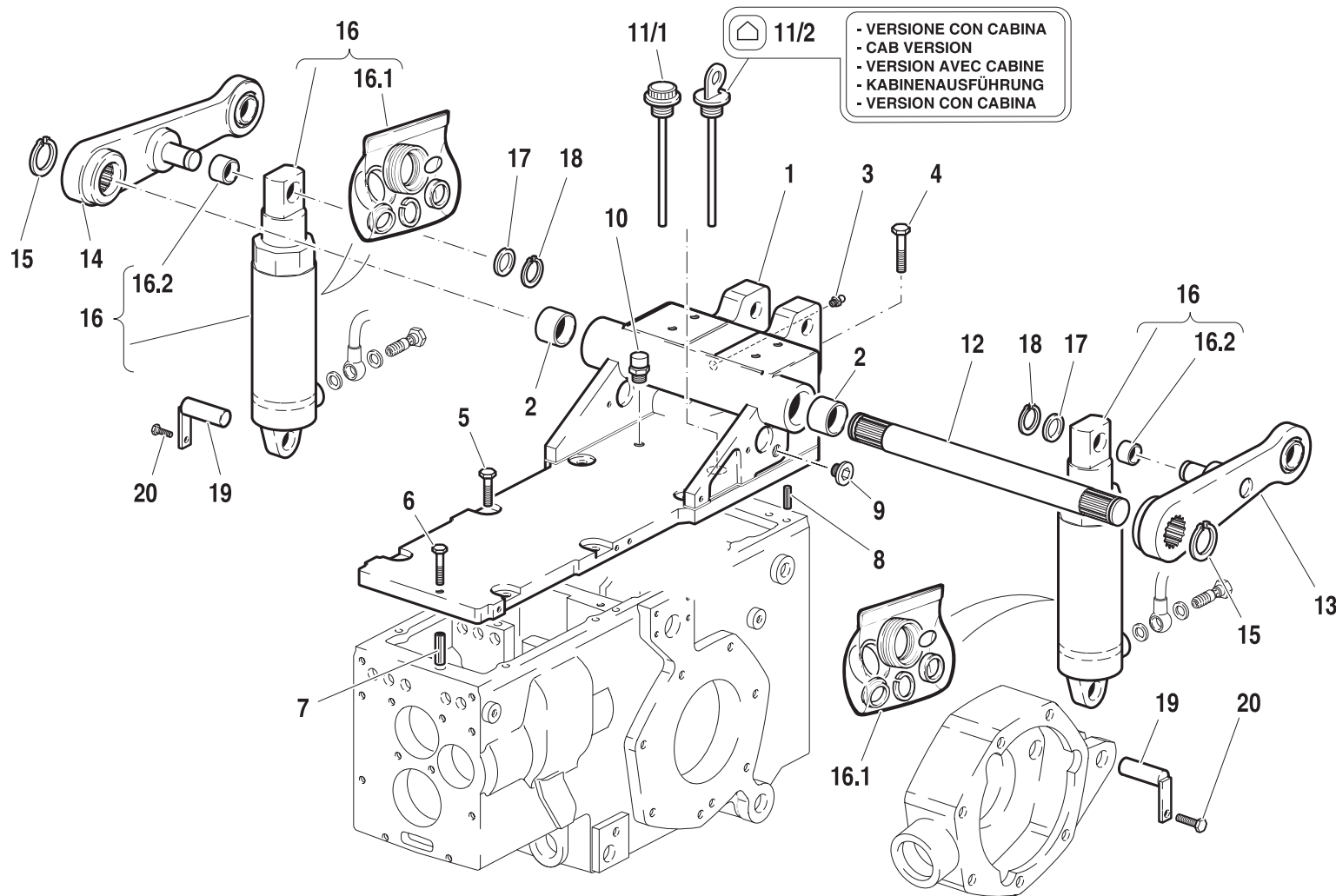
Pos.	Code	Q.ty	Description	Notes
1	58173144	1	CENTRAL PROCESSING UNIT	
2	58173866	1	POTENTIOMETER	
3	58172978	1	KNOB	
4	58172979	1	CHANGE-OVER SWITCH	
4.1	58173118	1	SWITCH	
4.2	58173123	1	GLASS	
5	58172980	1	CHANGE-OVER SWITCH	
5.1	58173117	1	SWITCH	
5.2	58173119	1	LAMP	
5.3	58173122	1	GLASS	
6	58170376	1	TERMINAL FOR SWITCH	
7	59073060	1	SENSOR	
8	F0861929060	1	SCREW M5X12 UNI 5739	
9	58172982	1	SENSOR	
10	31112049	1	SCREW TE M4X10 UNI 5739 8G	
11	58173865	1	WIRING	
12	58073018	1	PLATE	
13	58073019	1	PLATE	
14	57374245	1	INSTRUMENT PANEL	
15	31111084	1	SCREW TE M4X16 UNI 5739 8G	
16	31211040	1	NUT M4	



Pos.	Code	Q.ty	Description	Notes
1	58173164	1	HYDROSTEERING	
2	59076051	1	SUPPORT	
3	31112219	1	SCREW TE M10X25 UNI 5739	
4	31112210	1	SCREW TE M10X20 UNI 5739	
5	F0843755000	1	WASHER 10	
6	F0862694000	1	SCREW M8X170 UNI 5737	
7	F0843643060	1	WASHER 8	
8	31411090	1	WASHER 9x24	
9	55175174	1	BLOCK	
10	56171996	1	SPACER	
11	F0835040000	1	NIPPLE	
12	F0824141000	1	COPPER WASHER 21x27/1,5	
13	58073563	1	FLEXIBLE HOSE	
14	58073498	1	FLEXIBLE HOSE	
15	F0843107000	1	PIPE FITTING GAS 1/4	
16	F0843907000	1	COPPER WASHER 13,66x19/1,5	
17	58173603	1	STEERING CYLINDER	
17.1	59900243	1	GASKET SET	

HYDRAULIC LIFT (2 LIFTING JACKS VERSION)

SERIAL START 500004



Pos.	Code	Q.ty	Description	Notes
1	51171641	1	SUPPORT	
2	58171861	1	BUSHING	
3	F0826056000	1	LUBRICATOR M10 UNI 7663A	
4	31112212	1	SCREW TE M10X35 UNI 5739	
5	31112219	1	SCREW TE M10X25 UNI 5739	
6	31112154	1	SCREW TE M8X40 UNI 5739 8G	
7	56170017	1	PIN	
8	56370228	1	CYLINDRICAL PLUG	
9	58072045	1	PLUG	
10	30040005	1	PLUG	
11/1	58071805	1	PLUG	
11/2	58075547	1	OIL LEVEL ROD	
12	56571785	1	SHAFT	
13	59071783	1	LIFTING ARM	
14	59071771	1	RIGHT ARM	
15	F0801264050	1	SEEGER RING E 35X2,5 U/7436	
16	58071534	1	LIFTING CYLINDER	
16.1	59900181	1	GASKET SET	
16.2	59900180	1	BUSHING	
17	56172905	1	THRUST PLATE	
18	F0801149010	1	SEEGER RING E 20 7436D/471-2	
19	59071786	1	HINGE PIN	
20	31111151	1	SCREW TE M8X16 UNI 5739 8G	

SERIAL
START
500004

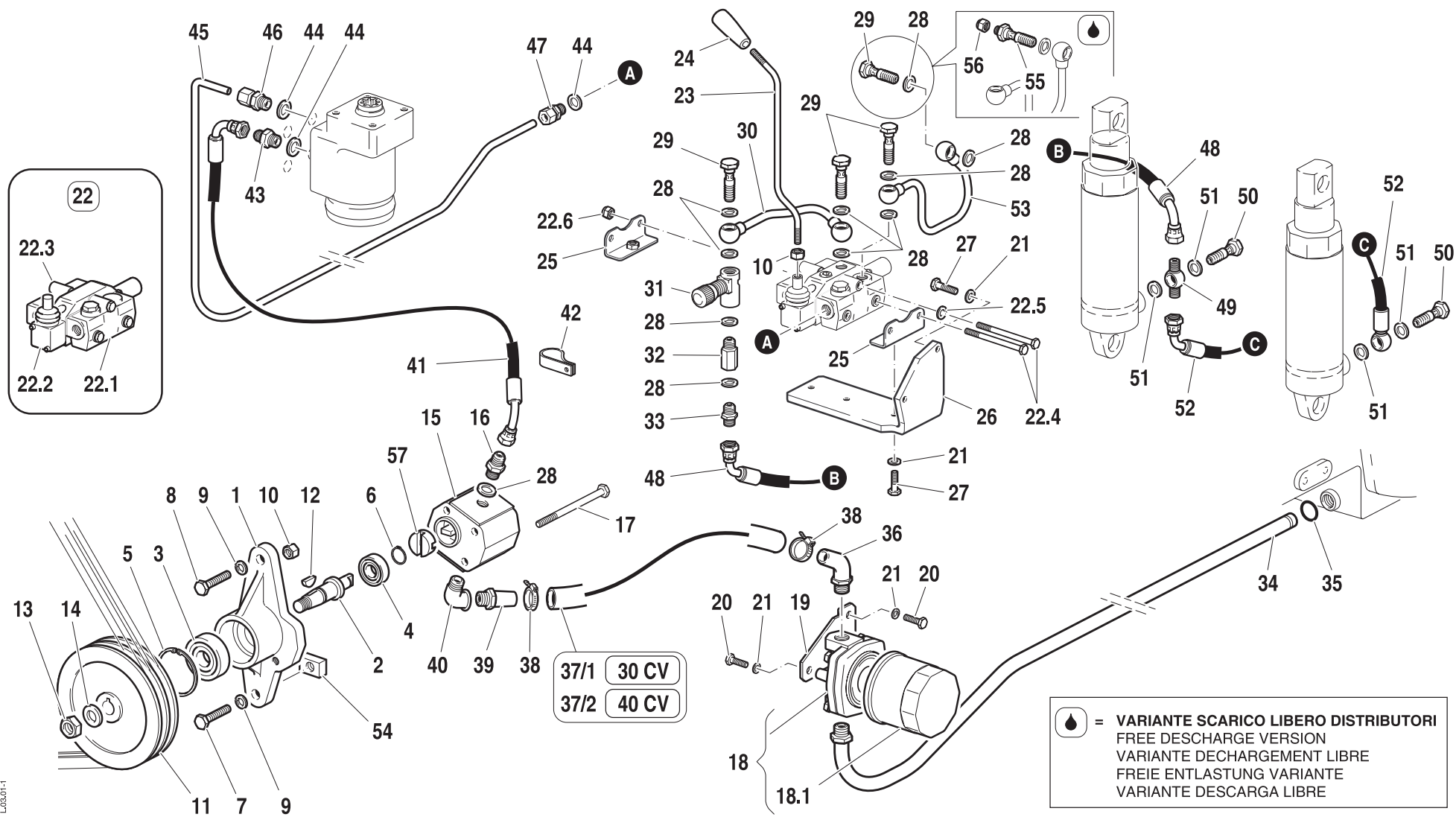
HYDRAULIC LIFT (2 LIFTING JACKS VERSION)

Version: 30-40CV

CODE REV

L.01.02_0_21134

SERIAL START 900160



L0301-1

Pos.	Code	Q.ty	Description	Notes
1	51172830	1	SUPPORT	
2	56372831	1	SHAFT	
3	37112172	1	BEARING	
4	F0812523050	1	BEARING 6201-2RS	
5	35111047	1	SEEGER RING I 47 DIN 472	
6	F0801127050	1	SEEGER RING E 17X1,5 U/7436	
7	F0863359000	1	SCREW M10X40 UNI 5737	
8	F0863449000	1	SCREW M10X50 UNI 5737	
9	F0843755000	1	WASHER 10	
10	31211100	1	NUT M10	
11	51172832	1	PULLEY	
12	58172914	1	KEY	
13	F0814688010	1	NUT M12X1,5	
14	58172915	1	WASHER	
15	58174697	1	PUMP	
16	F0835024010	1	NIPPLE	
17	31112174	1	SCREW TE M8X110 UNI 5737 8.8	
18	58173337	1	FILTER	
18.1	58173642	1	FILTER INSERT	
19	56173338	1	FILTER SUPPORT	
20	31111151	1	SCREW TE M8X16 UNI 5739 8G	
21	F0843643060	1	WASHER 8	
22	58174699	1	DISTR.COM.SOLL.30-40DT *	
22.1	58174700	1	HEAD	
22.2	58172011	1	S.A. VALVE	
22.3	58172489	1	COVER	
22.4	58172490	1	ROD	
22.5	F0843643060	1	WASHER 8	
22.6	31211080	1	NUT M8	
23	56175567	1	COMMAND LEVER	
24	F0837534010	1	GRIP	
25	59072057	1	FIXING BRACKET	
26	56172561	1	RETAINER	
27	31112146	1	SCREW TE M8X22 UNI 5739 8G	

SERIAL
START
900160

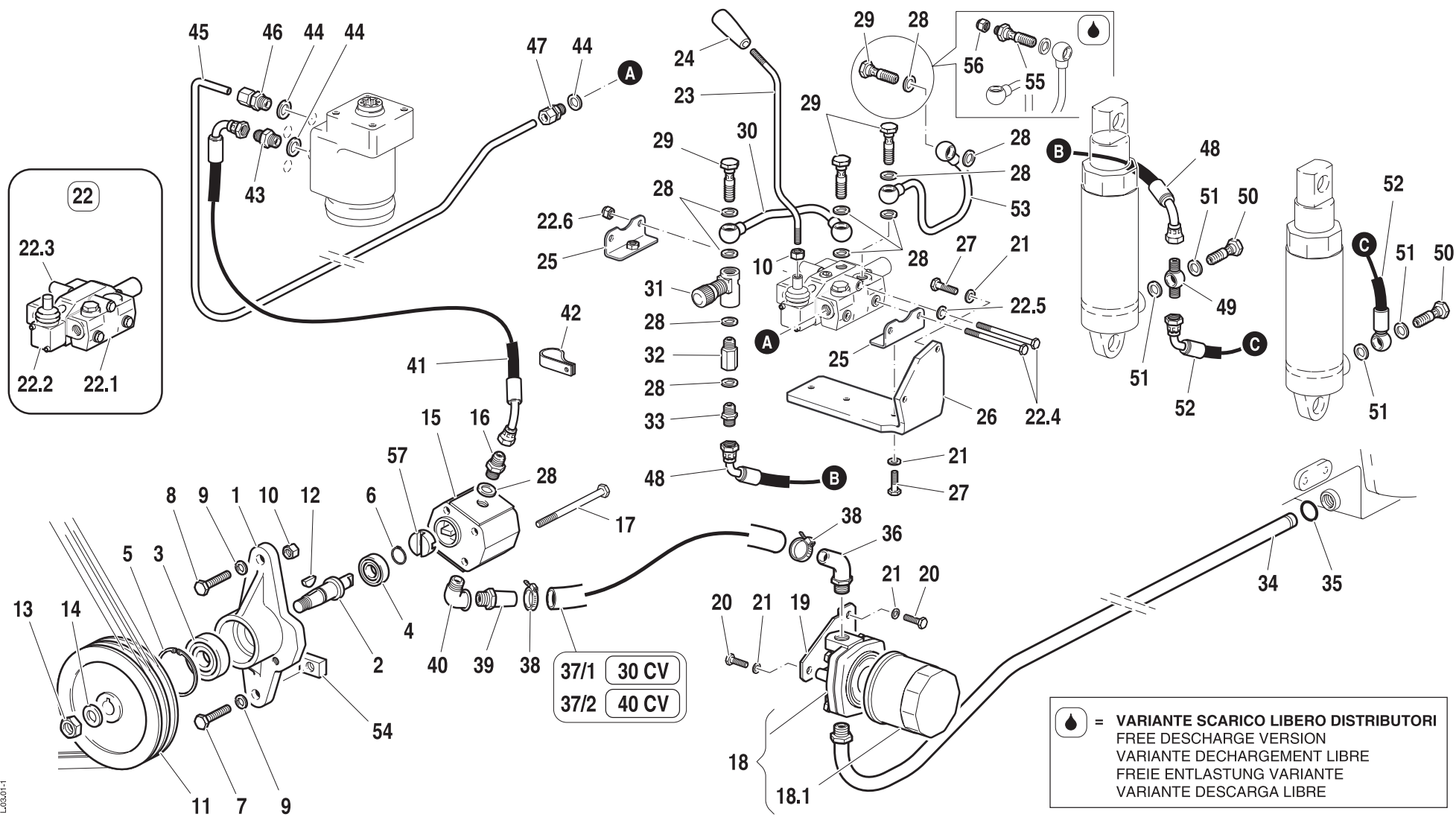
HYDRAULIC SYSTEM (2 LIFTING JACKS VERSION)

Version: 30-40CV

CODE REV

L.03.01_1_21307

SERIAL START 900160



L03.01-1

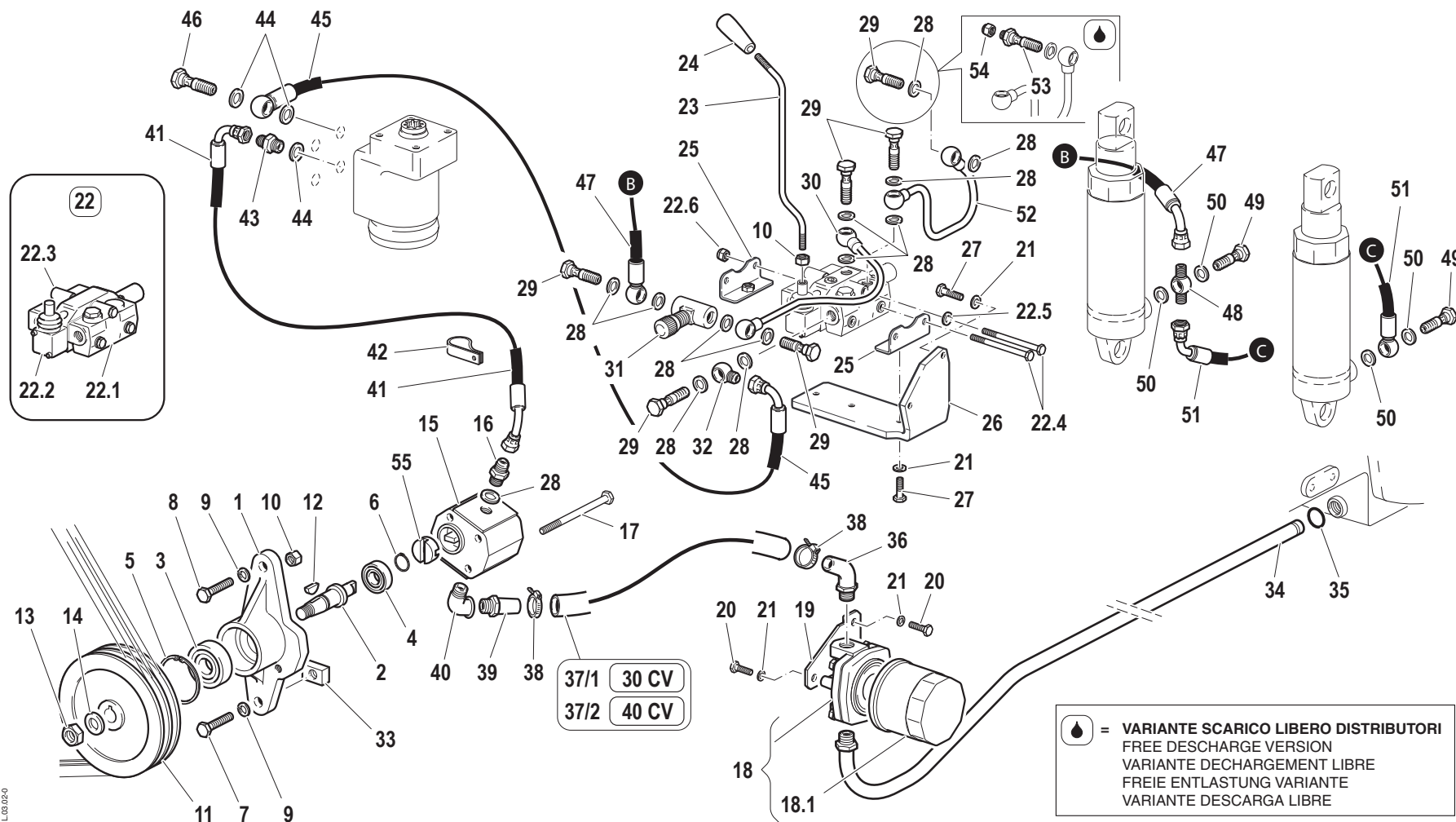
Pos.	Code	Q.ty	Description	Notes
28	F0824110000	1	COPPER WASHER 3/8 GAS	
29	F0843109020	1	PIPE FITTING	
30	59075386	1	PRESSURE PIPE	
31	P24117100000	1	VALVE	
32	30000200	1	EXTENSION	
33	F0835023000	1	NIPPLE	
34	59073339	1	SUCTION PIPE	
35	38112507	1	O-RING 3100 (25,07X2,62)	
36	59073340	1	SUCTION PIPE	
37/1	58173543	1	FLEXIBLE HOSE	
37/2	58173053	1	FLEXIBLE HOSE	
38	F0817523010	1	CLAMP	
39	56172917	1	PIPE FITTING	
40	F0840544000	1	ELBOW	
41	58074161	1	FLEXIBLE HOSE	
42	F0825416000	1	CLAMP	
43	F0835037000	1	NIPPLE	
44	F0824141000	1	COPPER WASHER 21x27/1,5	
45	59075453	1	DISTRIBUTING PIPE	
46	58173539	1	PIPE FITTING	
47	58172015	1	PIPE FITTING	
48	58075372	1	FLEXIBLE HOSE	
49	F0842519050	1	PIPE FITTING	
50	F0843107000	1	PIPE FITTING GAS 1/4	
51	F0843907000	1	COPPER WASHER 13,66x19/1,5	
52	58072269	1	FLEXIBLE HOSE	
53	59073160	1	EXHAUST	
54	56176373	1	LOCKING MECHANISM	
55	56373163	1	PIPE UNION	
56	F0852589000	1	PLUG	
57	56477572	1	JOINT	

SERIAL
START
900160

HYDRAULIC SYSTEM (2 LIFTING JACKS VERSION)

Version: 30-40CV

CODE REV
L.03.01_1_21307



Pos.	Code	Q.ty	Description	Notes
1	51172830	1	SUPPORT	
2	56372831	1	SHAFT	
3	37112172	1	BEARING	
4	F0812523050	1	BEARING 6201-2RS	
5	35111047	1	SEEGER RING I 47 DIN 472	
6	F0801127050	1	SEEGER RING E 17X1,5 U/7436	
7	F0863359000	1	SCREW M10X40 UNI 5737	
8	F0863449000	1	SCREW M10X50 UNI 5737	
9	F0843755000	1	WASHER 10	
10	31211100	1	NUT M10	
11	51172832	1	PULLEY	
12	58172914	1	KEY	
13	F0814688010	1	NUT M12X1,5	
14	58172915	1	WASHER	
15	58174697	1	PUMP	
16	F0835024010	1	NIPPLE	
17	31112174	1	SCREW TE M8X110 UNI 5737 8.8	
18	58173337	1	FILTER	
18.1	58173642	1	FILTER INSERT	
19	56173338	1	FILTER SUPPORT	
20	31111151	1	SCREW TE M8X16 UNI 5739 8G	
21	F0843643060	1	WASHER 8	
22	58174699	1	DISTR.COM.SOLL.30-40DT *	
22.1	58174700	1	HEAD	
22.2	58172011	1	S.A. VALVE	
22.3	58172489	1	COVER	
22.4	58172490	1	ROD	
22.5	F0843643060	1	WASHER 8	
22.6	31211080	1	NUT M8	
23	56175567	1	COMMAND LEVER	
24	F0837534010	1	GRIP	
25	59072057	1	FIXING BRACKET	
26	56172561	1	RETAINER	
27	31112146	1	SCREW TE M8X22 UNI 5739 8G	

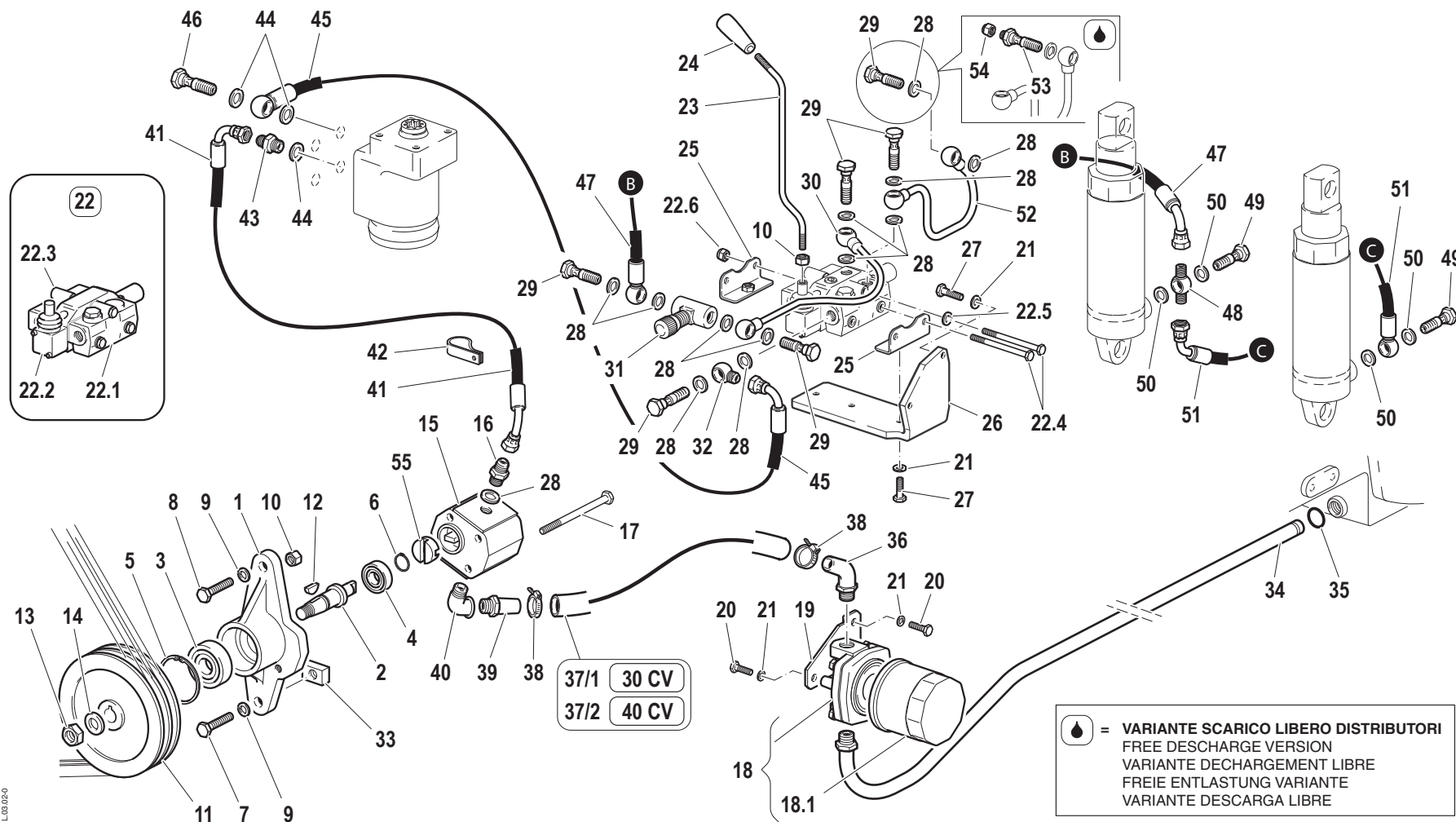
SERIAL

HYDRAULIC SYSTEM WITH CAB (2 LIFTING JACKS)

Version: 30-40CV

CODE REV

L.03.02_0_21373



L.03.02_0

Pos.	Code	Q.ty	Description	Notes
28	F0824110000	1	COPPER WASHER 3/8 GAS	
29	F0843109020	1	PIPE FITTING	
31	P24117100000	1	VALVE	
32	F0842505030	1	PIPE FITTING	
33	56176373	1	LOCKING MECHANISM	
34	59073339	1	SUCTION PIPE	
35	38112507	1	O-RING 3100 (25,07X2,62)	
36	59073340	1	SUCTION PIPE	
37/1	58173543	1	FLEXIBLE HOSE	
37/2	58173053	1	FLEXIBLE HOSE	
38	F0817523010	1	CLAMP	
39	56172917	1	PIPE FITTING	
40	F0840544000	1	ELBOW	
41	58074161	1	FLEXIBLE HOSE	
42	F0825416000	1	CLAMP	
43	F0835037000	1	NIPPLE	
44	F0824141000	1	COPPER WASHER 21x27/1,5	
45	58075592	1	FLEXIBLE HOSE	
46	F0843116000	1	PIPE FITTING 1/2	
47	58075372	1	FLEXIBLE HOSE	
48	F0842519050	1	PIPE FITTING	
49	F0843107000	1	PIPE FITTING GAS 1/4	
50	F0843907000	1	COPPER WASHER 13,66x19/1,5	
51	58072269	1	FLEXIBLE HOSE	
52	59073160	1	EXHAUST	
53	56373163	1	PIPE UNION	
54	F0852589000	1	PLUG	
55	56477572	1	JOINT	


SERIAL

HYDRAULIC SYSTEM WITH CAB (2 LIFTING JACKS)

Version: 30-40CV

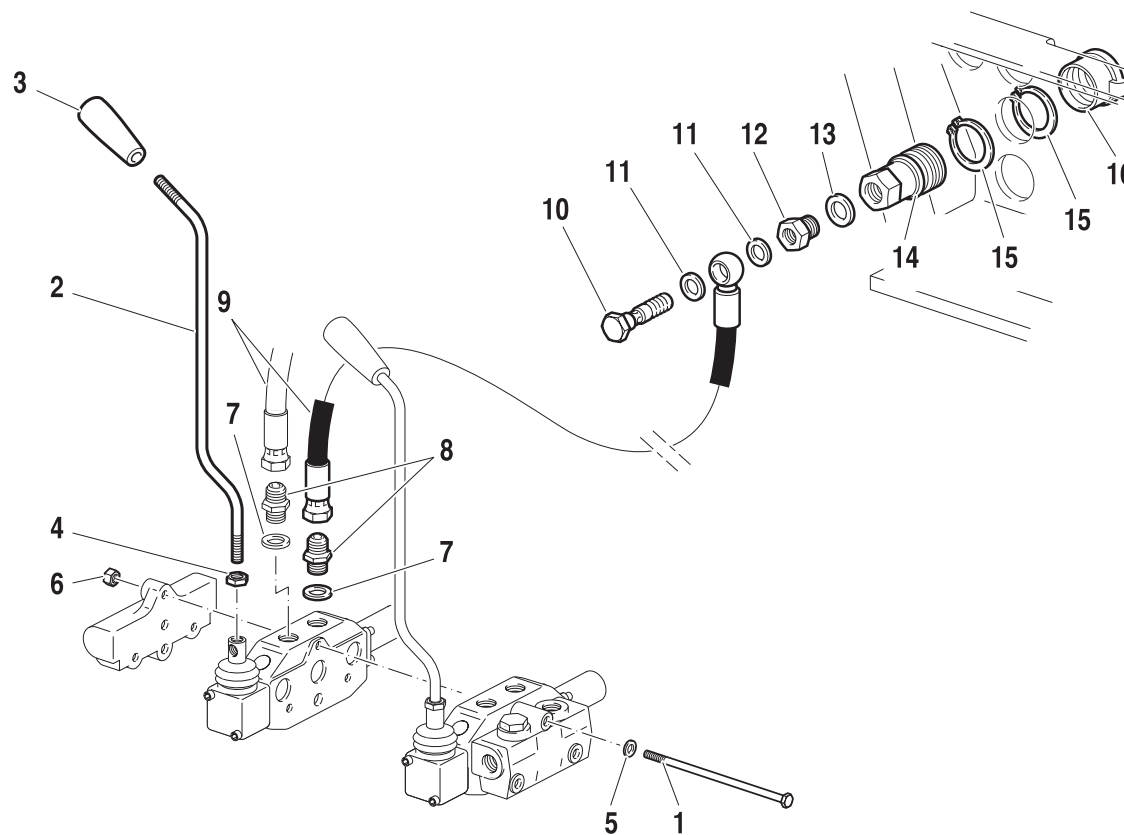
CODE REV

L.03.02_0_21373



I.01.01-1

- PER I DISTRIBUTORI SENZA CODICE VEDERE LA TAVOLA INDICATA
- FOR CONTROL VALVES WITHOUT CODE SEE INDICATED TABLE
- POUR LES DISTRIBUTEURS SANS CODE VOIR LA TABLE INDIQUÉE
- FÜR STEUERGERÄTE OHNE BEST-NR. SIEHE DIE ANGEGEBENE TAFEL
- PARA LOS DISTRIBUIDORES SIN CODIGO MIRAR LA TABLA INDICADA



Pos.	Code	Q.ty	Description	Notes
1	58172016	1	ROD	
2	56175566	1	COMMAND LEVER	
3	F0837534010	1	GRIP	
4	31211100	1	NUT M10	
5	F0843643060	1	WASHER 8	
6	31211080	1	NUT M8	
7	F0824110000	1	COPPER WASHER 3/8 GAS	
8	F0835023000	1	NIPPLE	
9	58072138	1	FLEXIBLE HOSE	
10	F0843107000	1	PIPE FITTING GAS 1/4	
11	F0843907000	1	COPPER WASHER 13,66x19/1,5	
12	F0835040020	1	REDUCTION	
13	F0824141000	1	COPPER WASHER 21x27/1,5	
14	F0825980030	1	COUPLING	
15	F0801297000	1	SEEGER RING E 40 UNI 7435	
16	F0852550010	1	GUARD	

SERIAL

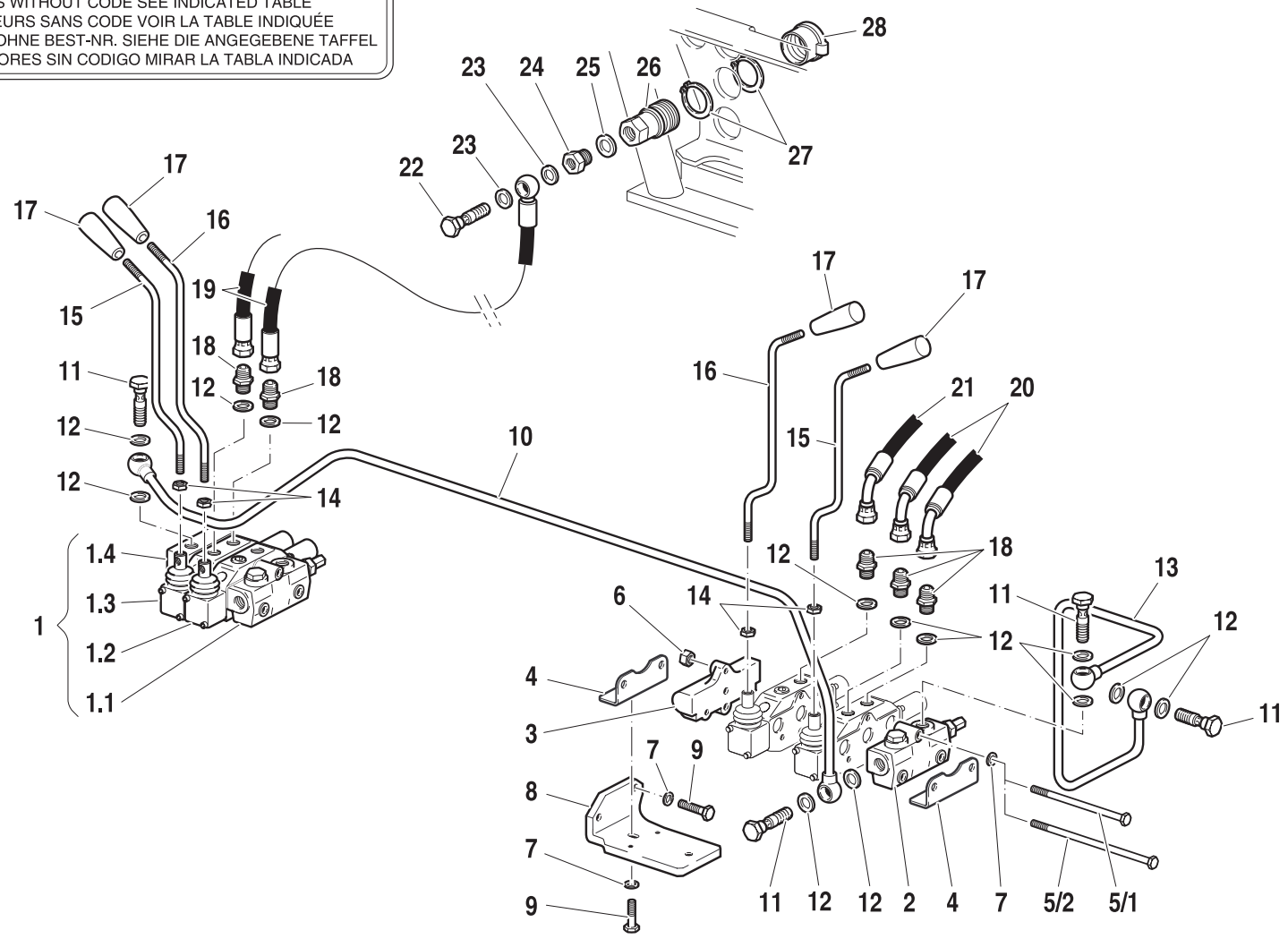
1 ADDITIONAL CONTROL VALVE

Version: 30-40CV

CODE REV

L.04.01_0_21436

- PER I DISTRIBUTORI SENZA CODICE VEDERE LA TAVOLA INDICATA
 - FOR CONTROL VALVES WITHOUT CODE SEE INDICATED TABLE
 - POUR LES DISTRIBUTEURS SANS CODE VOIR LA TABLE INDIQUÉE
 - FÜR STEUERGERÄTE OHNE BEST-NR. SIEHE DIE ANGELEGEBENE TAFEL
 - PARA LOS DISTRIBUIDORES SIN CODIGO MIRAR LA TABLA INDICADA

I.01.01-1


Pos.	Code	Q.ty	Description	Notes
1	58174698	1	FLOATING DEVICE GROUP	
1.1	58174700	1	HEAD	
1.2	58172011	1	S.A. VALVE	
1.3	58172012	1	D.A. VALVE	
1.4	58173361	1	COVER	
2	58174700	1	HEAD	
3	58172489	1	COVER	
4	59072057	1	FIXING BRACKET	
5/1	58172490	1	ROD	
5/2	58172016	1	ROD	
6	31211080	1	NUT M8	
7	F0843643060	1	WASHER 8	
8	56172750	1	RETAINER	
9	31112146	1	SCREW TE M8X22 UNI 5739 8G	
10	59072786	1	PIPE	
11	F0843109020	1	PIPE FITTING	
12	F0824110000	1	COPPER WASHER 3/8 GAS	
13	59072787	1	EXHAUST	
14	31211100	1	NUT M10	
15	56175566	1	COMMAND LEVER	
16	56175567	1	COMMAND LEVER	
17	F0837534010	1	GRIP	
18	F0835023000	1	NIPPLE	
19	58072138	1	FLEXIBLE HOSE	
20	58072795	1	FLEXIBLE HOSE	
21	58075877	1	FLEXIBLE HOSE	
22	F0843107000	1	PIPE FITTING GAS 1/4	
23	F0843907000	1	COPPER WASHER 13,66x19/1,5	
24	F0835040020	1	REDUCTION	
25	F0824141000	1	COPPER WASHER 21x27/1,5	
26	F0825980030	1	COUPLING	
27	F0801297000	1	SEEGER RING E 40 UNI 7435	
28	F0852550010	1	GUARD	

SERIAL

2 OR 3 ADITIONAL CONTROL VALVES

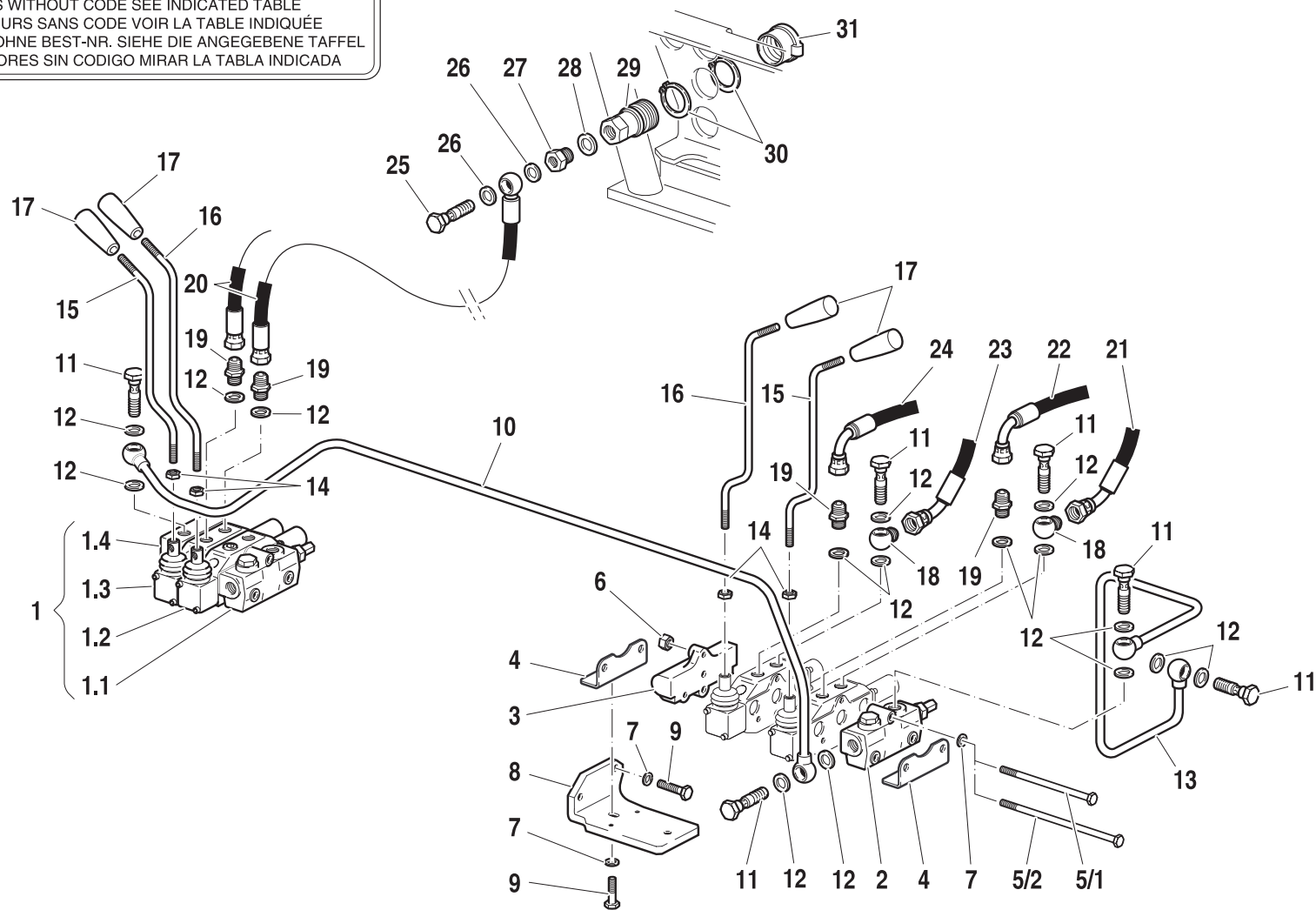
Version: 30-40CV

CODE REV

L.05.01_0_21453

I.01.01-1

- PER I DISTRIBUTORI SENZA CODICE VEDERE LA TAVOLA INDICATA
- FOR CONTROL VALVES WITHOUT CODE SEE INDICATED TABLE
- POUR LES DISTRIBUTEURS SANS CODE VOIR LA TABLE INDIQUÉE
- FÜR STEUERGERÄTE OHNE BEST-NR. SIEHE DIE ANGEGBENE TAFEL
- PARA LOS DISTRIBUIDORES SIN CODIGO MIRAR LA TABLA INDICADA



Pos.	Code	Q.ty	Description	Notes
1	58174698	1	FLOATING DEVICE GROUP	
1.1	58174700	1	HEAD	
1.2	58172011	1	S.A. VALVE	
1.3	58172012	1	D.A. VALVE	
1.4	58173361	1	COVER	
2	58174700	1	HEAD	
3	58172489	1	COVER	
4	59072057	1	FIXING BRACKET	
5/1	58172490	1	ROD	
5/2	58172016	1	ROD	
6	31211080	1	NUT M8	
7	F0843643060	1	WASHER 8	
8	56172750	1	RETAINER	
9	31112146	1	SCREW TE M8X22 UNI 5739 8G	
10	59075593	1	PIPE	
11	F0843109020	1	PIPE FITTING	
12	F0824110000	1	COPPER WASHER 3/8 GAS	
13	59072787	1	EXHAUST	
14	31211100	1	NUT M10	
15	56175566	1	COMMAND LEVER	
16	56175567	1	COMMAND LEVER	
17	F0837534010	1	GRIP	
18	F0842505010	1	EYELET	
19	F0835023000	1	NIPPLE	
20	58072138	1	FLEXIBLE HOSE	
21	58075373	1	FLEXIBLE HOSE	
22	58072796	1	FLEXIBLE HOSE	
23	58072795	1	FLEXIBLE HOSE	
24	F0150028193	1	FLEXIBLE HOSE	
25	F0843107000	1	PIPE FITTING GAS 1/4	
26	F0843907000	1	COPPER WASHER 13,66x19/1,5	
27	F0835040020	1	REDUCTION	
28	F0824141000	1	COPPER WASHER 21x27/1,5	
29	F0825980030	1	COUPLING	

SERIAL

2 OR 3 ADITIONAL CONTROL VALVES WITH (CAB VERSION)

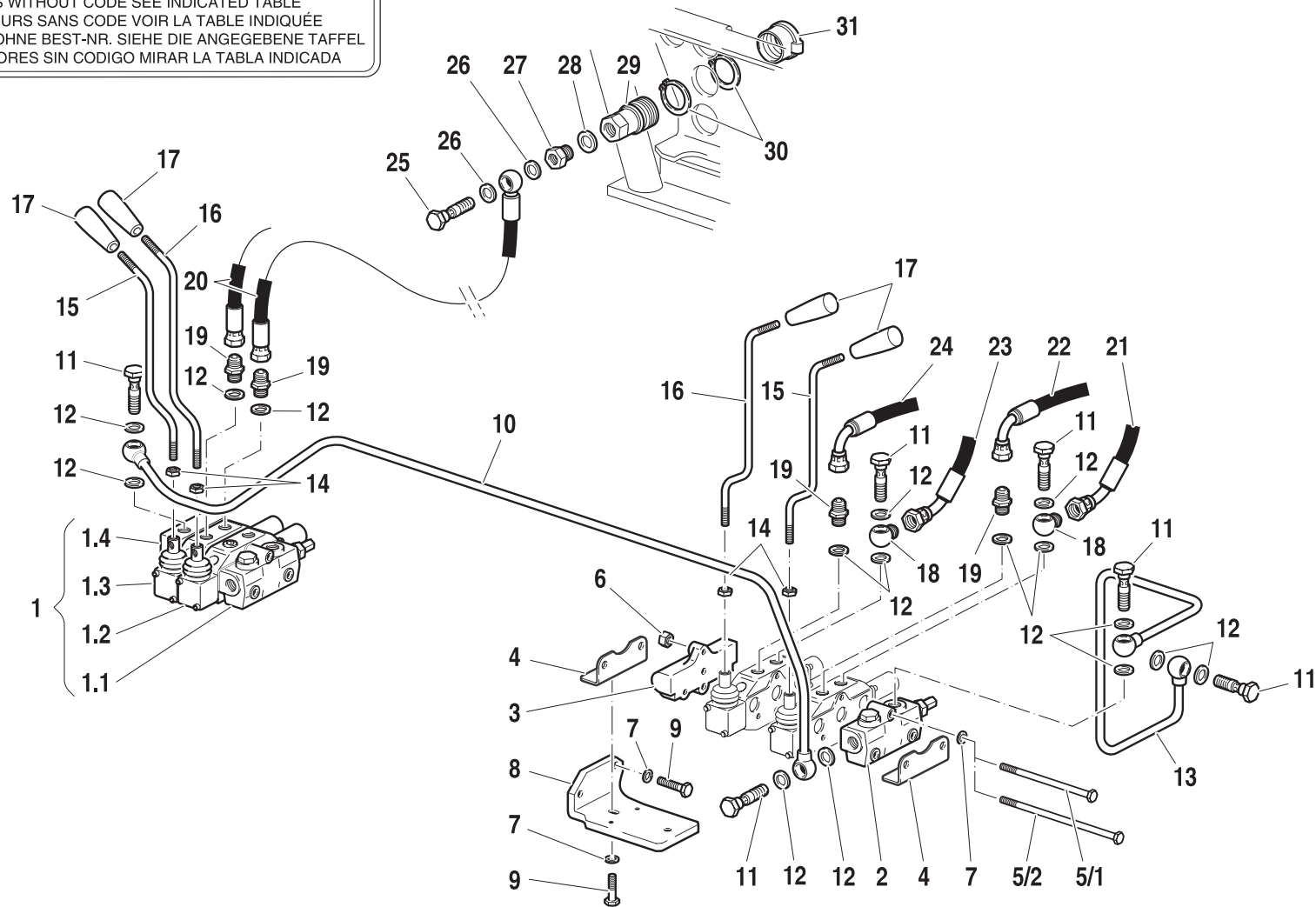
Version: 30-40CV

CODE REV

L.06.01_0_21487

I.01.01-1

- PER I DISTRIBUTORI SENZA CODICE VEDERE LA TAVOLA INDICATA
- FOR CONTROL VALVES WITHOUT CODE SEE INDICATED TABLE
- POUR LES DISTRIBUTEURS SANS CODE VOIR LA TABLE INDIQUÉE
- FÜR STEUERGERÄTE OHNE BEST-NR. SIEHE DIE ANGELEGEBENE TAFEL
- PARA LOS DISTRIBUIDORES SIN CODIGO MIRAR LA TABLA INDICADA



Pos.	Code	Q.ty	Description	Notes
30	F0801297000	1	SEEGER RING E 40 UNI 7435	
31	F0852550010	1	GUARD	

SERIAL

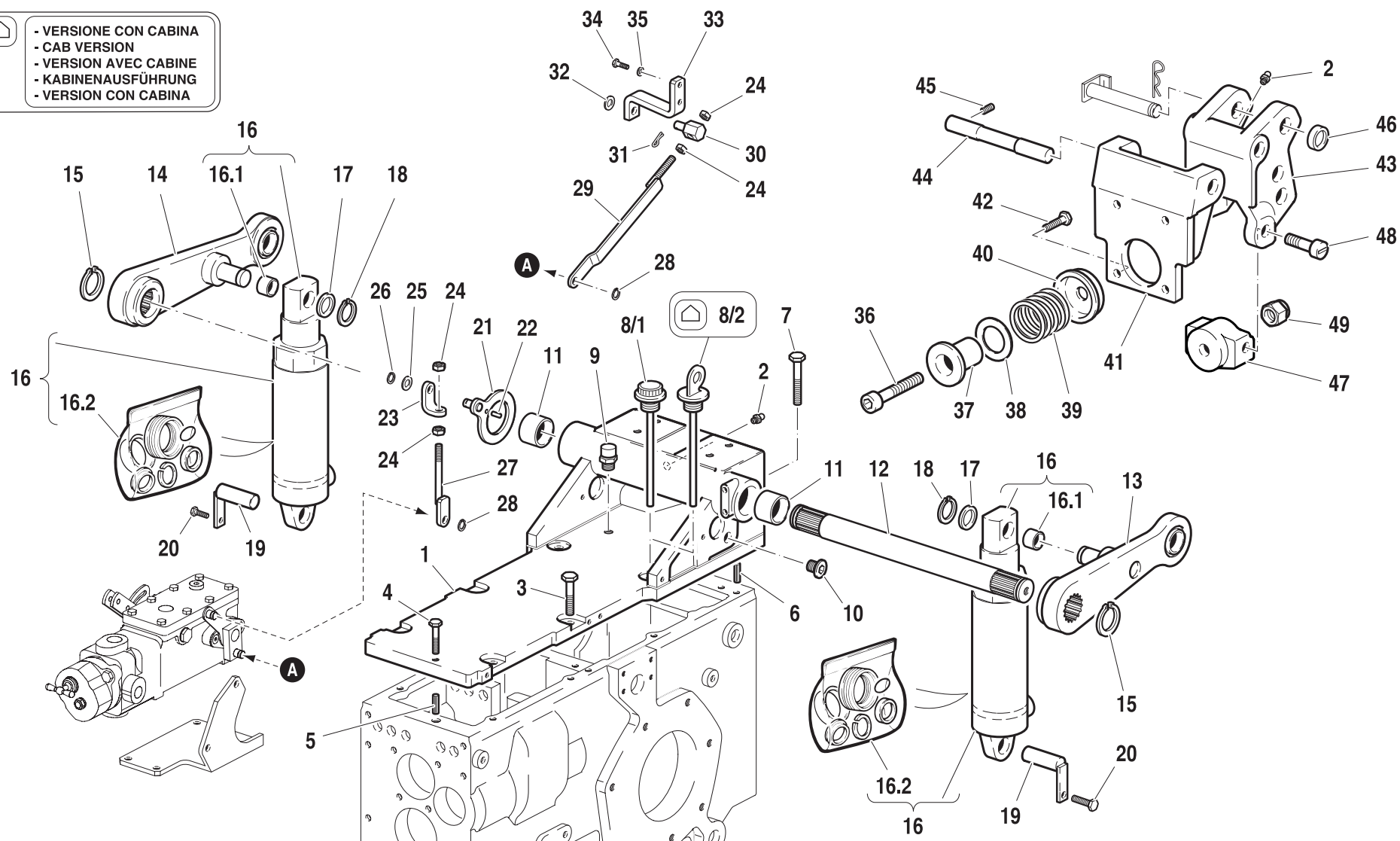
2 OR 3 ADITONAL CONTROL VALVES WITH (CAB VERSION)

Version: 30-40CV

CODE REV

L.06.01_0_21487

- VERSIONE CON CABINA
- CAB VERSION
- VERSION AVEC CABINE
- KABINENAUSFÜHRUNG
- VERSION CON CABINA



Pos.	Code	Q.ty	Description	Notes
1	51172366	1	SUPPORT	
2	F0826056000	1	LUBRICATOR M10 UNI 7663A	
3	31112219	1	SCREW TE M10X25 UNI 5739	
4	31112154	1	SCREW TE M8X40 UNI 5739 8G	
5	56170017	1	PIN	
6	56370228	1	CYLINDRICAL PLUG	
7	F0863358000	1	SCREW TE M10X40 UNI 5737	
8/1	58071805	1	PLUG	
8/2	58075547	1	OIL LEVEL ROD	
9	30040005	1	PLUG	
10	58072045	1	PLUG	
11	58171861	1	BUSHING	
12	56571785	1	SHAFT	
13	59071783	1	LIFTING ARM	
14	59075512	1	RIGHT ARM	
15	F0801264050	1	SEEGER RING E 35X2,5 U/7436	
16	58071534	1	LIFTING CYLINDER	
17	56172905	1	THRUST PLATE	
18	F0801149010	1	SEEGER RING E 20 7436D/471-2	
19	59071786	1	HINGE PIN	
20	31111151	1	SCREW TE M8X16 UNI 5739 8G	
21	59075467	1	SHIM	
22	56570506	1	PIN	
23	56375471	1	BRACKET	
24	F0814569000	1	NUT M8 UNI 5589 CL:8	
25	31411104	1	WASHER 10,5x18	
26	F0801050000	1	SEEGER RING E 10 UNI 7435	
27	59076160	1	ROD	
28	35211070	1	SEEGER RING E 7 UNI 7434	
29	59075476	1	ROD	
30	56075265	1	HINGE PIN	
31	34110030	1	SPLIT PIN	
32	31411104	1	WASHER 10,5x18	
33	56075473	1	BRACKET	

SERIAL

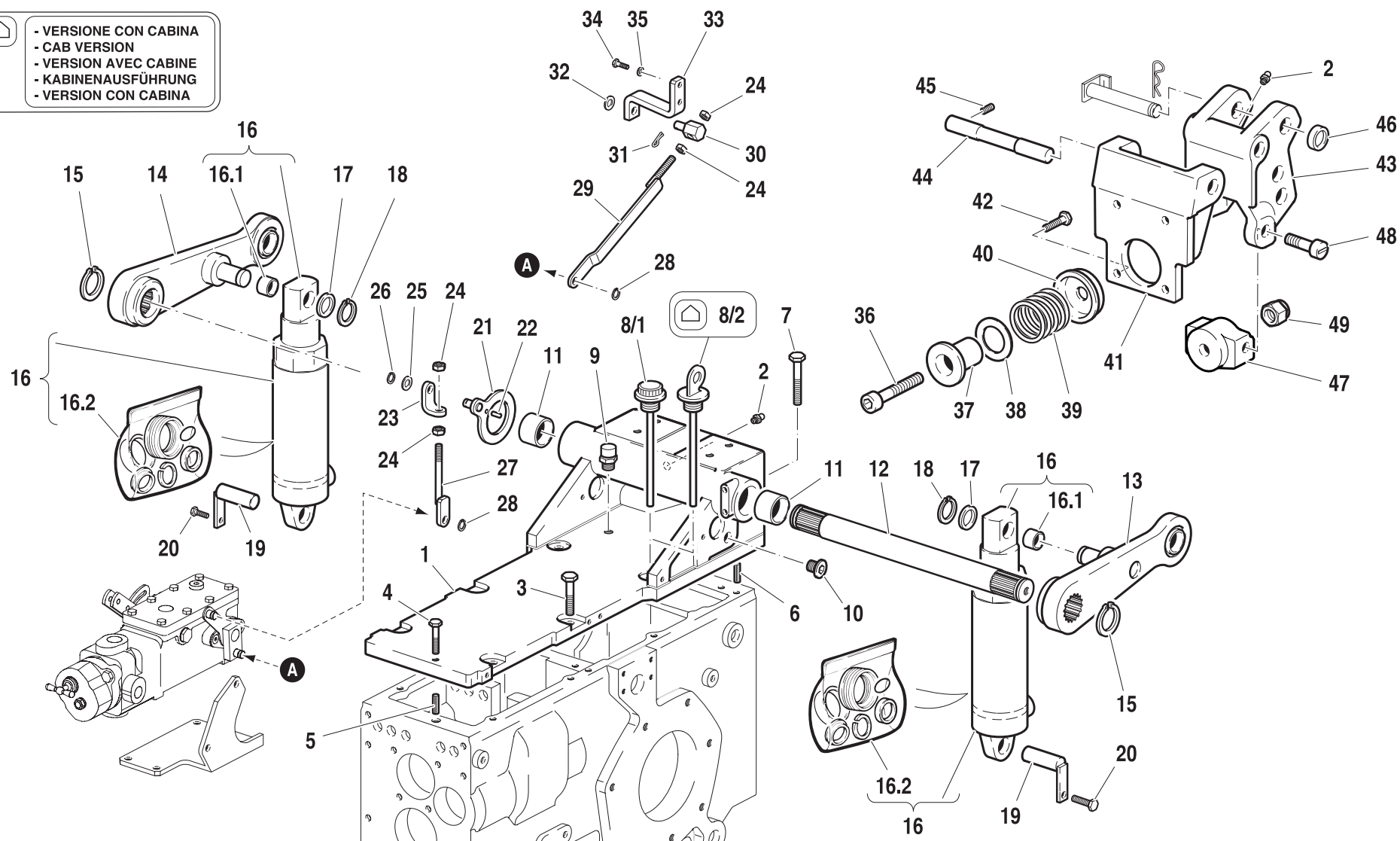
POSITION AND DRAFT CONTROL LIFT

Version: 30-40CV

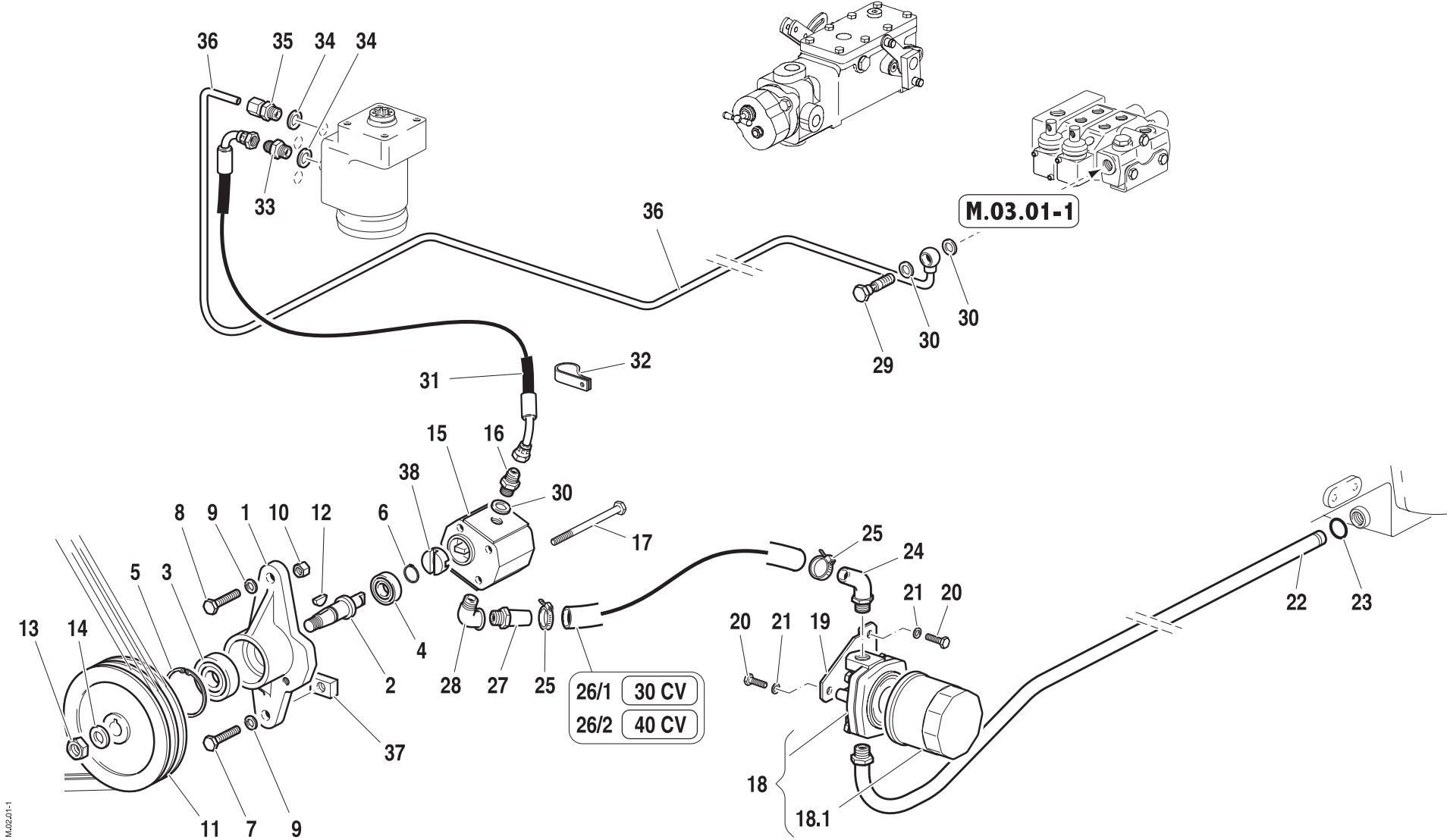
CODE REV

M.01.01_1_21524

- VERSIONE CON CABINA
- CAB VERSION
- VERSION AVEC CABINE
- KABINENAUSFÜHRUNG
- VERSION CON CABINA



Pos.	Code	Q.ty	Description	Notes
34	31112093	1	SCREW TE M6X20 UNI 5739 8G	
35	F0843570000	1	WASHER 6	
36	F0864322100	1	SCREW M14X1,5/70 UNI5932	
37	56072960	1	SLEEVE	
38	56372952	1	SHIM	
38	56372953	1	SHIM	
38	56372954	1	SHIM	
38	56372955	1	SHIM	
39	58073192	1	SPRING	
40	56073148	1	SLEEVE	
41	51372479	1	BRACKET	
42	31112211	1	SCREW TE M10X30 UNI 5739	
43	51173115	1	THREE-POINT LINKAGE	
44	56472318	1	HINGE PIN	
45	F0862443010	1	SCREW M8X10 UNI 5927	
46	58071757	1	WASHER D.33x19,5/8	
47	51172962	1	SLEEVE	
48	56572959	1	PIN	
49	31241142	1	SELFLOCK NUT M14x1,5	



M.02.01-1

Pos.	Code	Q.ty	Description	Notes
1	51172830	1	SUPPORT	
2	56372831	1	SHAFT	
3	37112172	1	BEARING	
4	F0812523050	1	BEARING 6201-2RS	
5	35111047	1	SEEGER RING I 47 DIN 472	
6	F0801127050	1	SEEGER RING E 17X1,5 U/7436	
7	F0863359000	1	SCREW M10X40 UNI 5737	
8	F0863449000	1	SCREW M10X50 UNI 5737	
9	F0843755000	1	WASHER 10	
10	31211100	1	NUT M10	
11	51172832	1	PULLEY	
12	58172914	1	KEY	
13	F0814688010	1	NUT M12X1,5	
14	58172915	1	WASHER	
15	58174697	1	PUMP	
16	F0835024010	1	NIPPLE	
17	31112174	1	SCREW TE M8X110 UNI 5737 8.8	
18	58173337	1	FILTER	
18.1	58173642	1	FILTER INSERT	
19	56173338	1	FILTER SUPPORT	
20	31111151	1	SCREW TE M8X16 UNI 5739 8G	
21	F0843643060	1	WASHER 8	
22	59073339	1	SUCTION PIPE	
23	38112507	1	O-RING 3100 (25,07X2,62)	
24	59073340	1	SUCTION PIPE	
25	F0817523010	1	CLAMP	
26/1	58173543	1	FLEXIBLE HOSE	
26/2	58173053	1	FLEXIBLE HOSE	
27	56172917	1	PIPE FITTING	
28	F0840544000	1	ELBOW	
29	F0843109020	1	PIPE FITTING	
30	F0824110000	1	COPPER WASHER 3/8 GAS	
31	58074161	1	FLEXIBLE HOSE	
32	F0825416000	1	CLAMP	

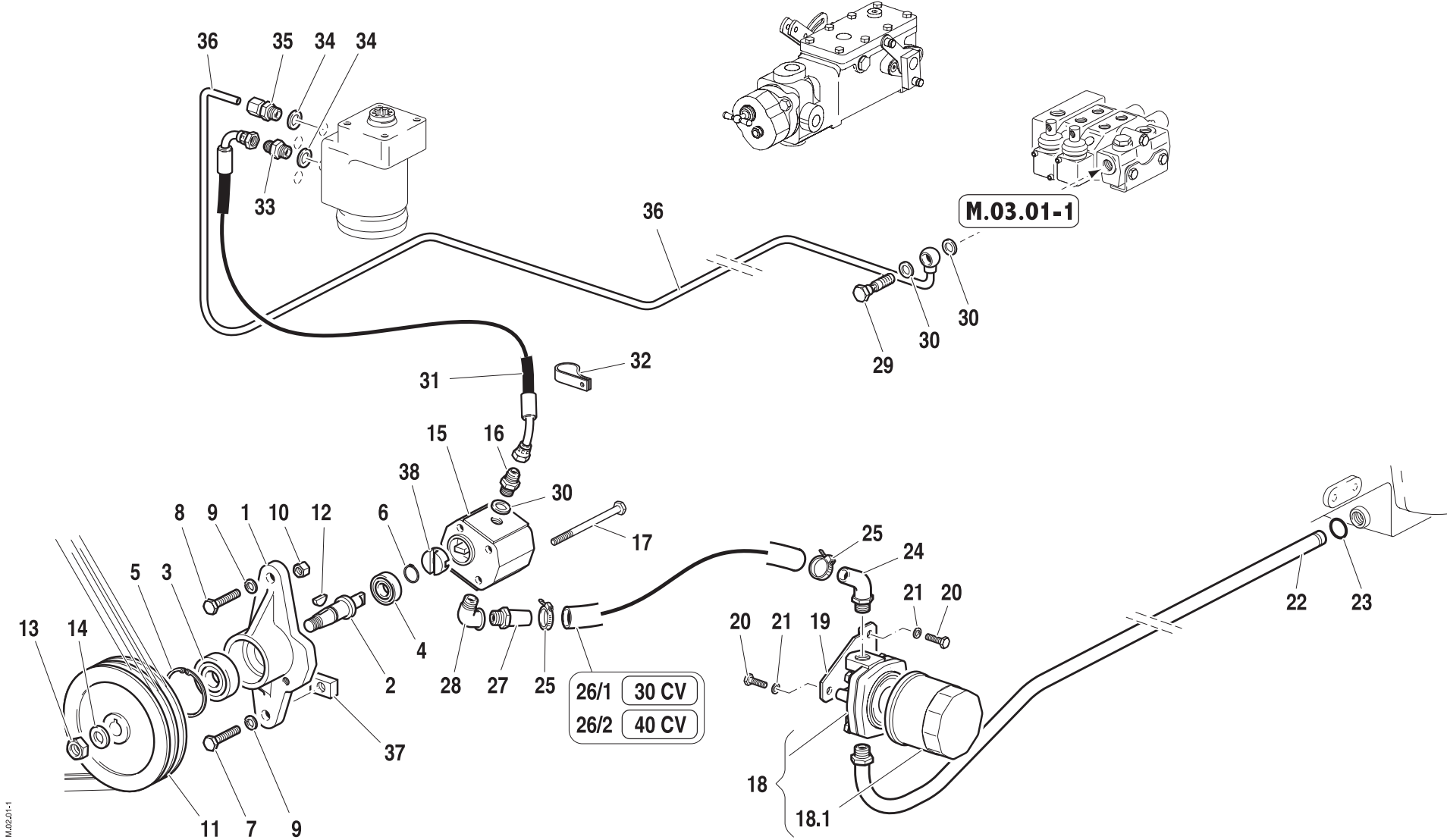
SERIAL

HYDRAULIC SYSTEM (OIL SUCTION)

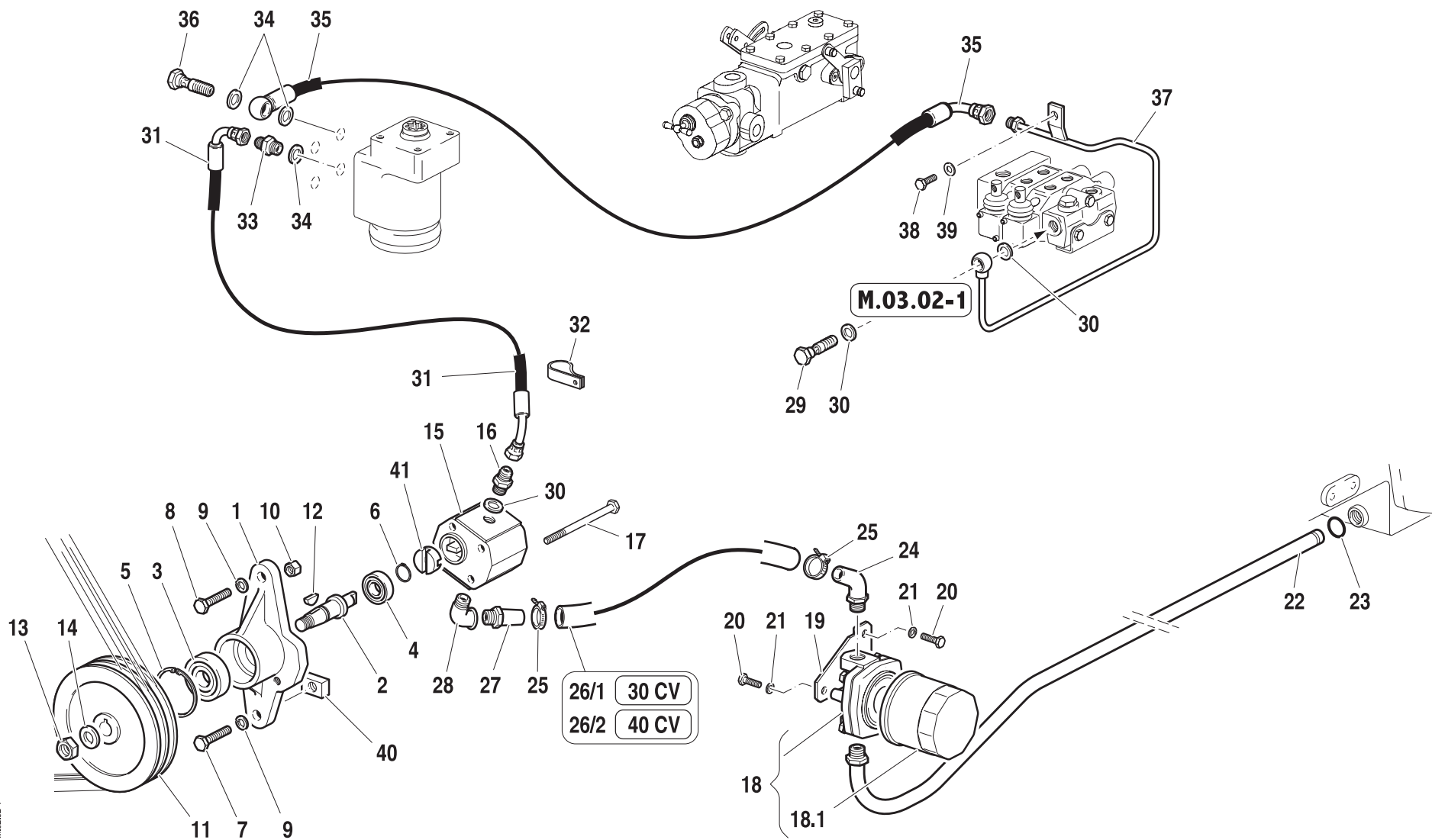
Version: 30-40CV

CODE REV

M.02.01_1_21578



Pos.	Code	Q.ty	Description	Notes
33	F0835037000	1	NIPPLE	
34	F0824141000	1	COPPER WASHER 21x27/1,5	
35	58173539	1	PIPE FITTING	
36	59075528	1	PRESSURE PIPE	
37	56176373	1	LOCKING MECHANISM	
38	56477572	1	JOINT	



Pos.	Code	Q.ty	Description	Notes
1	51172830	1	SUPPORT	
2	56372831	1	SHAFT	
3	37112172	1	BEARING	
4	F0812523050	1	BEARING 6201-2RS	
5	35111047	1	SEEGER RING I 47 DIN 472	
6	F0801127050	1	SEEGER RING E 17X1,5 U/7436	
7	F0863359000	1	SCREW M10X40 UNI 5737	
8	F0863449000	1	SCREW M10X50 UNI 5737	
9	F0843755000	1	WASHER 10	
10	31211100	1	NUT M10	
11	51172832	1	PULLEY	
12	58172914	1	KEY	
13	F0814688010	1	NUT M12X1,5	
14	58172915	1	WASHER	
15	58174697	1	PUMP	
16	F0835024010	1	NIPPLE	
17	31112174	1	SCREW TE M8X110 UNI 5737 8.8	
18	58173337	1	FILTER	
18.1	58173642	1	FILTER INSERT	
19	56173338	1	FILTER SUPPORT	
20	31111151	1	SCREW TE M8X16 UNI 5739 8G	
21	F0843643060	1	WASHER 8	
22	59073339	1	SUCTION PIPE	
23	38112507	1	O-RING 3100 (25,07X2,62)	
24	59073340	1	SUCTION PIPE	
25	F0817523010	1	CLAMP	
26/1	58173543	1	FLEXIBLE HOSE	
26/2	58173053	1	FLEXIBLE HOSE	
27	56172917	1	PIPE FITTING	
28	F0840544000	1	ELBOW	
29	F0843109020	1	PIPE FITTING	
30	F0824110000	1	COPPER WASHER 3/8 GAS	
31	58074161	1	FLEXIBLE HOSE	
32	F0825416000	1	CLAMP	

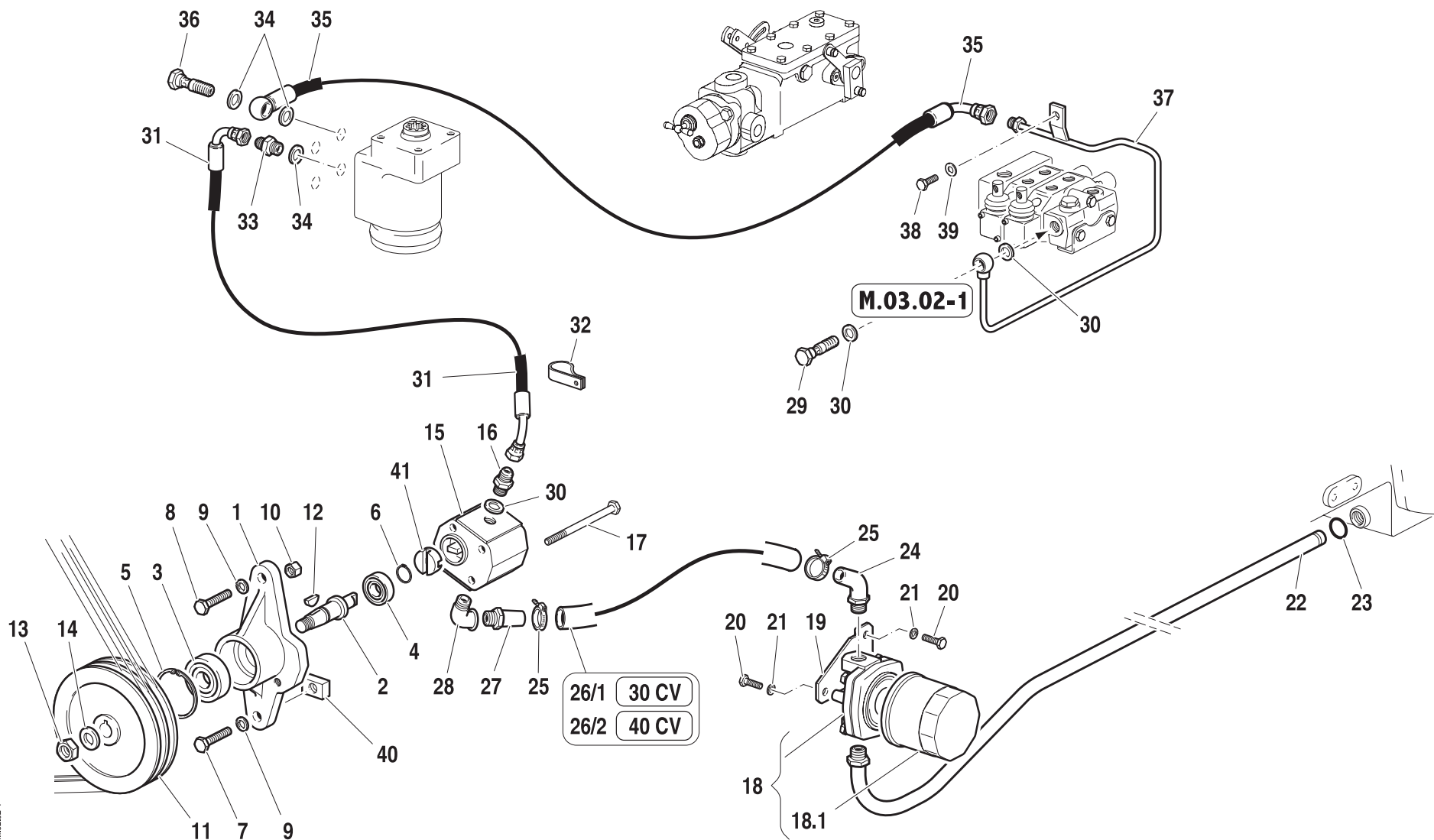
SERIAL

HYDRAULIC SYSTEM (OIL SUCTION) WITH CAB

Version: 30-40CV

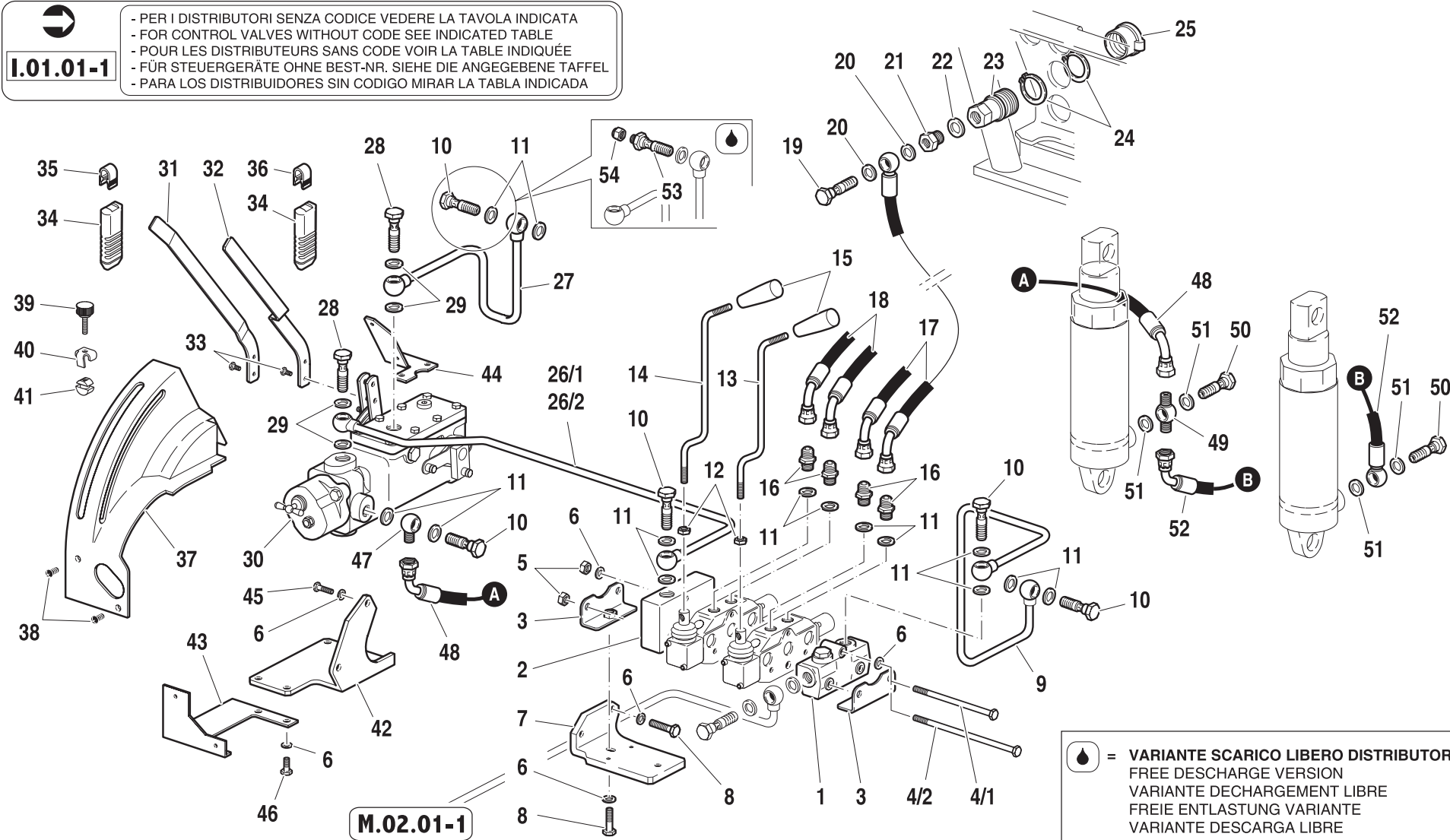
CODE REV

M.02.02_1_21619



Pos.	Code	Q.ty	Description	Notes
33	F0835037000	1	NIPPLE	
34	F0824141000	1	COPPER WASHER 21x27/1,5	
35	58075592	1	FLEXIBLE HOSE	
36	F0843116000	1	PIPE FITTING 1/2	
37	59075596	1	PRESSURE PIPE	
38	31111091	1	SCREW E M6X14 UNI 5739 8G	
39	F0843570000	1	WASHER 6	
40	56176373	1	LOCKING MECHANISM	
41	56477572	1	JOINT	

- PER I DISTRIBUTORI SENZA CODICE VEDERE LA TAVOLA INDICATA
 - FOR CONTROL VALVES WITHOUT CODE SEE INDICATED TABLE
 - POUR LES DISTRIBUTEURS SANS CODE VOIR LA TABLE INDIQUÉE
 - FÜR STEUERGERÄTE OHNE BEST-NR. SIEHE DIE ANGELEGEBENE TAFEL
 - PARA LOS DISTRIBUIDORES SIN CODIGO MIRAR LA TABLA INDICADA

I.01.01-1

M.02.01-1

= **VARIANTE SCARICO LIBERO DISTRIBUTORI**
 FREE DISCHARGE VERSION
 VARIANTE DECHARGEMENT LIBRE
 FREIE ENTLASTUNG VARIANTE
 VARIANTE DESCARGA LIBRE

Pos.	Code	Q.ty	Description	Notes
1	58174700	1	HEAD	
2	58173361	1	COVER	
3	59072057	1	FIXING BRACKET	
4/1	58172490	1	ROD	
4/2	58172016	1	ROD	
5	31211080	1	NUT M8	
6	F0843643060	1	WASHER 8	
7	56172750	1	RETAINER	
8	31112146	1	SCREW TE M8X22 UNI 5739 8G	
9	59072787	1	EXHAUST	
10	F0843109020	1	PIPE FITTING	
11	F0824110000	1	COPPER WASHER 3/8 GAS	
12	31211100	1	NUT M10	
13	56175566	1	COMMAND LEVER	
14	56175567	1	COMMAND LEVER	
15	F0837534010	1	GRIP	
16	F0835023000	1	NIPPLE	
17	58072795	1	FLEXIBLE HOSE	
18	58075877	1	FLEXIBLE HOSE	
19	F0843107000	1	PIPE FITTING GAS 1/4	
20	F0843907000	1	COPPER WASHER 13,66x19/1,5	
21	F0835040020	1	REDUCTION	
22	F0824141000	1	COPPER WASHER 21x27/1,5	
23	F0825980030	1	COUPLING	
24	F0801297000	1	SEEGER RING E 40 UNI 7435	
25	F0852550010	1	GUARD	
26/1	59075475	1	PRESSURE PIPE	
26/2	59075474	1	PRESSURE PIPE	
27	59075530	1	EXHAUST	
28	F0843116000	1	PIPE FITTING 1/2	
29	F0824141000	1	COPPER WASHER 21x27/1,5	
30	58175472	1	DISTRIBUTOR	
31	56075483	1	COMMAND LEVER	
32	59075482	1	COMMAND LEVER	


SERIAL

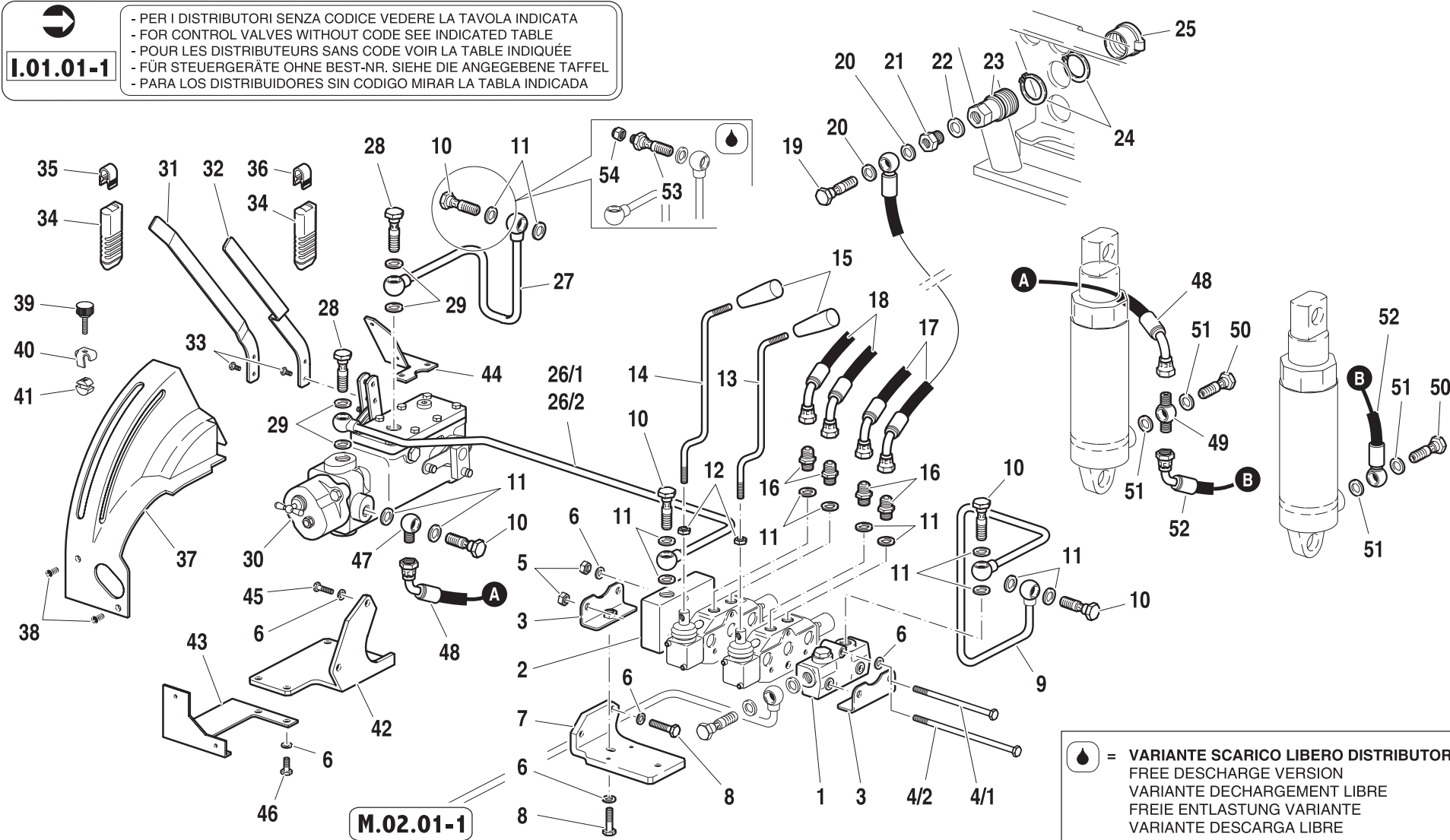
LIFT WITH 2 D.E. CONTROL VALVES

Version: 30-40CV

CODE REV

M.03.01_1_21663

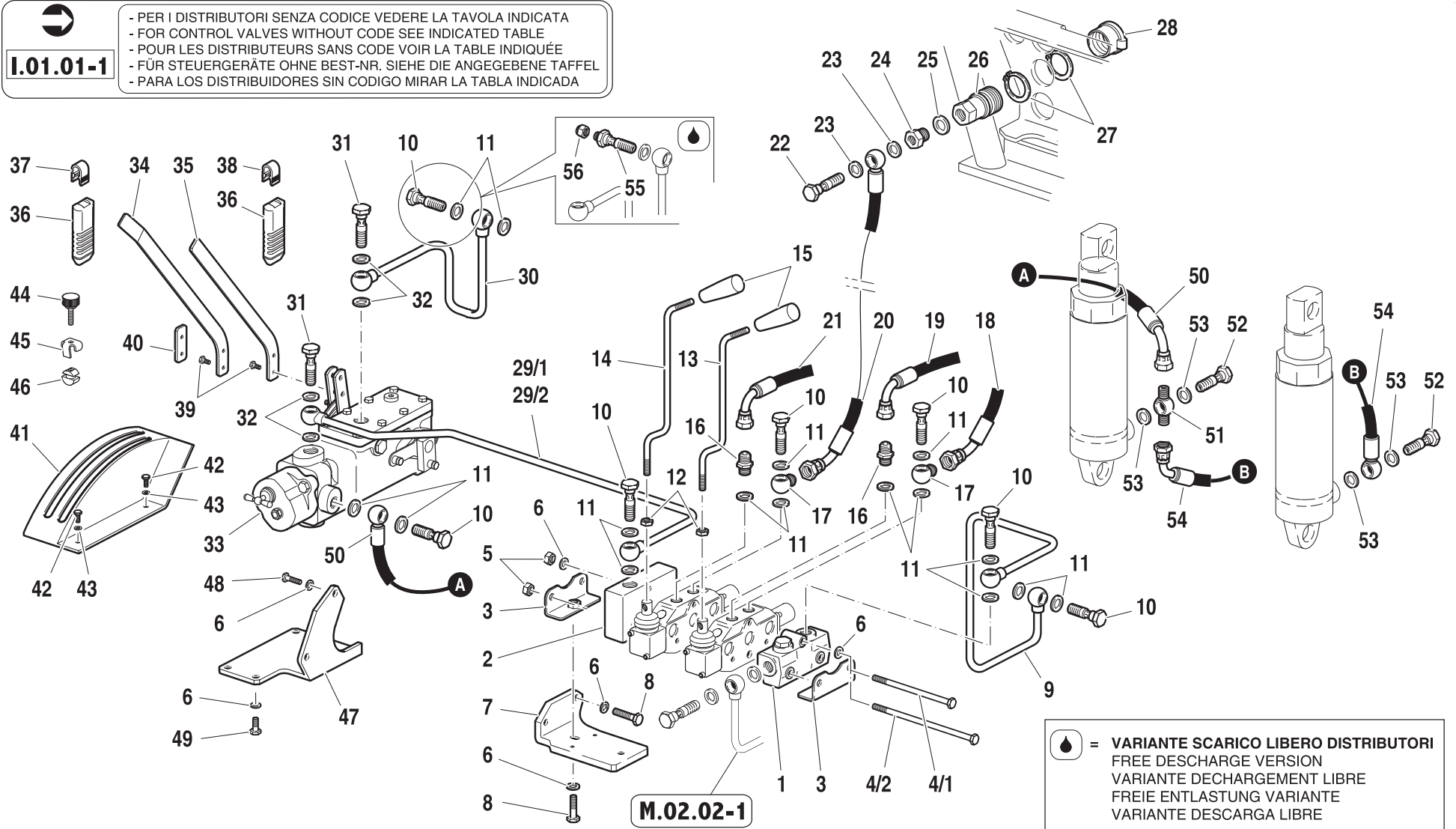

 - PER I DISTRIBUTORI SENZA CODICE VEDERE LA TAVOLA INDICATA
 - FOR CONTROL VALVES WITHOUT CODE SEE INDICATED TABLE
 - POUR LES DISTRIBUTEURS SANS CODE VOIR LA TABLE INDIQUÉE
 - FÜR STEUERGERÄTE OHNE BEST-NR. SIEHE DIE ANGELEGEBENE TAFEL
 - PARA LOS DISTRIBUIDORES SIN CODIGO MIRAR LA TABLA INDICADA

I.01.01-1

M.02.01-1

 = **VARIANTE SCARICO LIBERO DISTRIBUTORI**
 FREE DISCHARGE VERSION
 VARIANTE DECHARGEMENT LIBRE
 FREIE ENTLASTUNG VARIANTE
 VARIANTE DESCARGA LIBRE

Pos.	Code	Q.ty	Description	Notes
33	31111090	1	SCREW TE M5X10 UNI 5739 8G	
34	58175187	1	KNOB	
35	58175211	1	INSERT	
36	58175188	1	INSERT	
37	57375465	1	COVER	
38	F0861973000	1	SCREW M6X10 COMBI	
39	58175196	1	KNOB	
40	56075197	1	CLIP	
41	56075198	1	SMALL BLOCK	
42	56075481	1	BRACKET	
43	56075479	1	RETAINER	
44	56075480	1	BRACKET	
45	31112150	1	SCREW TE M8X20 UNI 5739 8G	
46	31112147	1	SCREW TE M8X18 UNI 5739 8G	
47	F0842505010	1	EYELET	
48	58075531	1	FLEXIBLE HOSE	
49	F0842519050	1	PIPE FITTING	
50	F0843107000	1	PIPE FITTING GAS 1/4	
51	F0843907000	1	COPPER WASHER 13,66x19/1,5	
52	58072269	1	FLEXIBLE HOSE	
53	56373163	1	PIPE UNION	
54	F0852589000	1	PLUG	

- PER I DISTRIBUTORI SENZA CODICE VEDERE LA TAVOLA INDICATA
 - FOR CONTROL VALVES WITHOUT CODE SEE INDICATED TABLE
 - POUR LES DISTRIBUTEURS SANS CODE VOIR LA TABLE INDIQUÉE
 - FÜR STEUERGERÄTE OHNE BEST-NR. SIEHE DIE ANGEGEBENE TAFEL
 - PARA LOS DISTRIBUIDORES SIN CODIGO MIRAR LA TABLA INDICADA

I.01.01-1


Pos.	Code	Q.ty	Description	Notes
1	58174700	1	HEAD	
2	58173361	1	COVER	
3	59072057	1	FIXING BRACKET	
4/1	58172490	1	ROD	
4/2	58172016	1	ROD	
5	31211080	1	NUT M8	
6	F0843643060	1	WASHER 8	
7	56172750	1	RETAINER	
8	31112146	1	SCREW TE M8X22 UNI 5739 8G	
9	59072787	1	EXHAUST	
10	F0843109020	1	PIPE FITTING	
11	F0824110000	1	COPPER WASHER 3/8 GAS	
12	31211100	1	NUT M10	
13	56175566	1	COMMAND LEVER	
14	56175567	1	COMMAND LEVER	
15	F0837534010	1	GRIP	
16	F0835023000	1	NIPPLE	
17	F0842505010	1	EYELET	
18	58075373	1	FLEXIBLE HOSE	
19	58072796	1	FLEXIBLE HOSE	
20	58072795	1	FLEXIBLE HOSE	
21	F0150028193	1	FLEXIBLE HOSE	
22	F0843107000	1	PIPE FITTING GAS 1/4	
23	F0843907000	1	COPPER WASHER 13,66x19/1,5	
24	F0835040020	1	REDUCTION	
25	F0824141000	1	COPPER WASHER 21x27/1,5	
26	F0825980030	1	COUPLING	
27	F0801297000	1	SEEGER RING E 40 UNI 7435	
28	F0852550010	1	GUARD	
29/1	59075595	1	PRESSURE PIPE	
29/2	59075594	1	PRESSURE PIPE	
30	59075530	1	EXHAUST	
31	F0843116000	1	PIPE FITTING 1/2	
32	F0824141000	1	COPPER WASHER 21x27/1,5	

SERIAL

LIFT WITH 2 D.E. CONTROL VALVES (CAB VERSION)

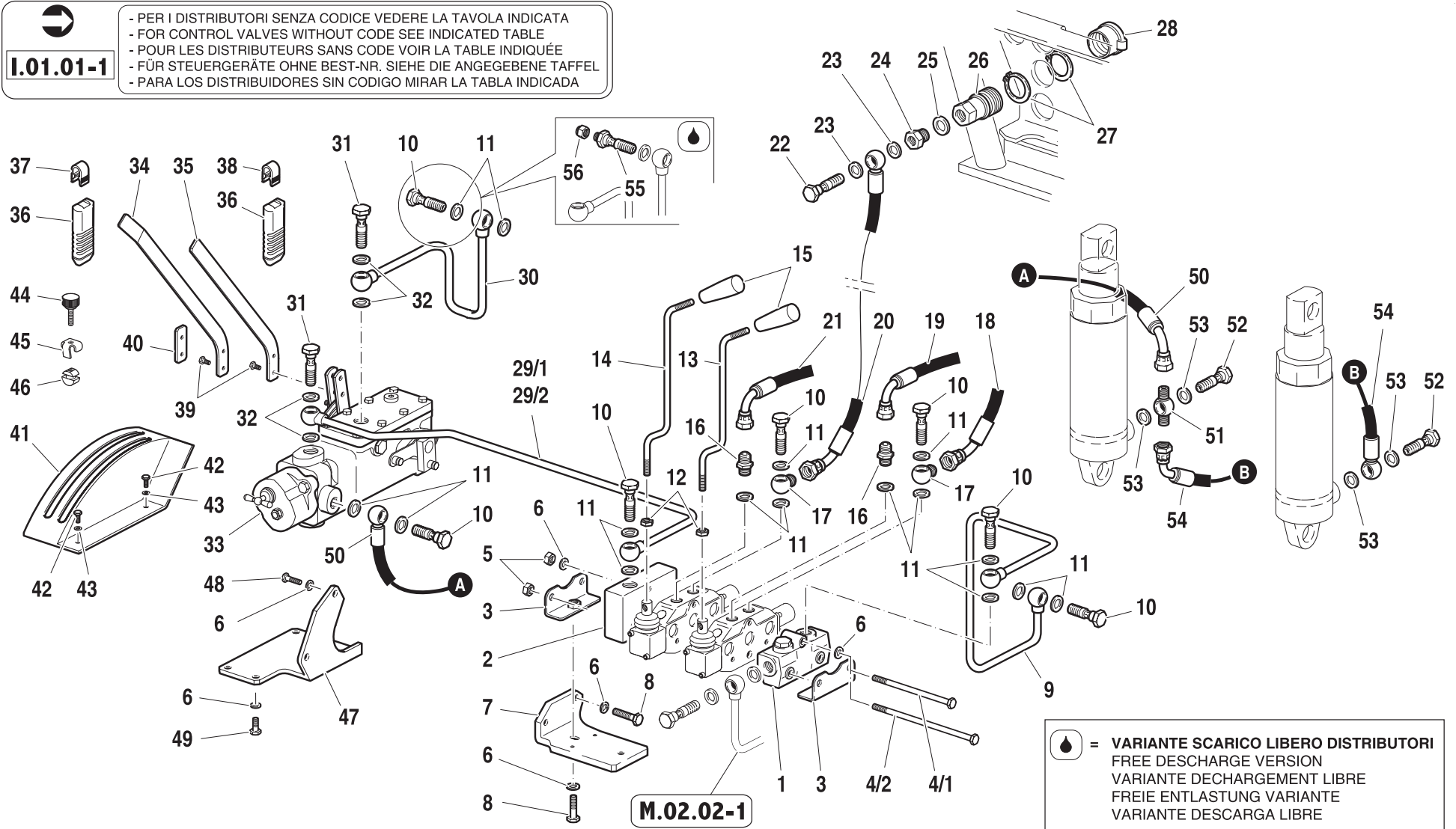
Version: 30-40CV

CODE REV

M.03.02_1_21720

I.01.01-1

- PER I DISTRIBUTORI SENZA CODICE VEDERE LA TAVOLA INDICATA
- FOR CONTROL VALVES WITHOUT CODE SEE INDICATED TABLE
- POUR LES DISTRIBUTEURS SANS CODE VOIR LA TABLE INDIQUÉE
- FÜR STEUERGERÄTE OHNE BEST-NR. SIEHE DIE ANGEGEBENE TAFEL
- PARA LOS DISTRIBUIDORES SIN CODIGO MIRAR LA TABLA INDICADA



Pos.	Code	Q.ty	Description	Notes
33	58175472	1	DISTRIBUTOR	
34	56075582	1	COMMAND LEVER	
36	58175187	1	KNOB	
37	58175211	1	INSERT	
38	58175188	1	INSERT	
39	31111090	1	SCREW TE M5X10 UNI 5739 8G	
40	56075578	1	SHEET	
41	57375605	1	COVER	
42	31112090	1	SCREW TE M6X16 UNI 5739 8G	
43	F0843570000	1	WASHER 6	
44	58175196	1	KNOB	
45	56075197	1	CLIP	
46	56075198	1	SMALL BLOCK	
47	56075481	1	BRACKET	
48	31112150	1	SCREW TE M8X20 UNI 5739 8G	
49	31112147	1	SCREW TE M8X18 UNI 5739 8G	
50	58075591	1	FLEXIBLE HOSE	
51	F0842519050	1	PIPE FITTING	
52	F0843107000	1	PIPE FITTING GAS 1/4	
53	F0843907000	1	COPPER WASHER 13,66x19/1,5	
54	58072269	1	FLEXIBLE HOSE	
55	56373163	1	PIPE UNION	
56	F0852589000	1	PLUG	

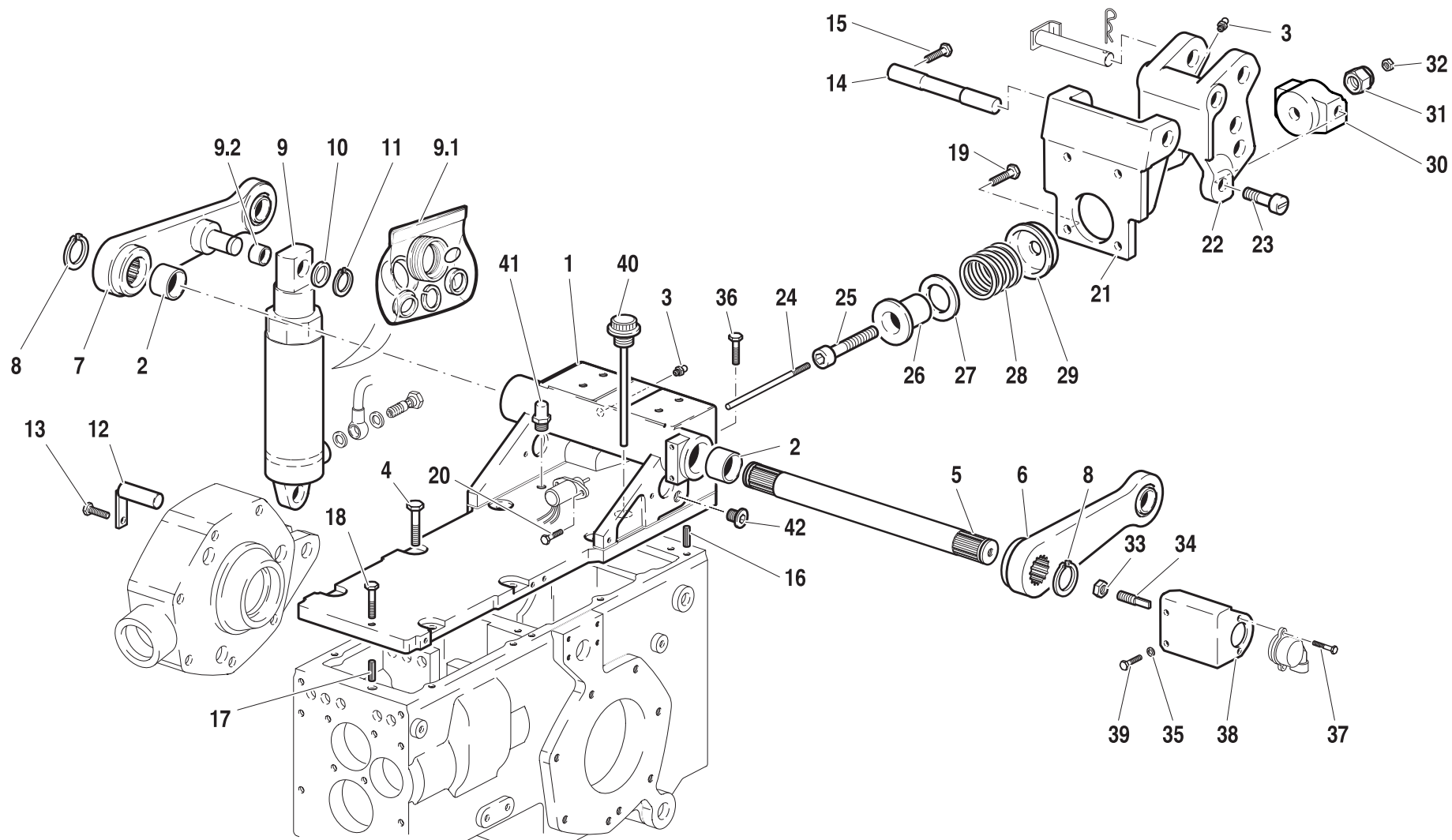
SERIAL

LIFT WITH 2 D.E. CONTROL VALVES (CAB VERSION)

Version: 30-40CV

CODE REV

M.03.02_1_21720



Pos.	Code	Q.ty	Description	Notes
1	51172366	1	SUPPORT	
2	58171861	1	BUSHING	
3	F0826056000	1	LUBRICATOR M10 UNI 7663A	
4	31112219	1	SCREW TE M10X25 UNI 5739	
5	56571785	1	SHAFT	
6	59072829	1	LIFTING ARM	
7	59071771	1	RIGHT ARM	
8	F0801264050	1	SEEGER RING E 35X2,5 U/7436	
9	58071534	1	LIFTING CYLINDER	
9.1	59900181	1	GASKET SET	
9.2	59900180	1	BUSHING	
10	56172905	1	THRUST PLATE	
11	F0801149010	1	SEEGER RING E 20 7436D/471-2	
12	59071786	1	HINGE PIN	
13	31111151	1	SCREW TE M8X16 UNI 5739 8G	
14	56472318	1	HINGE PIN	
15	F0862443010	1	SCREW M8X10 UNI 5927	
16	56370228	1	CYLINDRICAL PLUG	
17	56170017	1	PIN	
18	31112154	1	SCREW TE M8X40 UNI 5739 8G	
19	31112211	1	SCREW TE M10X30 UNI 5739	
20	F0861929060	1	SCREW M5X12 UNI 5739	
21	51372479	1	BRACKET	
22	51173115	1	THREE-POINT LINKAGE	
23	56572959	1	PIN	
24	56172483	1	PIN	
25	58072484	1	SCREW	
26	56072960	1	SLEEVE	
27	56372952	1	SHIM	
27	56372953	1	SHIM	
27	56372954	1	SHIM	
27	56372955	1	SHIM	
28	58073192	1	SPRING	
29	56073148	1	SLEEVE	

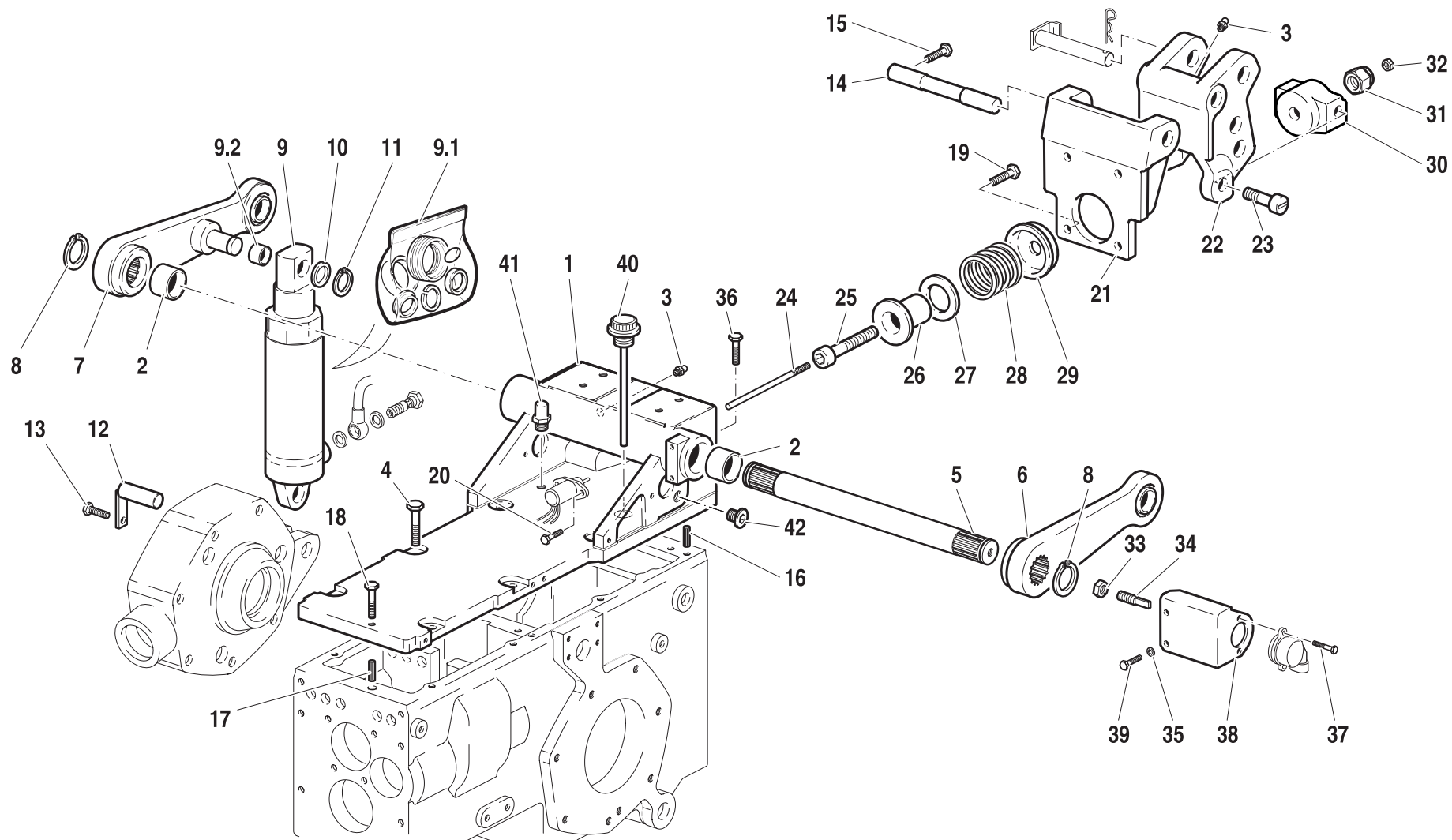
SERIAL

ELECTRONIC CONTROL LIFT (1 LIFTING JACK VERSION)

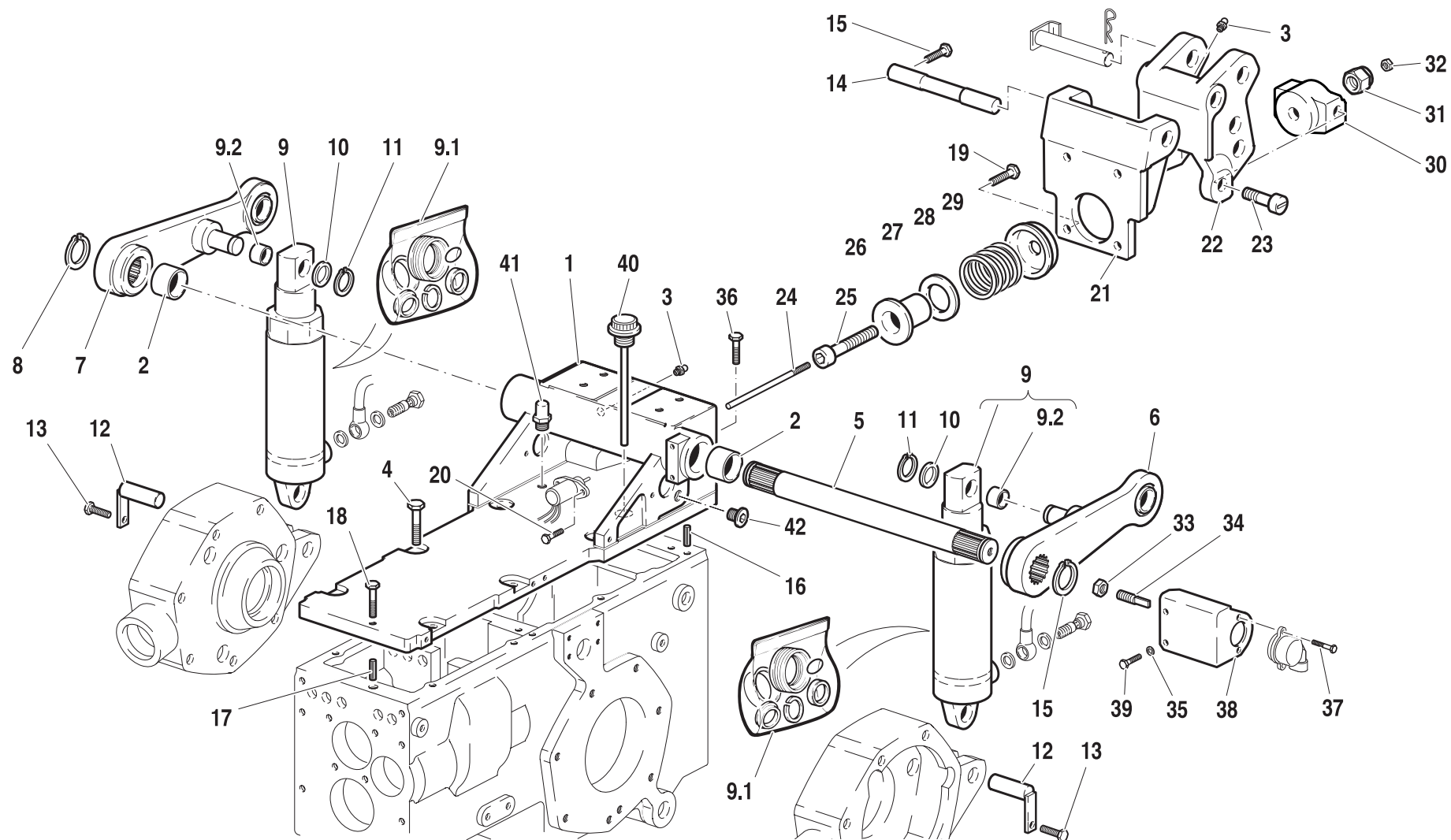
Version: 30-40CV

CODE REV

N.01.01_0_21778



Pos.	Code	Q.ty	Description	Notes
30	51172962	1	SLEEVE	
31	31241142	1	SELFLOCK NUT M14x1,5	
32	F0814535050	1	NUT M6	
33	F0814627000	1	NUT M10	
34	56172926	1	PIN	
35	F0843570000	1	WASHER 6	
36	F0863358000	1	SCREW TE M10X40 UNI 5737	
37	31112049	1	SCREW TE M4X10 UNI 5739 8G	



Pos.	Code	Q.ty	Description	Notes
1	51172366	1	SUPPORT	
2	58171861	1	BUSHING	
3	F0826056000	1	LUBRICATOR M10 UNI 7663A	
4	31112219	1	SCREW TE M10X25 UNI 5739	
5	59071783	1	LIFTING ARM	
6	59072829	1	LIFTING ARM	
7	59071771	1	RIGHT ARM	
8	F0801264050	1	SEEGER RING E 35X2,5 U/7436	
9	58071534	1	LIFTING CYLINDER	
9.1	59900181	1	GASKET SET	
9.2	59900180	1	BUSHING	
10	56172905	1	THRUST PLATE	
11	F0801149010	1	SEEGER RING E 20 7436D/471-2	
12	59071786	1	HINGE PIN	
13	31111151	1	SCREW TE M8X16 UNI 5739 8G	
14	56472318	1	HINGE PIN	
15	F0862443010	1	SCREW M8X10 UNI 5927	
16	56370228	1	CYLINDRICAL PLUG	
17	56170017	1	PIN	
18	31112154	1	SCREW TE M8X40 UNI 5739 8G	
19	31112211	1	SCREW TE M10X30 UNI 5739	
20	F0861929060	1	SCREW M5X12 UNI 5739	
21	51372479	1	BRACKET	
22	51173115	1	THREE-POINT LINKAGE	
23	56572959	1	PIN	
24	56172483	1	PIN	
25	58072484	1	SCREW	
26	56072960	1	SLEEVE	
27	56372952	1	SHIM	
27	56372953	1	SHIM	
27	56372954	1	SHIM	
27	56372955	1	SHIM	
28	58073192	1	SPRING	
29	56073148	1	SLEEVE	

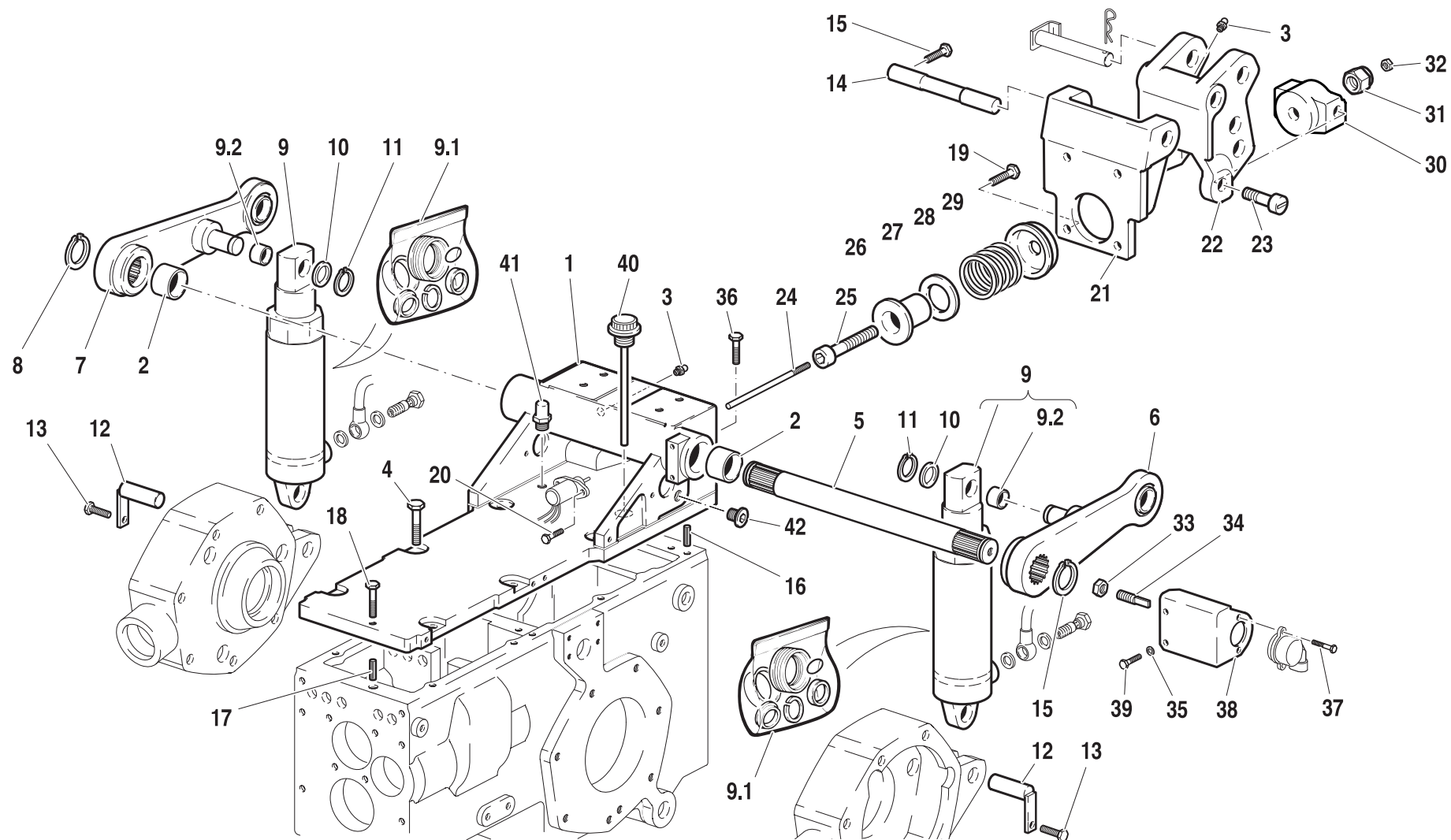
SERIAL

ELECTRONIC CONTROL LIFT (2 LIFTING JACKS VERSION)

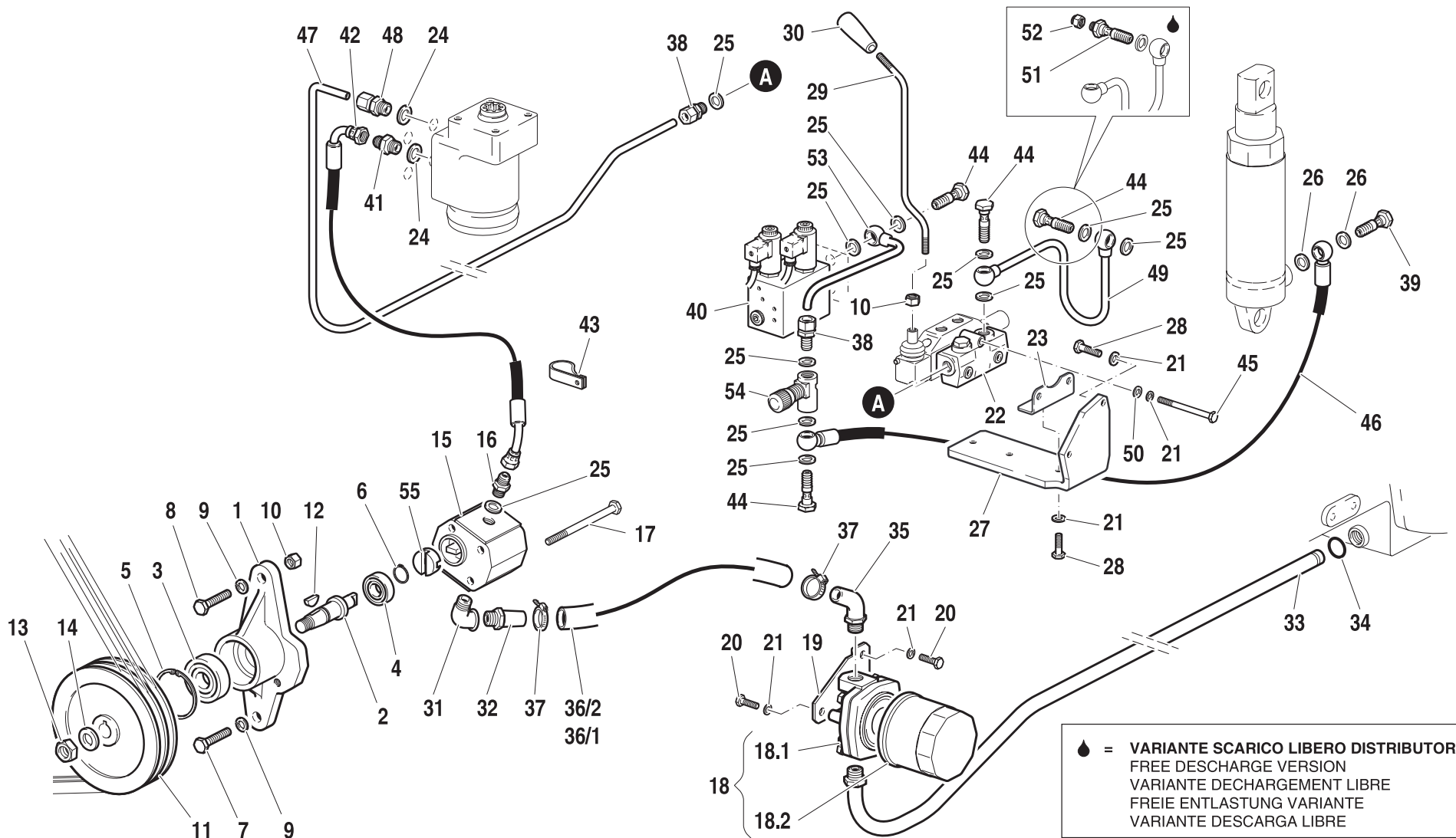
Version: 30-40CV

CODE REV

N.01.02_0_21821



Pos.	Code	Q.ty	Description	Notes
30	51172962	1	SLEEVE	
31	31241142	1	SELFLOCK NUT M14x1,5	
32	F0814535050	1	NUT M6	
33	F0814627000	1	NUT M10	
34	56172926	1	PIN	
35	F0843570000	1	WASHER 6	
36	F0863358000	1	SCREW TE M10X40 UNI 5737	
37	31112049	1	SCREW TE M4X10 UNI 5739 8G	



Pos.	Code	Q.ty	Description	Notes
1	51172830	1	SUPPORT	
2	56372831	1	SHAFT	
3	37112172	1	BEARING	
4	F0812523050	1	BEARING 6201-2RS	
5	35111047	1	SEEGER RING I 47 DIN 472	
6	F0801127050	1	SEEGER RING E 17X1,5 U/7436	
7	F0863359000	1	SCREW M10X40 UNI 5737	
8	F0863449000	1	SCREW M10X50 UNI 5737	
9	F0843755000	1	WASHER 10	
10	31211100	1	NUT M10	
11	51172832	1	PULLEY	
12	58172914	1	KEY	
13	F0814688010	1	NUT M12X1,5	
14	58172915	1	WASHER	
15	58174697	1	PUMP	
15.1	58172916	1	JOINT	
16	F0835024010	1	NIPPLE	
17	31112174	1	SCREW TE M8X110 UNI 5737 8.8	
18	58173337	1	FILTER	
18.1	F0825718010	1	FILTER HEAD	
18.2	58173642	1	FILTER INSERT	
19	56173338	1	FILTER SUPPORT	
20	31111151	1	SCREW TE M8X16 UNI 5739 8G	
21	F0843643060	1	WASHER 8	
22	58174700	1	HEAD	
23	59072057	1	FIXING BRACKET	
24	F0824141000	1	COPPER WASHER 21x27/1,5	
25	F0824110000	1	COPPER WASHER 3/8 GAS	
26	F0843907000	1	COPPER WASHER 13,66x19/1,5	
27	56172561	1	RETAINER	
28	31112146	1	SCREW TE M8X22 UNI 5739 8G	
29	56172769	1	COMMAND LEVER	
30	F0837534010	1	GRIP	
31	F0840544000	1	ELBOW	

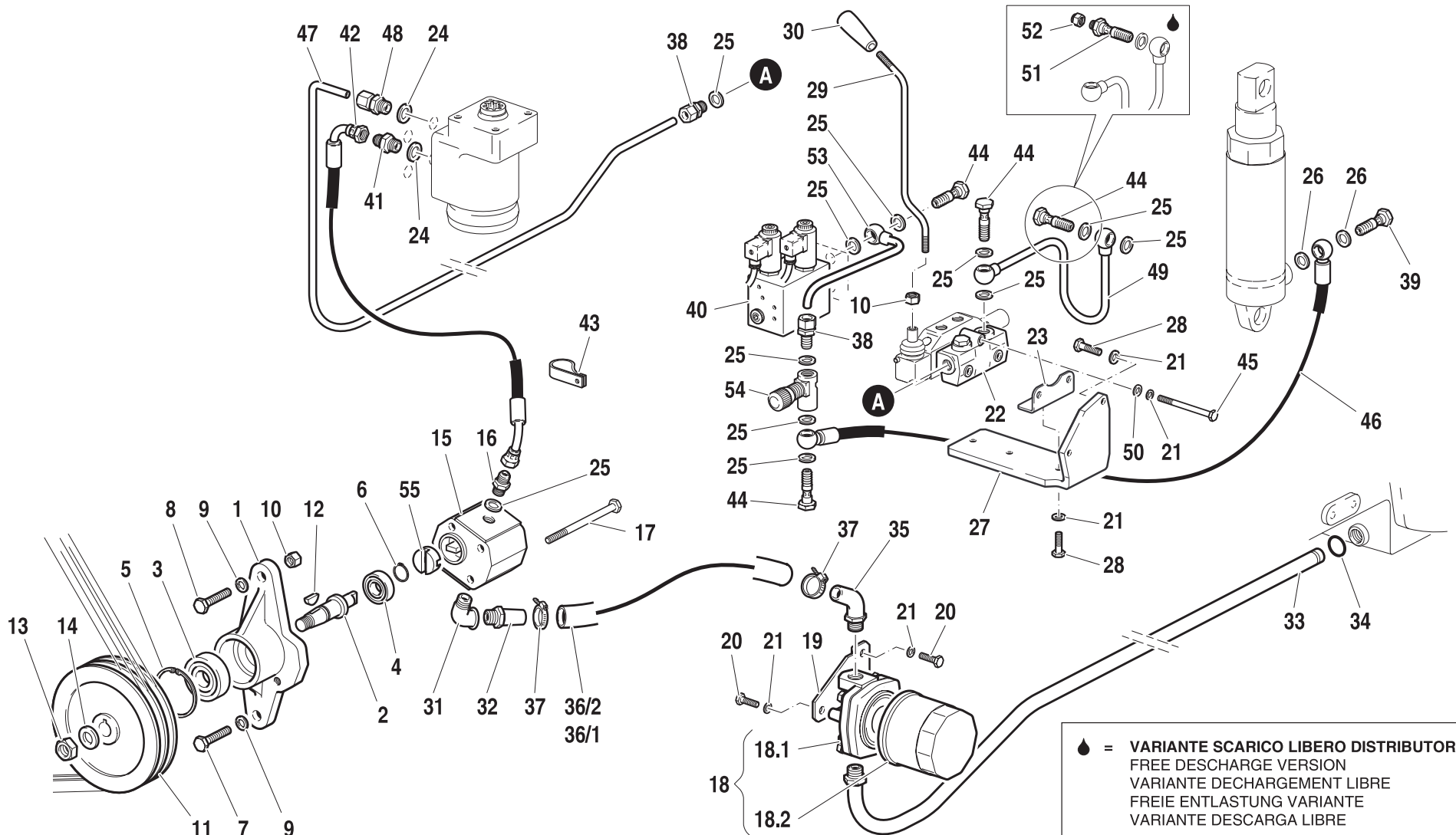
SERIAL

HYDRAULIC SYSTEM (1 LIFTING JACK VERSION)

Version: 30-40CV

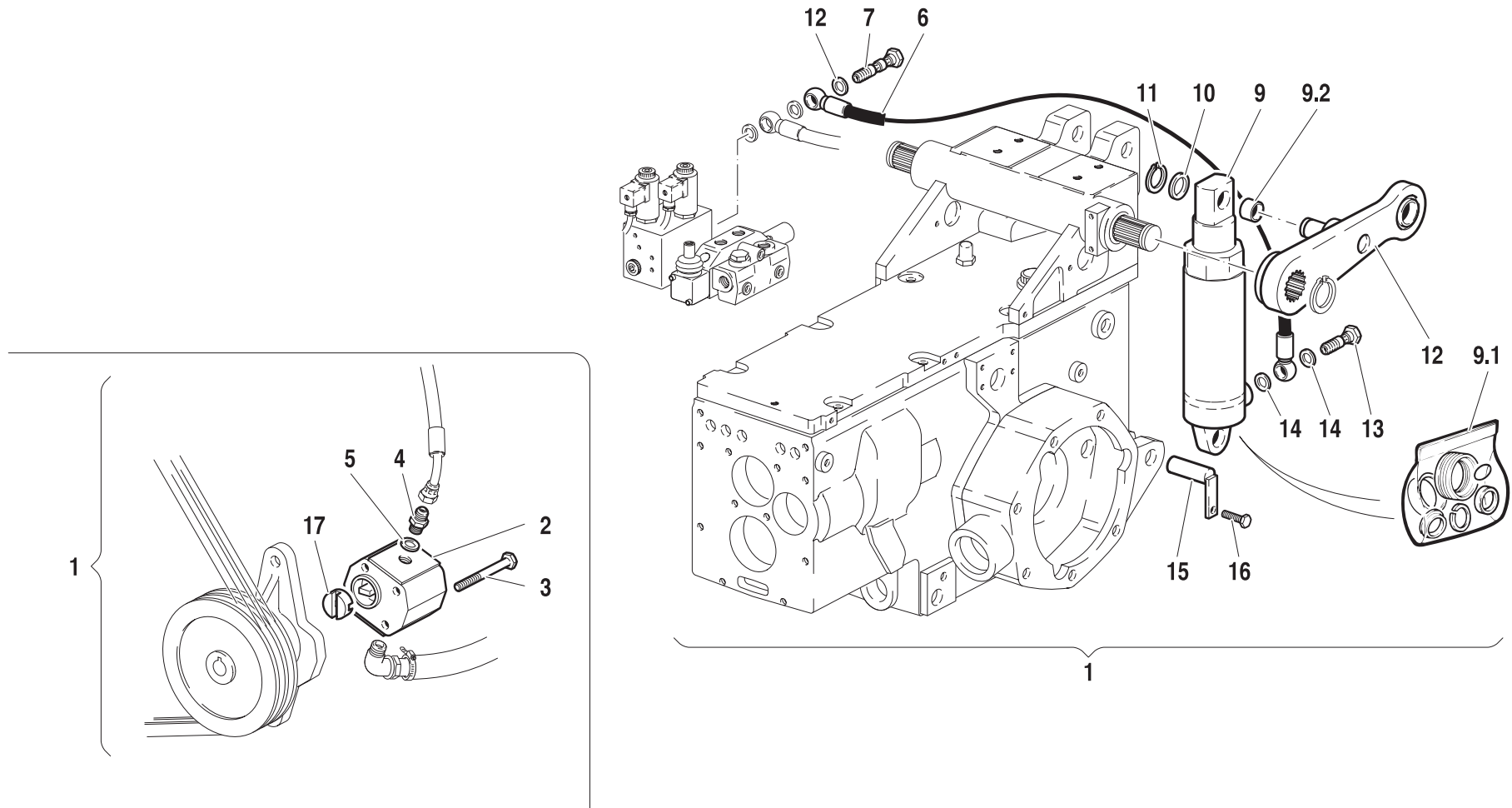
CODE REV

N.02.01_0_21864

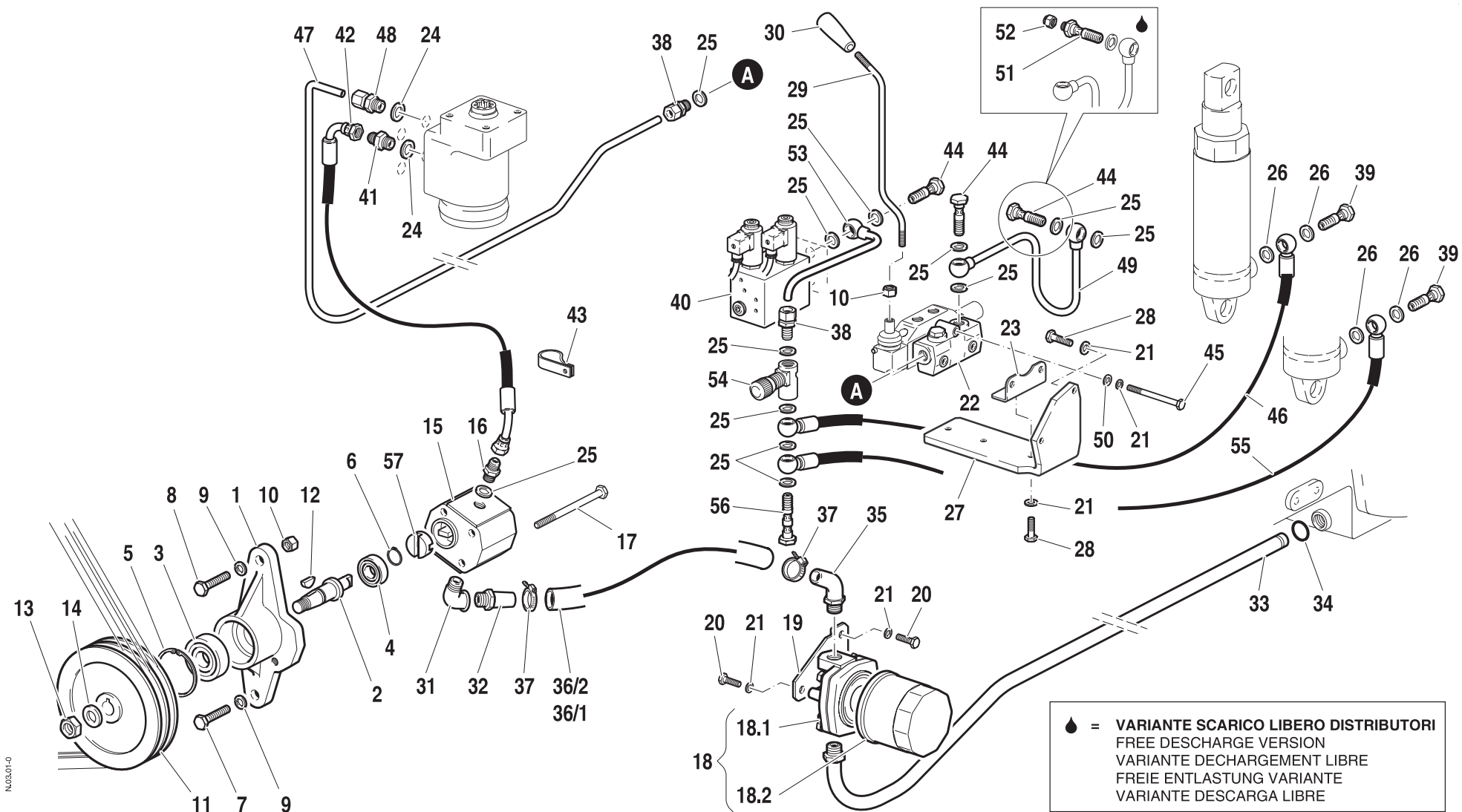


N.02.01-0

Pos.	Code	Q.ty	Description	Notes
32	56172917	1	PIPE FITTING	
33	59073339	1	SUCTION PIPE	
34	38112507	1	O-RING 3100 (25,07X2,62)	
35	59073340	1	SUCTION PIPE	
36/1	58173543	1	FLEXIBLE HOSE	
36/2	58173053	1	FLEXIBLE HOSE	
37	F0817523010	1	CLAMP	
38	58172015	1	PIPE FITTING	
39	F0843107000	1	PIPE FITTING GAS 1/4	
40	58173143	1	UNIT	
41	F0835037000	1	NIPPLE	
42	58074161	1	FLEXIBLE HOSE	
43	F0825416000	1	CLAMP	
44	F0843109020	1	PIPE FITTING	
45	31112158	1	SCREW TE M8X70 UNI 5737 8G	
46	58073544	1	FLEXIBLE HOSE	
47	59075453	1	DISTRIBUTING PIPE	
48	58173539	1	PIPE FITTING	
49	59073160	1	EXHAUST	
50	31411084	1	WASHER 8,4x17	
51	56373163	1	PIPE UNION	
52	F0852589000	1	PLUG	
53	59074664	1	PRESSURE PIPE	
54	P24117100000	1	VALVE	



Pos.	Code	Q.ty	Description	Notes
1	59978034	1	KIT	
2	58174697	1	PUMP	
2.1	58172916	1	JOINT	
3	31112174	1	SCREW TE M8X110 UNI 5737 8.8	
4	F0835037000	1	NIPPLE	
5	F0824141000	1	COPPER WASHER 21x27/1,5	
6	58073020	1	FLEXIBLE HOSE	
7	58172589	1	THREADED TERMINAL END	
8	F0824110000	1	COPPER WASHER 3/8 GAS	
9	58071534	1	LIFTING CYLINDER	
9.1	59900181	1	GASKET SET	
9.2	59900180	1	BUSHING	
10	56172905	1	THRUST PLATE	
11	F0801149010	1	SEEGER RING E 20 7436D/471-2	
12	59071783	1	LIFTING ARM	
13	F0843107000	1	PIPE FITTING GAS 1/4	
14	F0843907000	1	COPPER WASHER 13,66x19/1,5	
15	59071786	1	HINGE PIN	
16	31111151	1	SCREW TE M8X16 UNI 5739 8G	



N.03.01-0

Pos.	Code	Q.ty	Description	Notes
1	51172830	1	SUPPORT	
2	56372831	1	SHAFT	
3	37112172	1	BEARING	
4	F0812523050	1	BEARING 6201-2RS	
5	35111047	1	SEEGER RING I 47 DIN 472	
6	F0801127050	1	SEEGER RING E 17X1,5 U/7436	
7	F0863359000	1	SCREW M10X40 UNI 5737	
8	F0863449000	1	SCREW M10X50 UNI 5737	
9	F0843755000	1	WASHER 10	
10	31211100	1	NUT M10	
11	51172832	1	PULLEY	
12	58172914	1	KEY	
13	F0814688010	1	NUT M12X1,5	
14	58172915	1	WASHER	
15	58174697	1	PUMP	
15.1	58172916	1	JOINT	
16	F0835024010	1	NIPPLE	
17	31112174	1	SCREW TE M8X110 UNI 5737 8.8	
18	58173337	1	FILTER	
18.1	F0825718010	1	FILTER HEAD	
18.2	58173642	1	FILTER INSERT	
19	56173338	1	FILTER SUPPORT	
20	31111151	1	SCREW TE M8X16 UNI 5739 8G	
21	F0843643060	1	WASHER 8	
22	58174700	1	HEAD	
23	59072057	1	FIXING BRACKET	
24	F0824141000	1	COPPER WASHER 21x27/1,5	
25	F0824110000	1	COPPER WASHER 3/8 GAS	
26	F0843907000	1	COPPER WASHER 13,66x19/1,5	
27	56172561	1	RETAINER	
28	31112146	1	SCREW TE M8X22 UNI 5739 8G	
29	56172769	1	COMMAND LEVER	
30	F0837534010	1	GRIP	
31	F0840544000	1	ELBOW	

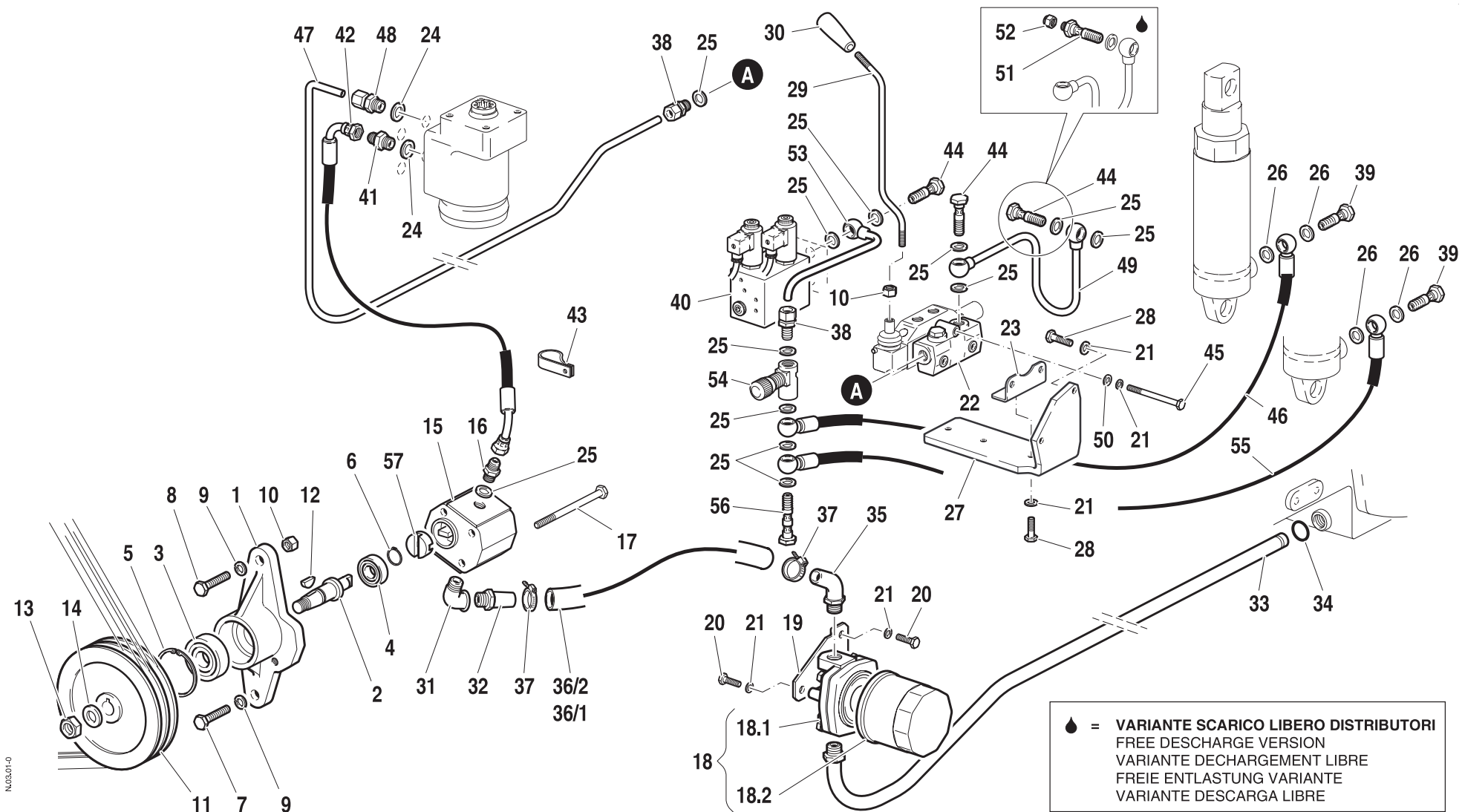
SERIAL

HYDRAULIC SYSTEM (2 LIFTING JACKS VERSION)

Version: 30-40CV

CODE REV

N.03.01_0_21943



N.03.01-0

Pos.	Code	Q.ty	Description	Notes
32	56172917	1	PIPE FITTING	
33	59073339	1	SUCTION PIPE	
34	38112507	1	O-RING 3100 (25,07X2,62)	
35	59073340	1	SUCTION PIPE	
36/1	58173543	1	FLEXIBLE HOSE	
36/2	58173053	1	FLEXIBLE HOSE	
37	F0817523010	1	CLAMP	
38	58172015	1	PIPE FITTING	
39	F0843107000	1	PIPE FITTING GAS 1/4	
40	58173143	1	UNIT	
41	F0835037000	1	NIPPLE	
42	58074161	1	FLEXIBLE HOSE	
43	F0825416000	1	CLAMP	
44	F0843109020	1	PIPE FITTING	
45	31112158	1	SCREW TE M8X70 UNI 5737 8G	
46	58073544	1	FLEXIBLE HOSE	
47	59075453	1	DISTRIBUTING PIPE	
48	58173539	1	PIPE FITTING	
49	59073160	1	EXHAUST	
50	31411084	1	WASHER 8,4x17	
51	56373163	1	PIPE UNION	
52	F0852589000	1	PLUG	
53	59074664	1	PRESSURE PIPE	
54	P24117100000	1	VALVE	
55	58072136	1	FLEXIBLE HOSE	
56	58172589	1	THREADED TERMINAL END	

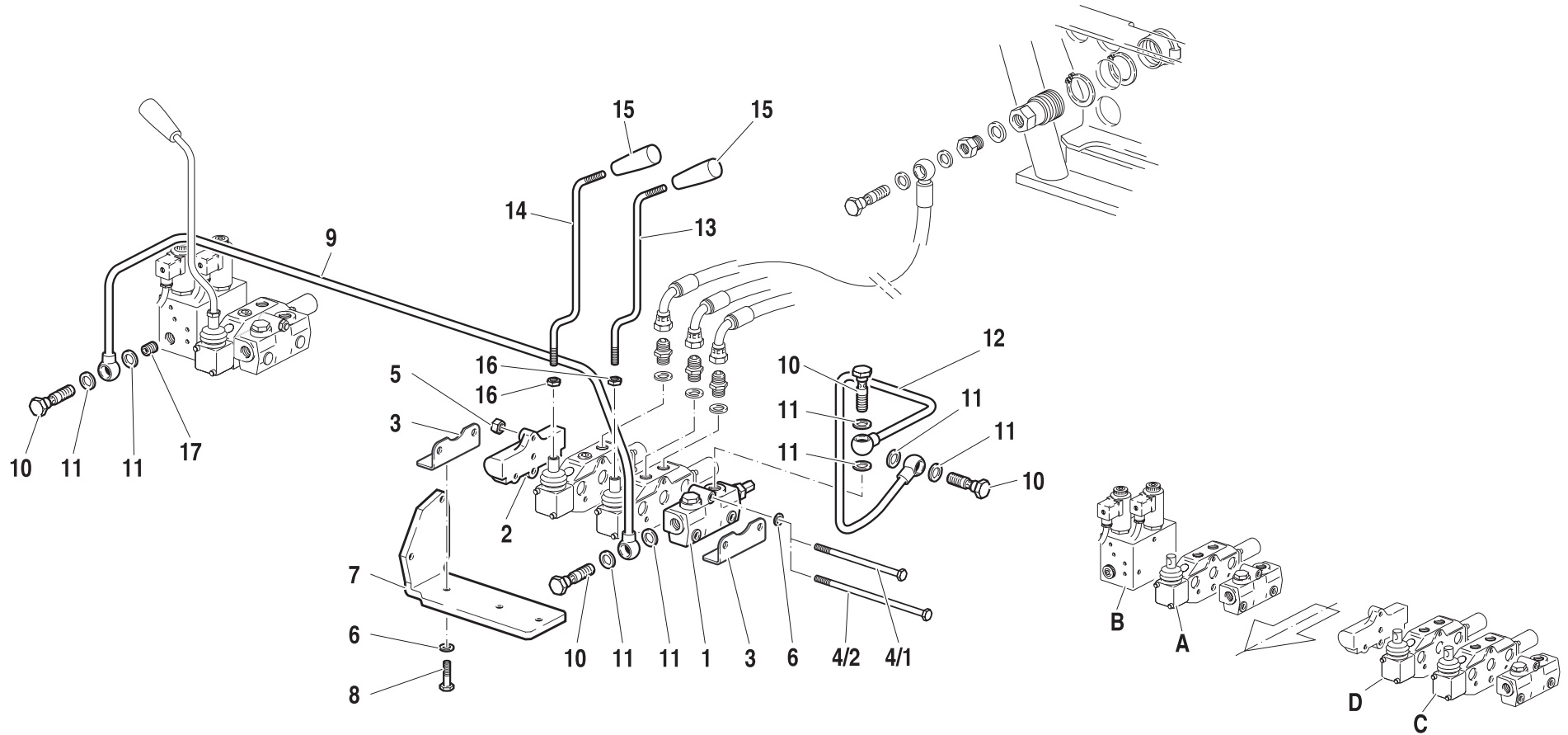
SERIAL

HYDRAULIC SYSTEM (2 LIFTING JACKS VERSION)

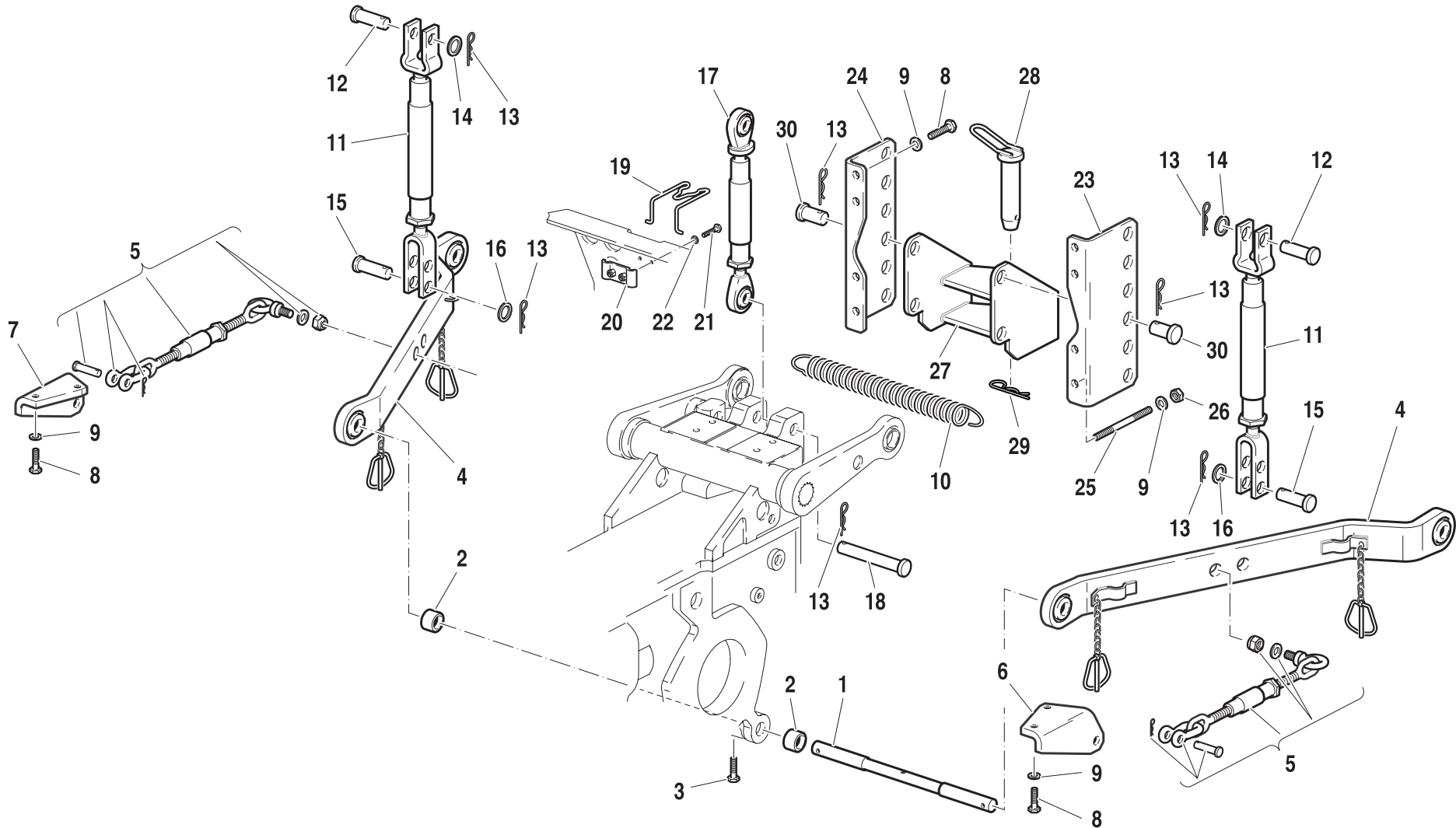
Version: 30-40CV

CODE REV

N.03.01_0_21943

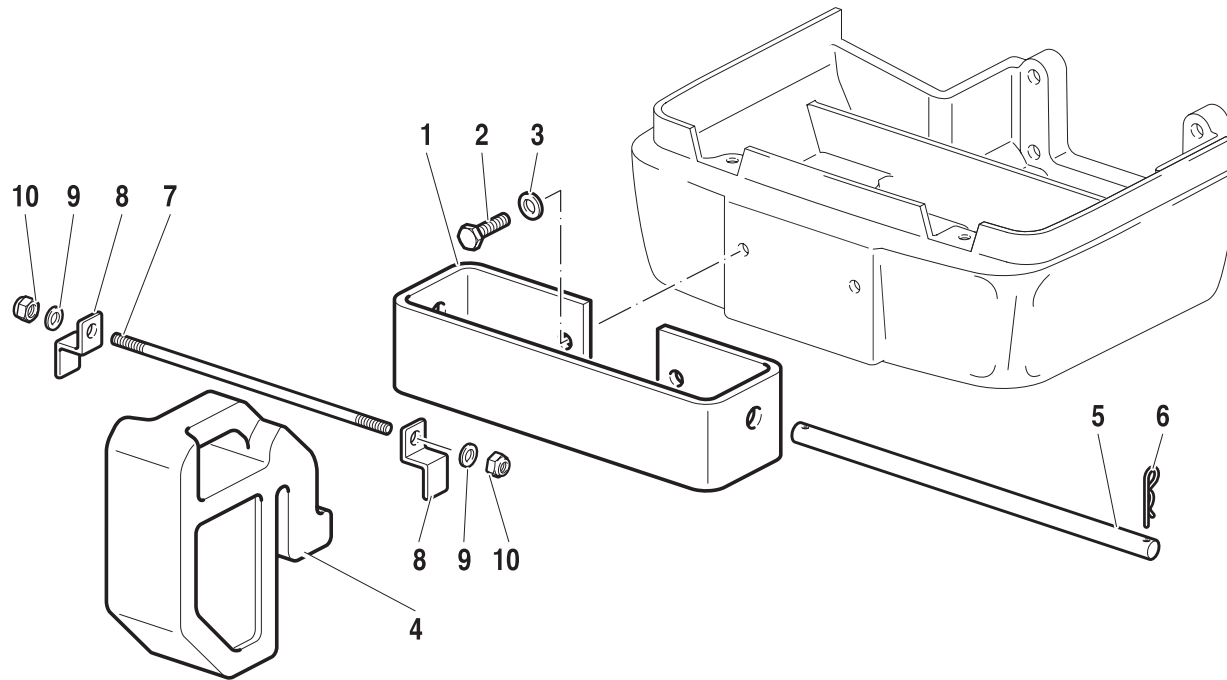


Pos.	Code	Q.ty	Description	Notes
1	58174700	1	HEAD	
2	58172489	1	COVER	
3	59072057	1	FIXING BRACKET	
4/1	58172490	1	ROD	
4/2	58172016	1	ROD	
5	31211080	1	NUT M8	
6	F0843643060	1	WASHER 8	
7	56172750	1	RETAINER	
8	31112146	1	SCREW TE M8X22 UNI 5739 8G	
9	59073021	1	PIPE	
10	F0843109020	1	PIPE FITTING	
11	F0824110000	1	COPPER WASHER 3/8 GAS	
12	59072787	1	EXHAUST	
13	56172770	1	COMMAND LEVER	
14	56172769	1	COMMAND LEVER	
15	F0837534010	1	GRIP	
16	31211100	1	NUT M10	
17	F0852578060	1	CONICAL PLUG	

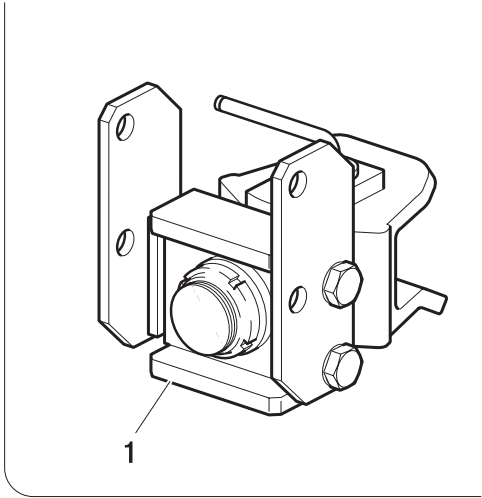
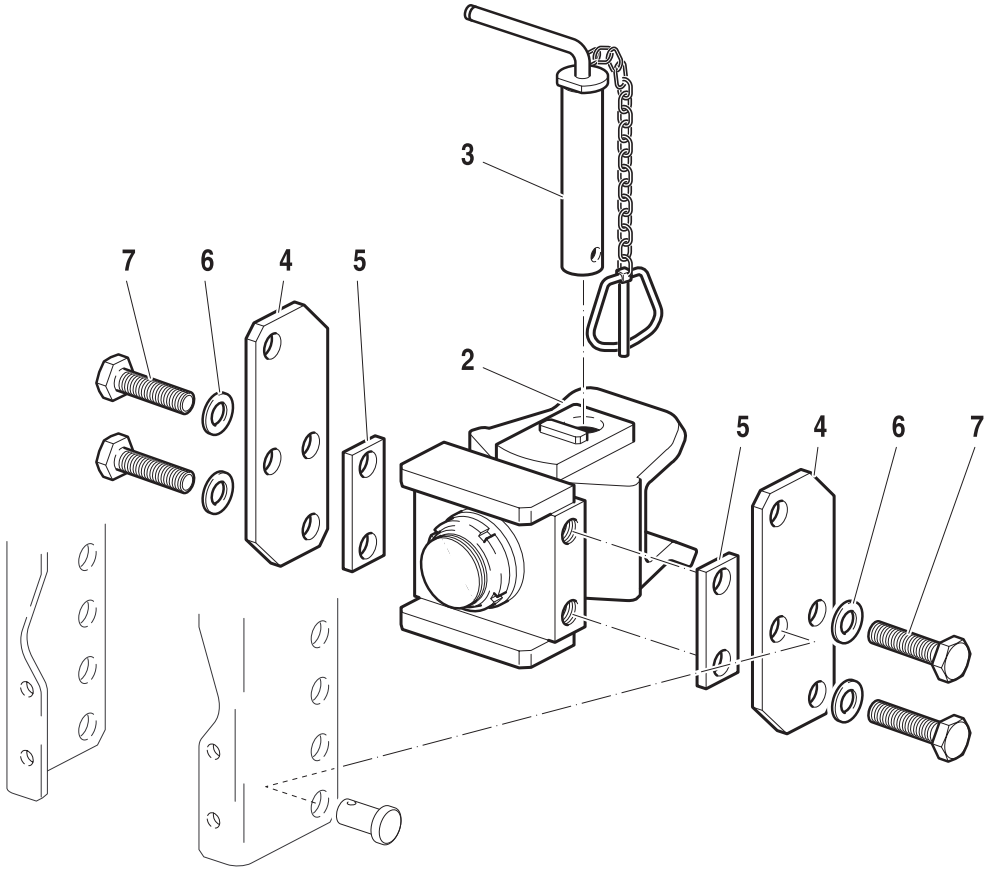


Pos.	Code	Q.ty	Description	Notes
1	56571824	1	PIN	
2	F0844283020	1	SPACER D.38x22/22	
3	31111151	1	SCREW TE M8X16 UNI 5739 8G	
4	59073045	1	BOTTOM LINK	
5	58071998	1	ROD	
6	56074233	1	SUPPORT	
7	56074234	1	SUPPORT	
8	31112272	1	SCREW TE M12X30 UNI 5739	
9	F0843843060	1	WASHER 12	
10	58072465	1	RETAINING SPRING	
11	58072626	1	ROD	
12	58072642	1	PIN	
13	F0851486000	1	SPLIT PIN	
14	31411190	1	WASHER 19x34	
15	56372086	1	PIN	
16	31411170	1	WASHER 17x30	
17	58176294	1	ROD	
18	56371210	1	CONNECTING BOLT	
19	58170449	1	RETAINING SPRING	
20	59070448	1	FIXING BRACKET	
21	31112150	1	SCREW TE M8X20 UNI 5739 8G	
22	F0843643060	1	WASHER 8	
23	56171788	1	SUPPORT	
24	56171789	1	SUPPORT	
25	F0838610000	1	STUD BOLT M12X25 UNI 5911	
26	F0814695000	1	NUT M12	
27	F0190031203	1	TOW HOOK	
28	F0808060100	1	LATCH D.28X117	
29	F0851497000	1	SPLIT PIN	
30	56372067	1	PIN	

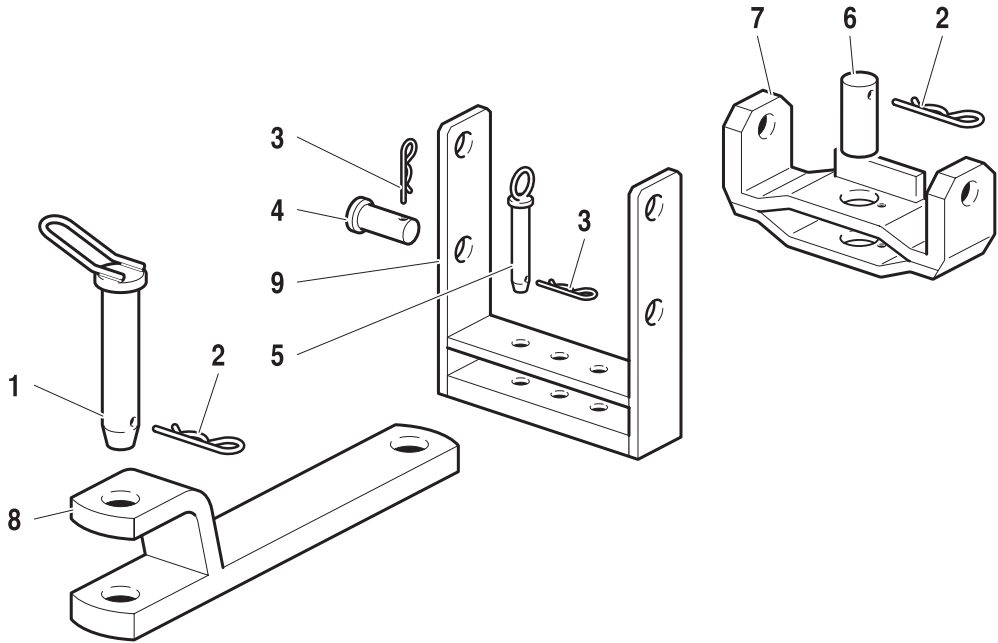
FRONT COUNTERWEIGHTS



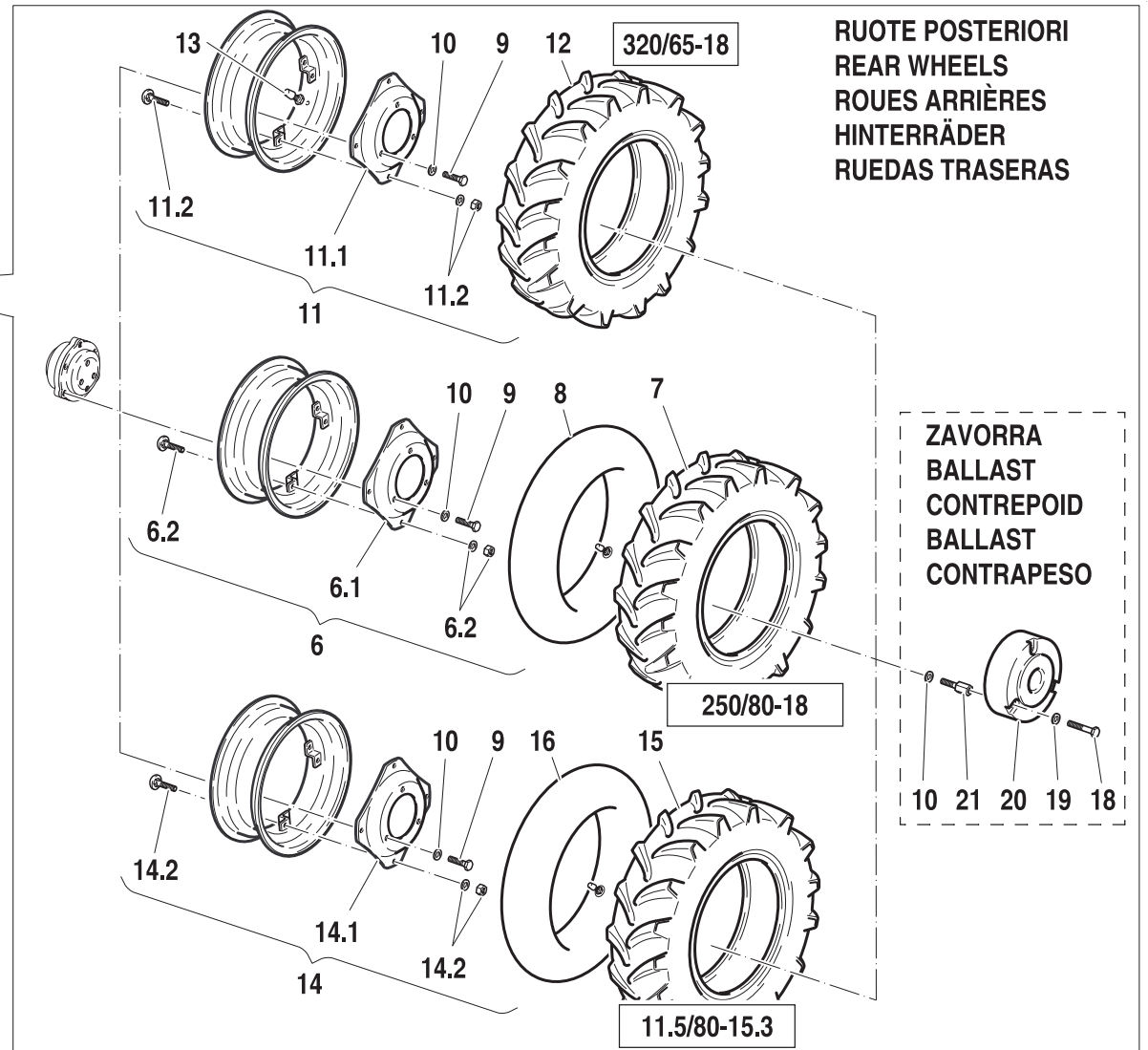
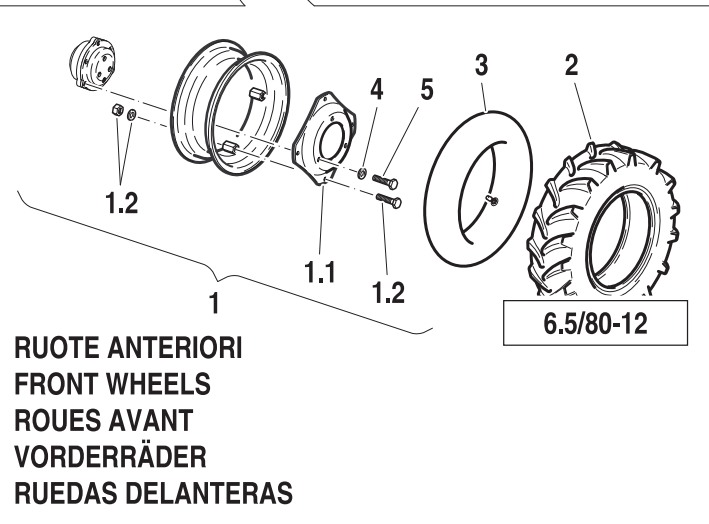
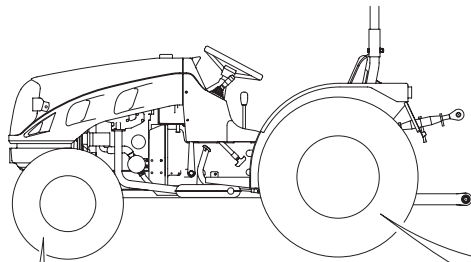
Pos.	Code	Q.ty	Description	Notes
1	56173608	1	BALLAST CARRIER	
2	31112272	1	SCREW TE M12X30 UNI 5739	
3	F0843843060	1	WASHER 12	
4	F0150051050	1	FRONT BALLAST	
5	56173609	1	ROD	
6	F0851486000	1	SPLIT PIN	
7	56173621	1	ROD	
8	F0150051145	1	SQUARE	
9	F0843807000	1	WASHER 10	
10	31241100	1	SELFLOCK NUT M10 6S	



Pos.	Code	Q.ty	Description	Notes
1	59374149	1	GANCIO TRAINO OMOLOGATO CEE *	
2	59074150	1	GANCIO DI TRAINO CEE COMPLETO	
3	59074151	1	PIN	
4	56174152	1	PIASTRA PER GANCIO CEE	
5	56174153	1	DISTANZIALE PER GANCIO CEE	
6	31411210	1	WASHER 21x37	
7	F0864441010	1	VITE M20X45 UNI 5739 CL8.8	



Pos.	Code	Q.ty	Description	Notes
1	56073155	1	PIN	
2	F0851497000	1	SPLIT PIN	
3	F0851486000	1	SPLIT PIN	
4	56372067	1	PIN	
5	56073153	1	INDEXING BOLT	
6	56373502	1	HINGE PIN	
7	59073373	1	RH HINGE	
8	59073151	1	ROD	
9	59073374	1	HOLDER	



Pos.	Code	Q.ty	Description	Notes
1	F0849037000	1	RIM 4.50EX12 YELLOW	
1.1	F0849036020	1	FLANGE	
1.2	59900371	1	KIT	
2	F0848530050	1	TYRE 6.5/80-12 4PR	
3	39416018	1	INNER TUBE	
4	31411130	1	WASHER 13x24	
5	31112880	1	SCREW TE M12X1,25X20 UNI5740	
6	59271732	1	RIM	
6.1	58171689	1	FLANGE	
6.2	59900361	1	KIT	
7	F0848655000	1	TYRE 250/80-18 8PR	
8	F0848855000	1	INNER TUBE	
9	F0864410500	1	SCREW M18X1,5/45 U/5740	
10	F0844150000	1	WASHER D.30x18,5/5	
11	59271729	1	RIM	
11.1	58171689	1	FLANGE	
11.2	59900361	1	KIT	
12	F0848655100	1	TYRE 280/70R18	
13	F0150010905	1	VALVE	
14	59271888	1	RIM	
14.1	58171890	1	RIM	
14.2	59900361	1	KIT	
15	F0848672100	1	TYRE 11.5/80-15.3 8PR	
16	F0848844000	1	INNER TUBE	
17	F0848679600	1	TYRE 320/65R18	
18	F0864314000	1	SCREW M14X65 UNI 5737	
19	F0843993060	1	WASHER 28x15/4	
20	51172563	1	BALLAST	
21	56370539	1	SPECIAL SCREW	

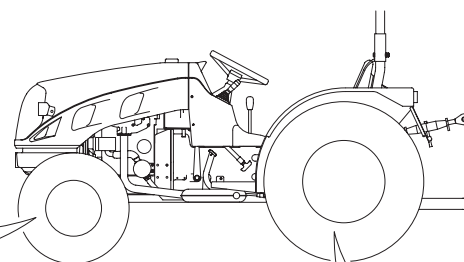
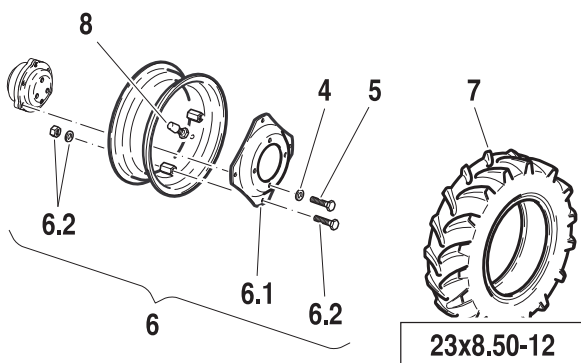
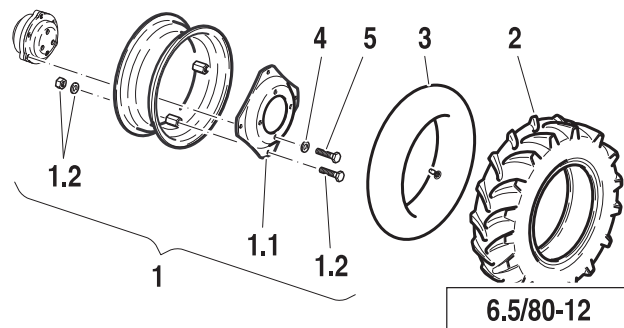
SERIAL

WHEELS
Version: 30-40CV

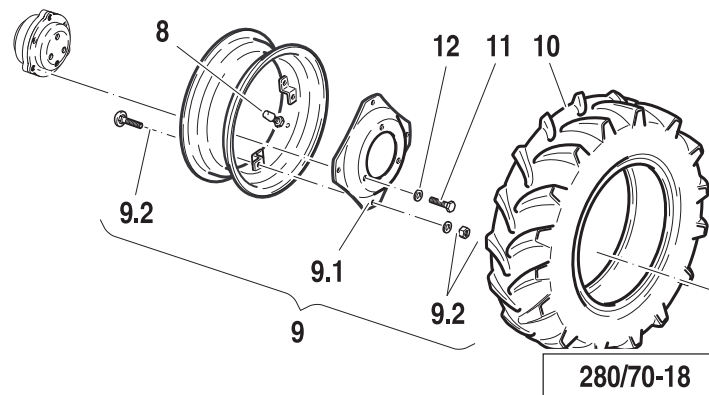
CODE REV

W.01.01_0_22083

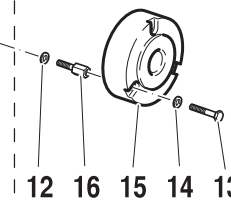
**RUOTE ANTERIORI
FRONT WHEELS
ROUES AVANT
VORDERRÄDER
RUEDAS DELANTERAS**



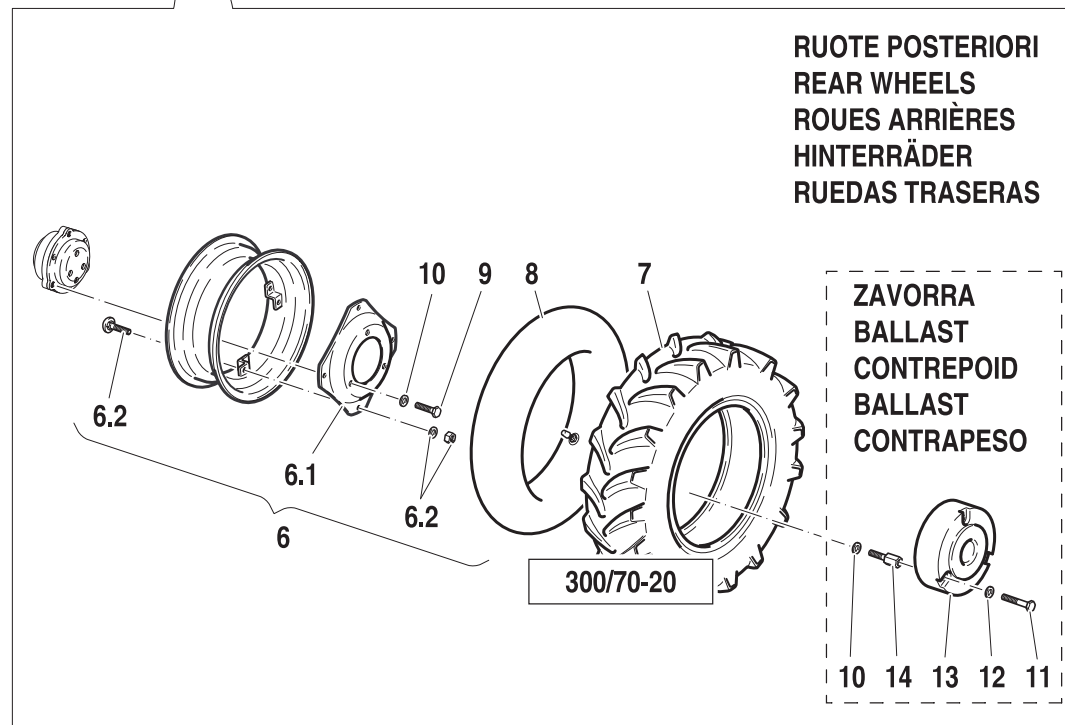
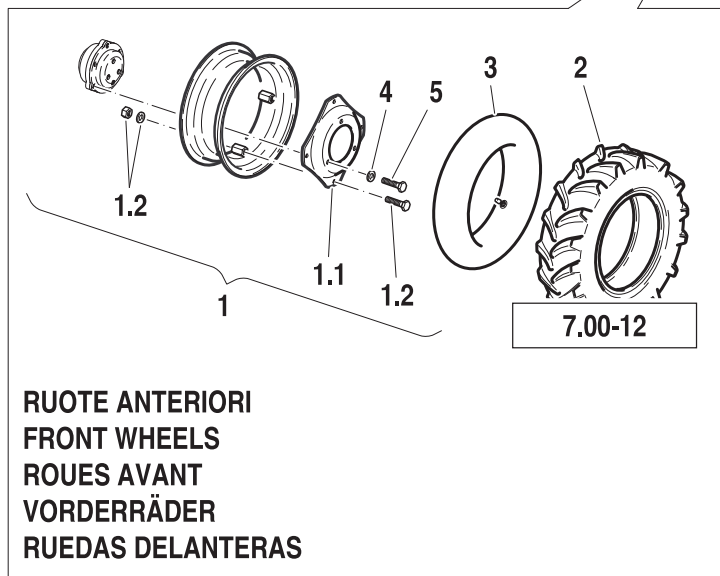
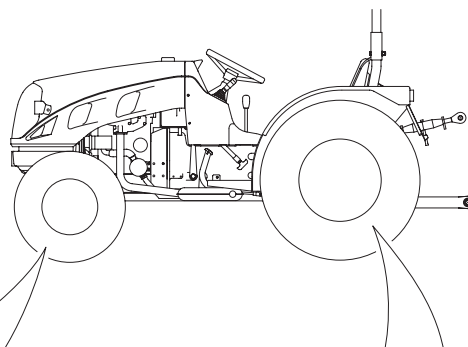
**RUOTE POSTERIORI
REAR WHEELS
ROUES ARRIÈRES
HINTERRÄDER
RUEDAS TRASERAS**



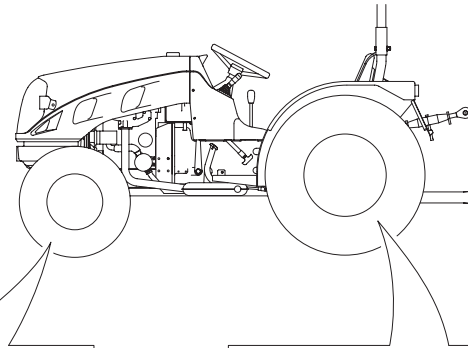
**ZAVORRA
BALLAST
CONTREPOID
BALLAST
CONTRAPESO**



Pos.	Code	Q.ty	Description	Notes
1	F0849037000	1	RIM 4.50EX12 YELLOW	
1.1	F0849036020	1	FLANGE	
1.2	59900371	1	KIT	
2	F0848530050	1	TYRE 6.5/80-12 4PR	
3	39416018	1	INNER TUBE	
4	31411130	1	WASHER 13x24	
5	31112880	1	SCREW TE M12X1,25X20 UNI5740	
6	59275015	1	RIM	
6.1	58175070	1	DISCO 7KX12 GIALLO RAL 1003	
6.2	59900372	1	KIT	
7	39118525	1	TYRE 23X8.50-12 4PR	
8	F0150010905	1	VALVE	
9	59271729	1	RIM	
9.1	58171689	1	FLANGE	
9.2	59900361	1	KIT	
10	F0848655100	1	TYRE 280/70R18	
11	F0864410500	1	SCREW M18X1,5/45 U/5740	
12	F0844150000	1	WASHER D.30x18,5/5	
13	F0864314000	1	SCREW M14X65 UNI 5737	
14	F0843993060	1	WASHER 28x15/4	
15	51172563	1	BALLAST	
16	56370539	1	SPECIAL SCREW	



Pos.	Code	Q.ty	Description	Notes
1	F0849037000	1	RIM 4.50EX12 YELLOW	
1.1	F0849036020	1	FLANGE	
1.2	59900371	1	KIT	
2	F0848625000	1	TYRE 7.00-12 6PR	
3	F0848880000	1	INNER TUBE	
4	31411130	1	WASHER 13x24	
5	31112880	1	SCREW TE M12X1,25X20 UNI5740	
6	59275732	1	RIM	
6.1	58175731	1	DISC	
6.2	59900539	1	SCREW SET	
7	F0848676050	1	TYRE 300/70 R20	
8	F0848920000	1	INNER TUBE	
9	F0864410500	1	SCREW M18X1,5/45 U/5740	
10	F0844150000	1	WASHER D.30x18,5/5	
11	F0864314000	1	SCREW M14X65 UNI 5737	
12	F0843993060	1	WASHER 28x15/4	
13	51172563	1	BALLAST	
14	56370539	1	SPECIAL SCREW	



25x8.50-14

**RUOTE ANTERIORI
FRONT WHEELS
ROUES AVANT
VORDERRÄDER
RUEDAS DELANTERAS**

36x13.50-15

**RUOTE POSTERIORI
REAR WHEELS
ROUES ARRIÈRES
HINTERRÄDER
RUEDAS TRASERAS**

**ZAVORRA
BALLAST
CONTREPOID
BALLAST
CONTRAPESO**

Pos.	Code	Q.ty	Description	Notes
1	58174367	1	RIM	
2	F0848681800	1	TYRE 25X8.50-14/6	
3	F0848941000	1	VALVE	
4	31411130	1	WASHER 13x24	
5	31112880	1	SCREW TE M12X1,25X20 UNI5740	
6	58175910	1	RIM	
7	F0848681700	1	TYRE 36X13.50-15/4	
8	F0150010905	1	VALVE	
9	F0864410500	1	SCREW M18X1,5/45 U/5740	
10	F0844150000	1	WASHER D.30x18,5/5	
11	F0864314000	1	SCREW M14X65 UNI 5737	
12	F0843993060	1	WASHER 28x15/4	
13	51172563	1	BALLAST	
14	56370539	1	SPECIAL SCREW	

SERIAL

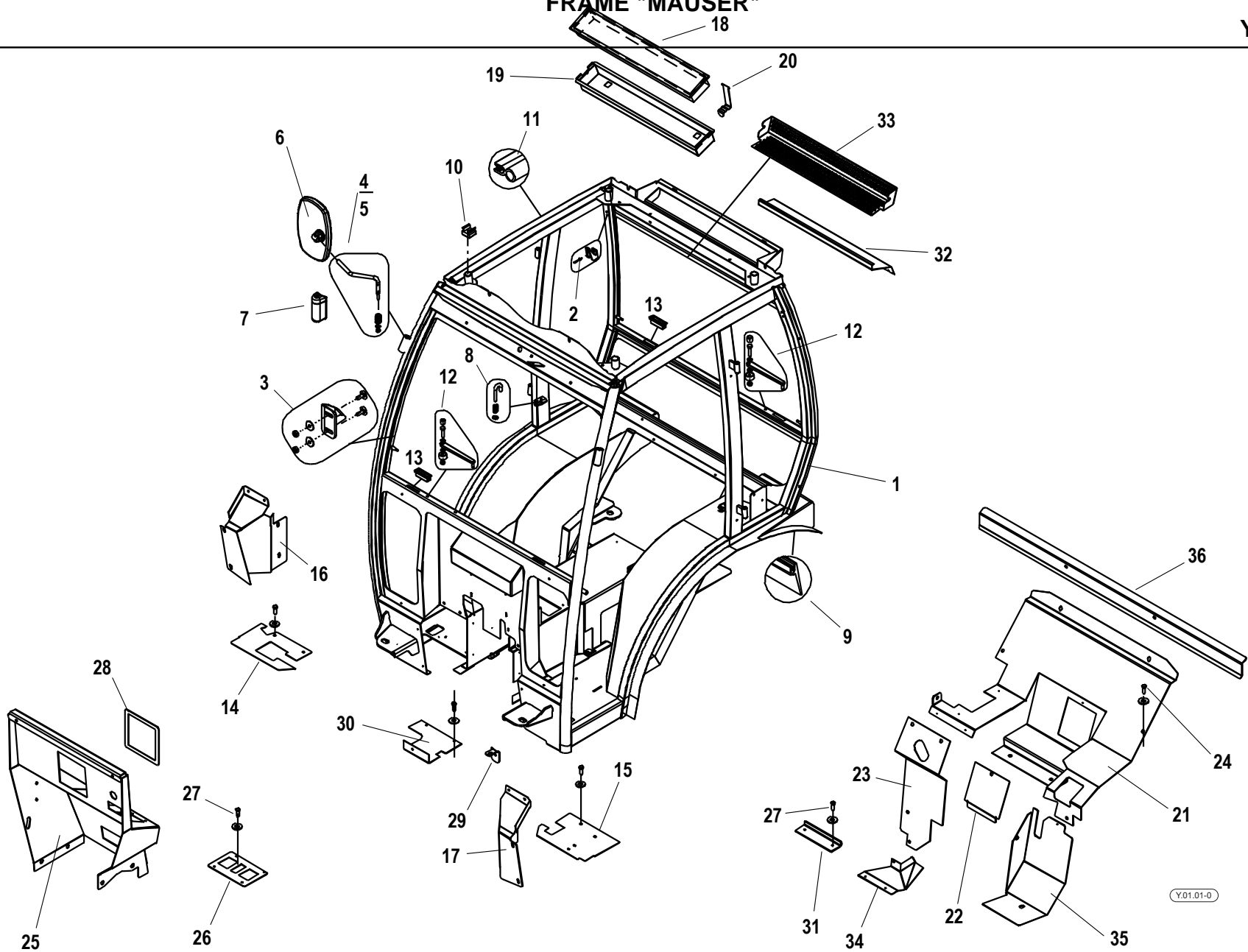
WHEELS (36x13.50-15 + 25x8.50-14)

Version: 30-40CV

CODE REV

W.04.01_0_22155

FRAME "MAUSER"



Y01.01-0

Pos.	Code	Q.ty	Description	Notes
1	59907000	1	CHASSIS FRAME	
2	59907001	1	CLEVIS	
3	59907002	1	DOWEL PIN	
4	59907003	1	REAR-VIEW MIRROR SUPPORT	
5	59907004	1	REAR-VIEW MIRROR SUPPORT	
6	59907005	2	REAR VIEW MIRROR	
7	59907006	2	COVER	
8	59907007	1	FORK	
9	59907008	1	PROFILE	
10	59907009	2	NUT	
11	59907010	1	PROFILE	
12	59907011	1	SUPPORT	
13	59907012	4	PEZZO DI RIPORTO (WM798000235)	
14	59907013	1	PLATE	
15	59907014	1	PLATE	
16	59907015	1	PLATE	
17	59907016	1	PLATE	
18	59907017	1	FILTER	
18.1	59907018	1	CARBON FILTER	
19	59907019	1	BRACKET	
20	59907020	2	SPRING	
21	59907021	1	PLATE	
22	59907022	1	COVER	
23	59907023	1	PLATE	
24	59907024	10	SCREW	
25	59907025	1	DASHBOARD	
26	59907026	1	CHASSIS FRAME	
27	59907027	11	SCREW	
28	59907028	1	CHASSIS FRAME	
29	59907029	1	BRACKET	
30	59907030	1	COVER	
31	59907031	1	BRACKET	
32	59907032	1	COVER	
33	59907033	1	COVER	

SERIAL

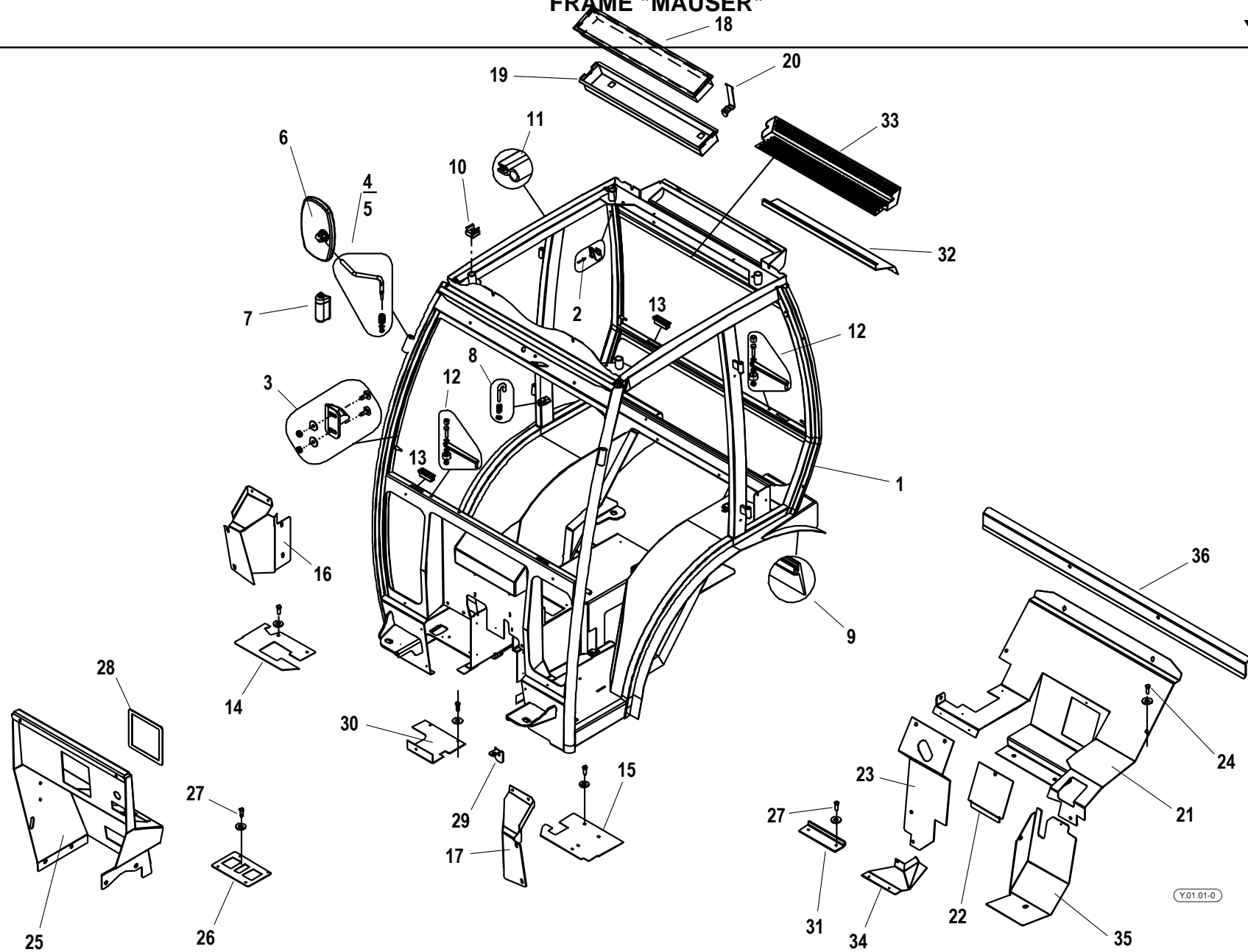
FRAME "MAUSER"

Version: 30-40CV

CODE REV

Y.01.01_0_46844

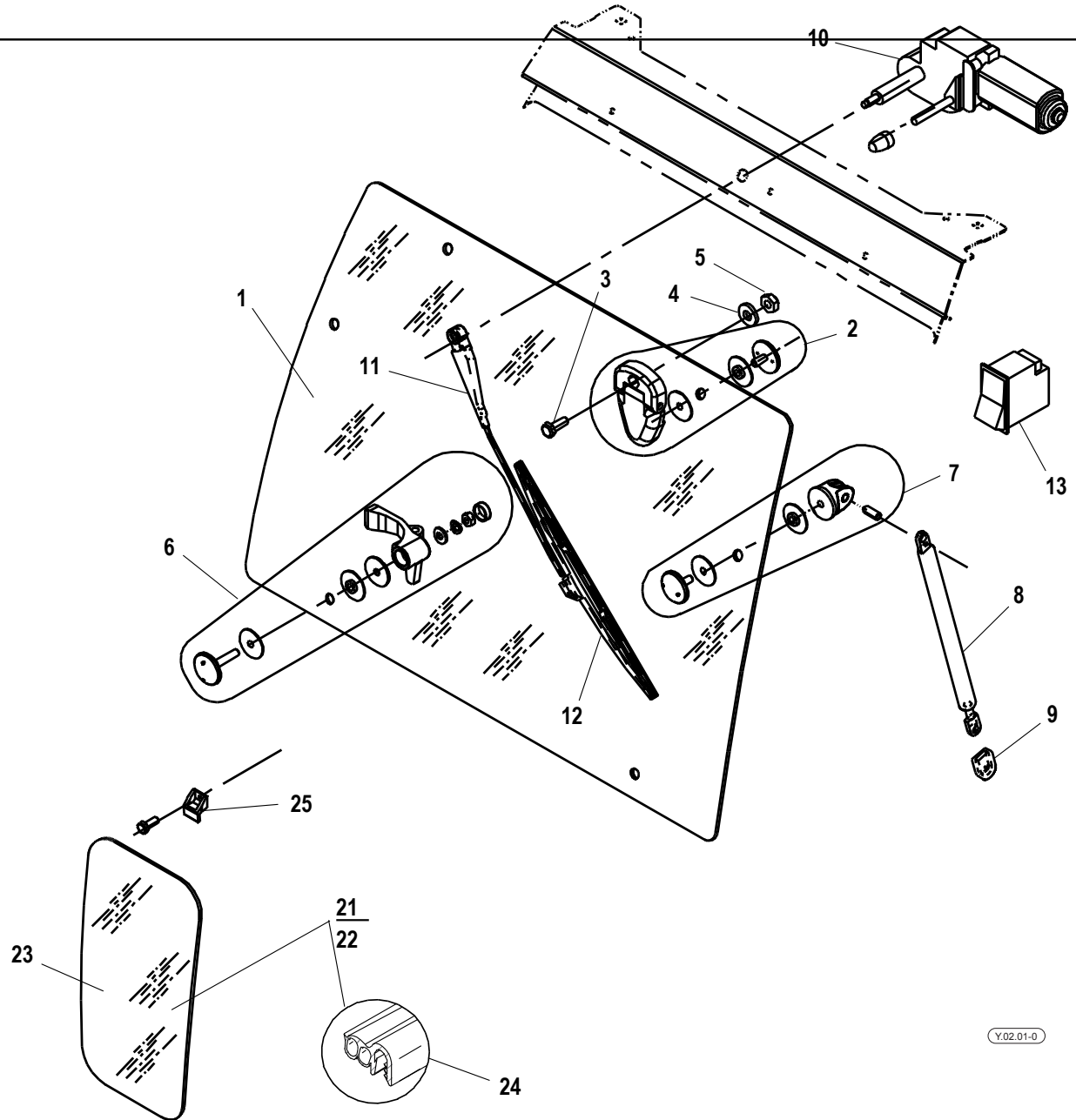
FRAME "MAUSER"



Y01.01-0

Pos.	Code	Q.ty	Description	Notes
34	59907034	1	PLATE	
35	59907035	1	PLATE	
36	59907036	1	LISTA (WM220134120)	

FRONT GLASS / WINDSCREENWASHER "MAUSER"



Pos.	Code	Q.ty	Description	Notes
1	59907037	1	GLASS	
1.1	59907038	1	DECAL	
2	59907039	2	RH HINGE	
3	59907040	2	SCREW	
4	59907041	2	WASHER	
5	59907042	2	NUT	
6	59907043	1	CLIP	
7	59907044	1	SUPPORT	
8	59907045	2	SHOCKS ABSORBER	
9	59907046	2	SUPPORT	
10	59907047	1	WIPER MOTOR	
11	59907048	1	WINDSCREEN WIPER	
12	59907049	1	WINDSCREEN WIPER	
12.1	59907050	1	CABLE	
13	59907051	2	SWITCH	
13.1	59907052	2	DECAL	
21	59907053	1	GLASS AND GASKET	
22	59907054	1	GLASS AND GASKET	
23	59907055	2	GLASS	
24	59907056	1	PROFILE	
25	59907057	4	FIXTURE	

SERIAL

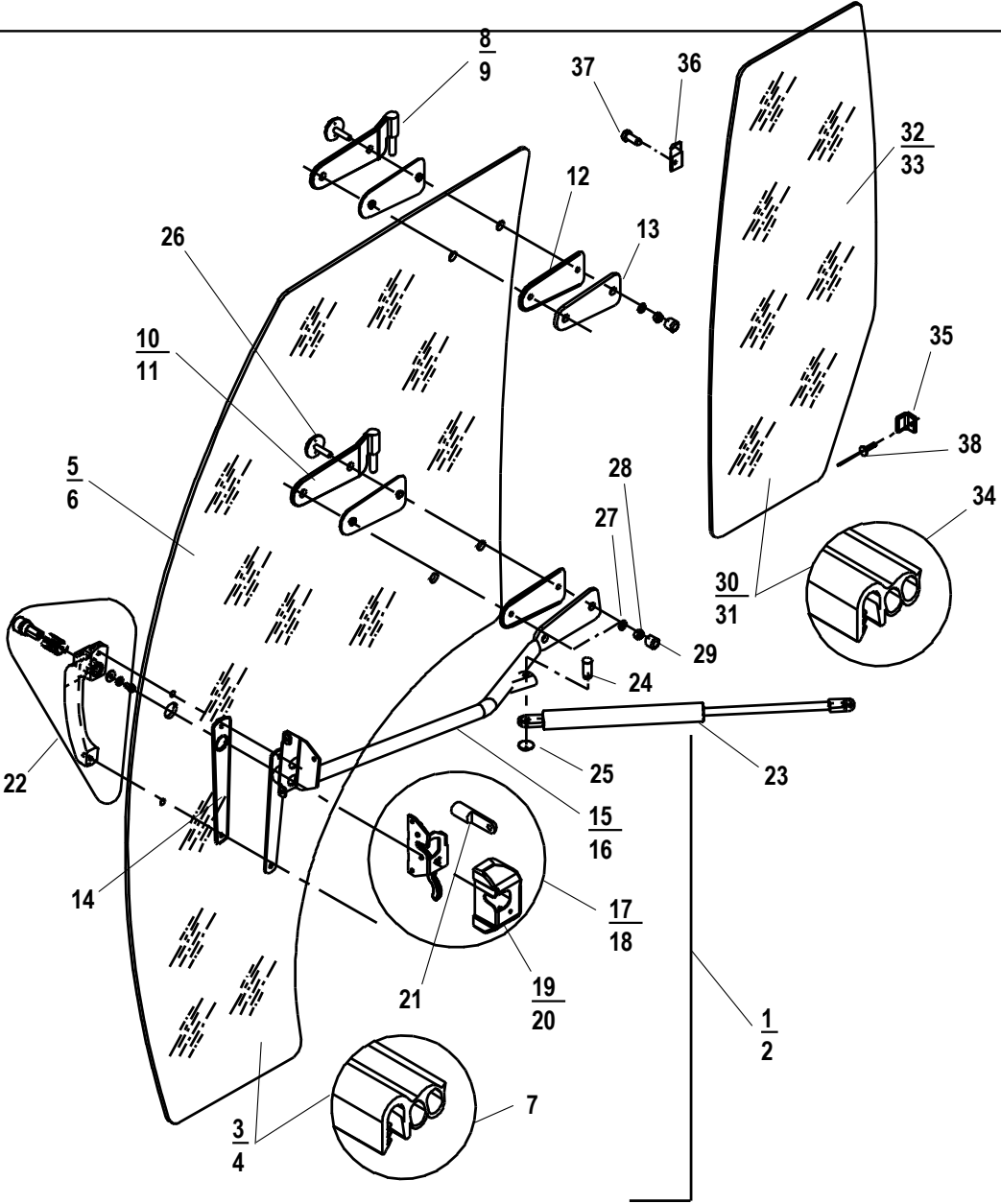
FRONT GLASS / WINDSCREENWASHER "MAUSER"

Version: 30-40CV

CODE REV

Y.02.01_0_46882

DOOR / SIDE WINDOW "MAUSER"



Pos.	Code	Q.ty	Description	Notes
1	59907058	1	CAB DOOR RIGHT	
2	59907059	1	CAB DOOR - LEFT	
3	59907060	1	GLASS AND GASKET	
4	59907061	1	GLASS AND GASKET	
5	59907062	1	RH DOORGLASS	
6	59907063	1	RH DOORGLASS	
7	59907056	1	PROFILE	
8	59907064	1	RH HINGE	
9	59907065	1	LH HINGE	
10	59907066	1	RH HINGE	
11	59907067	1	LH HINGE	
12	59907068	8	RUBBER	
13	59907069	2	PLATE	
14	59907070	2	RUBBER	
15	59907071	1	BRACKET	
16	59907072	1	BRACKET	
17	59907073	1	LOCK	
18	59907074	1	LOCK	
19	59907075	1	CAP	
20	59907076	1	CAP	
21	59907077	2	HANDLE	
22	59907078	2	DOOR HANDLE	
23	59907079	2	SHOCKS ABSORBER	
24	59907080	2	PIN	
25	59907081	2	CAP	
26	59907082	8	SCREW	
27	59907041	8	WASHER	
28	59907042	8	NUT	
29	59907083	8	PLUG	
30	59907084	1	GLASS AND GASKET	
31	59907085	1	GLASS AND GASKET	
32	59907086	1	GLASS	
33	59907087	1	GLASS	
34	59907056	1	PROFILE	

SERIAL

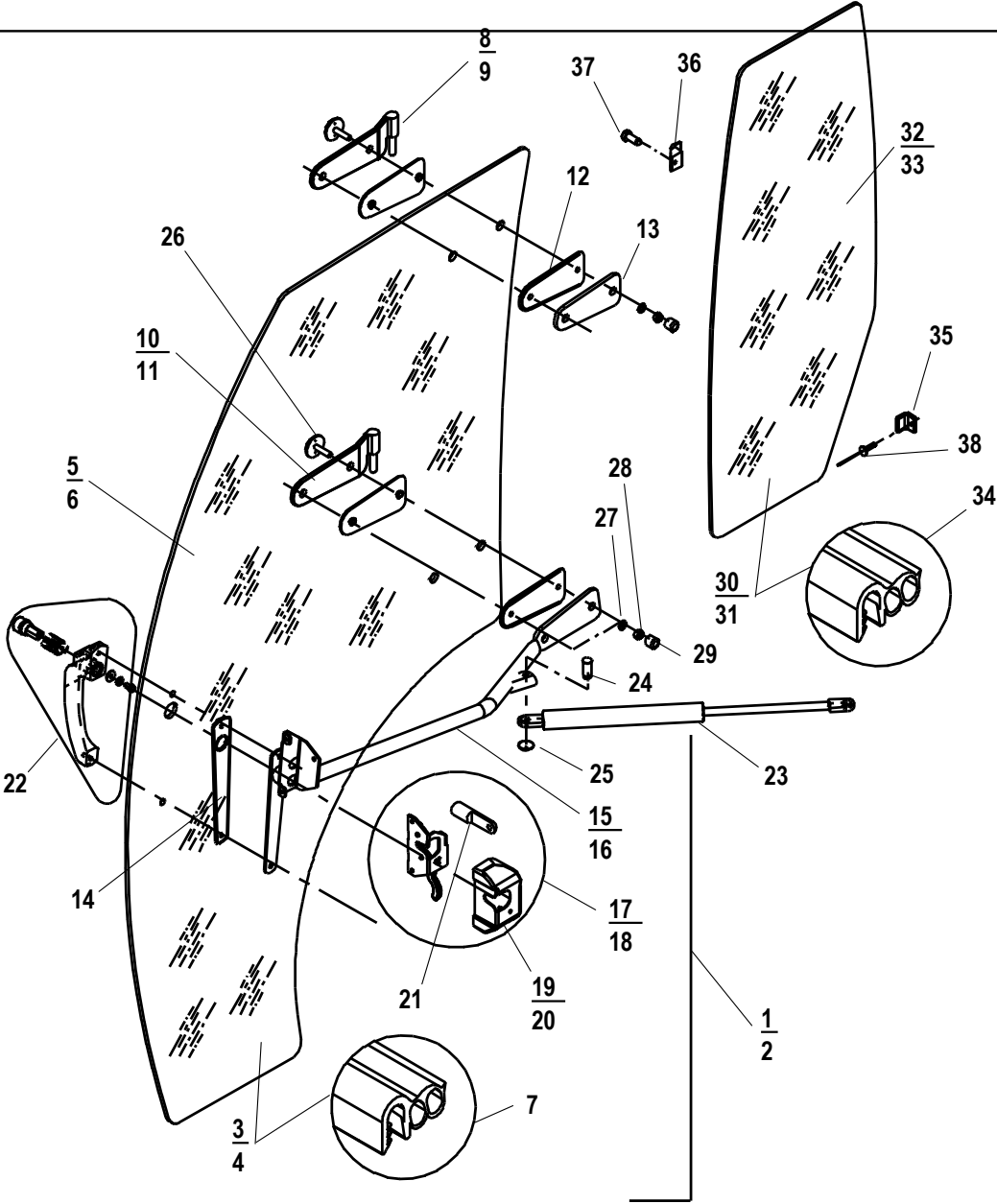
DOOR / SIDE WINDOW "MAUSER"

Version: 30-40CV

CODE REV

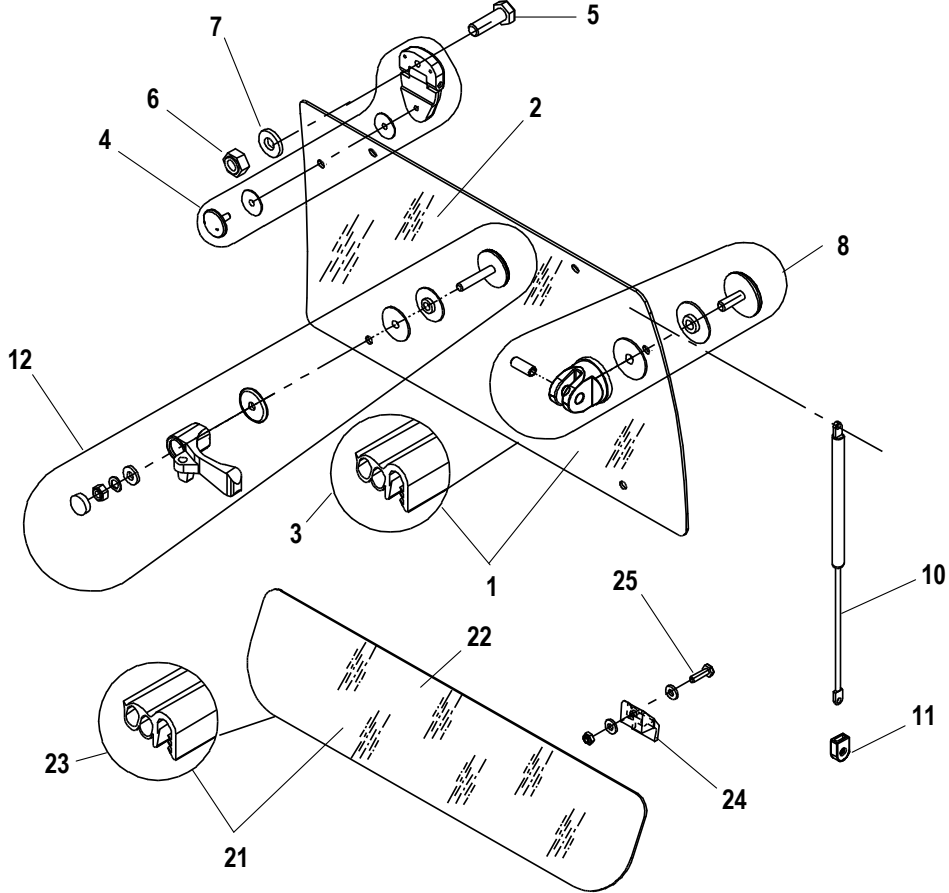
Y.03.01_0_46904

DOOR / SIDE WINDOW "MAUSER"



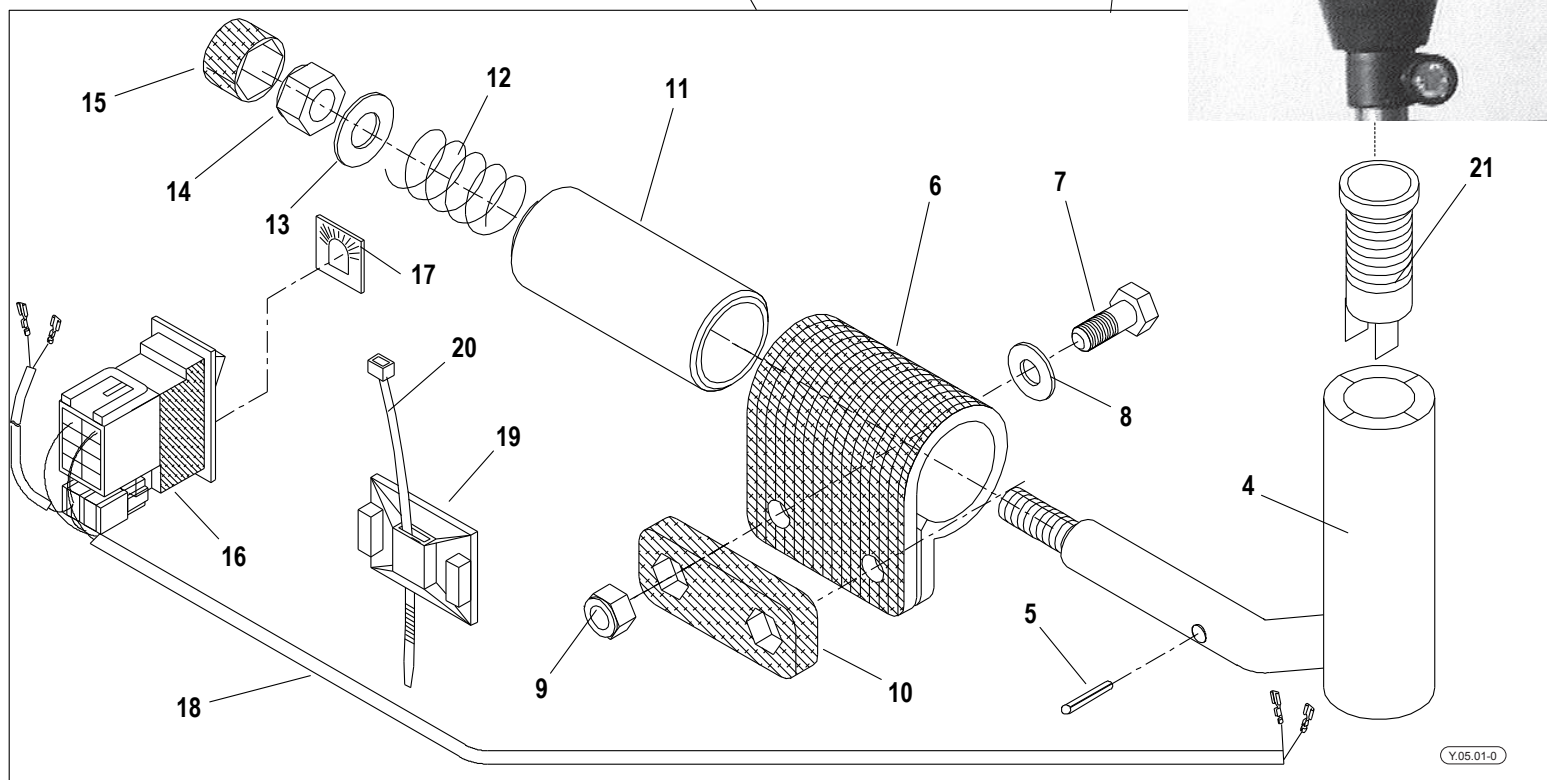
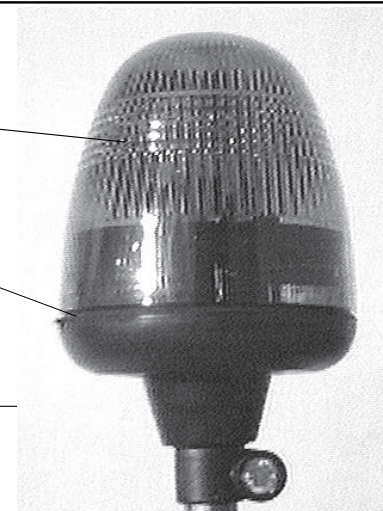
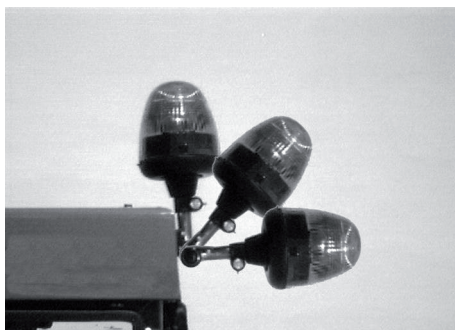
Pos.	Code	Q.ty	Description	Notes
35	59907088	4	DISPOS.CRISTALLO (WM798014540)	
36	59907057	4	FIXTURE	
37	59907089	4	SCREW	
38	59907090	4	RIVET	

REAR GLASS "MAUSER"



Pos.	Code	Q.ty	Description	Notes
1	59907091	1	GLASS AND GASKET	
2	59907092	1	GLASS	
3	59907056	1	PROFILE	
4	59907039	2	RH HINGE	
5	59907040	2	SCREW	
6	59907042	2	NUT	
7	59907041	2	WASHER	
8	59907044	1	SUPPORT	
9	59907093	2	SCREW-IN BUSH	
10	59907045	2	SHOCKS ABSORBER	
11	59907046	2	SUPPORT	
12	59907043	1	CLIP	
21	59907094	1	GLASS AND GASKET	
22	59907095	1	GLASS	
23	59907056	1	PROFILE	
24	59907057	4	FIXTURE	
25	59907024	4	SCREW	

ROTATING LIGHT "MAUSER"



Pos.	Code	Q.ty	Description	Notes
1	59907096	1	WARNING FACILITY	
2	59907097	1	BRACKET	
3	59907098	1	WARNING FACILITY	
4	59907099	1	LEVER ARM	
5	59907100	1	PIN	
6	59907101	1	SUPPORT	
7	59907102	2	SCREW	
8	59907103	2	WASHER	
9	59907104	2	NUT	
10	59907105	1	PLATE	
11	59907106	1	SLEEVE	
12	59907107	1	SPRING	
13	59907041	1	WASHER	
14	59907042	1	NUT	
15	59907083	1	PLUG	
16	59907108	1	SWITCH	
17	59907109	1	DECAL	
18	59907110	1	CABLE	
19	59907111	3	BEARING ASSEMBLY	
20	59907112	3	COLLAR	
21	59907113	1	SOCKET	
21.1	59907114	1	BRACKET	

SERIAL

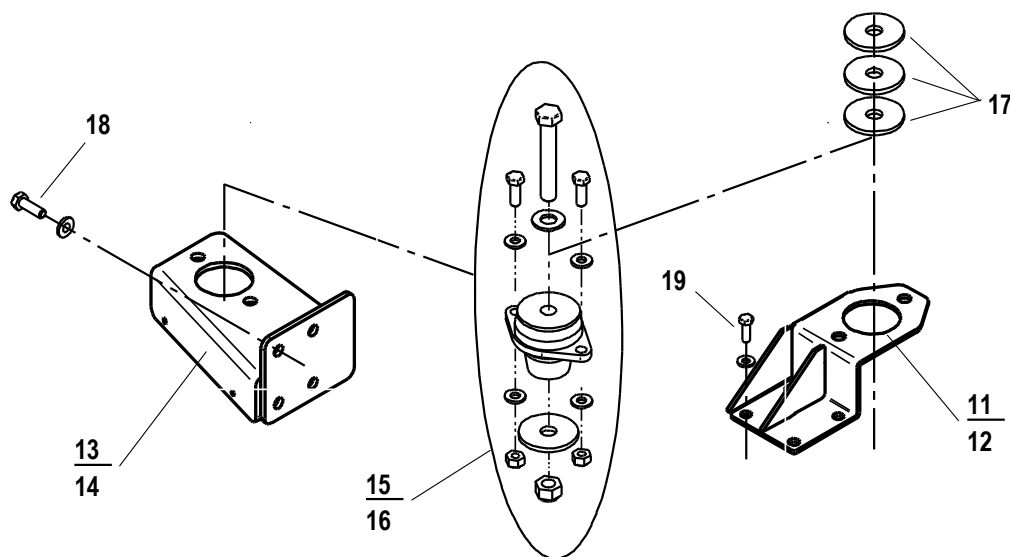
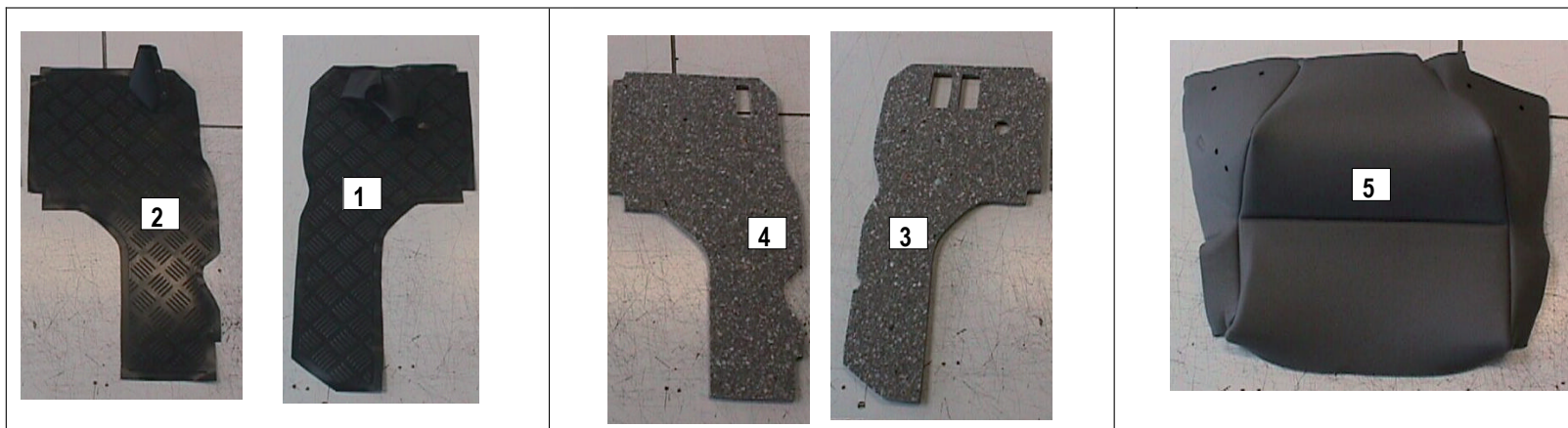
ROTATING LIGHT "MAUSER"

Version: 30-40CV

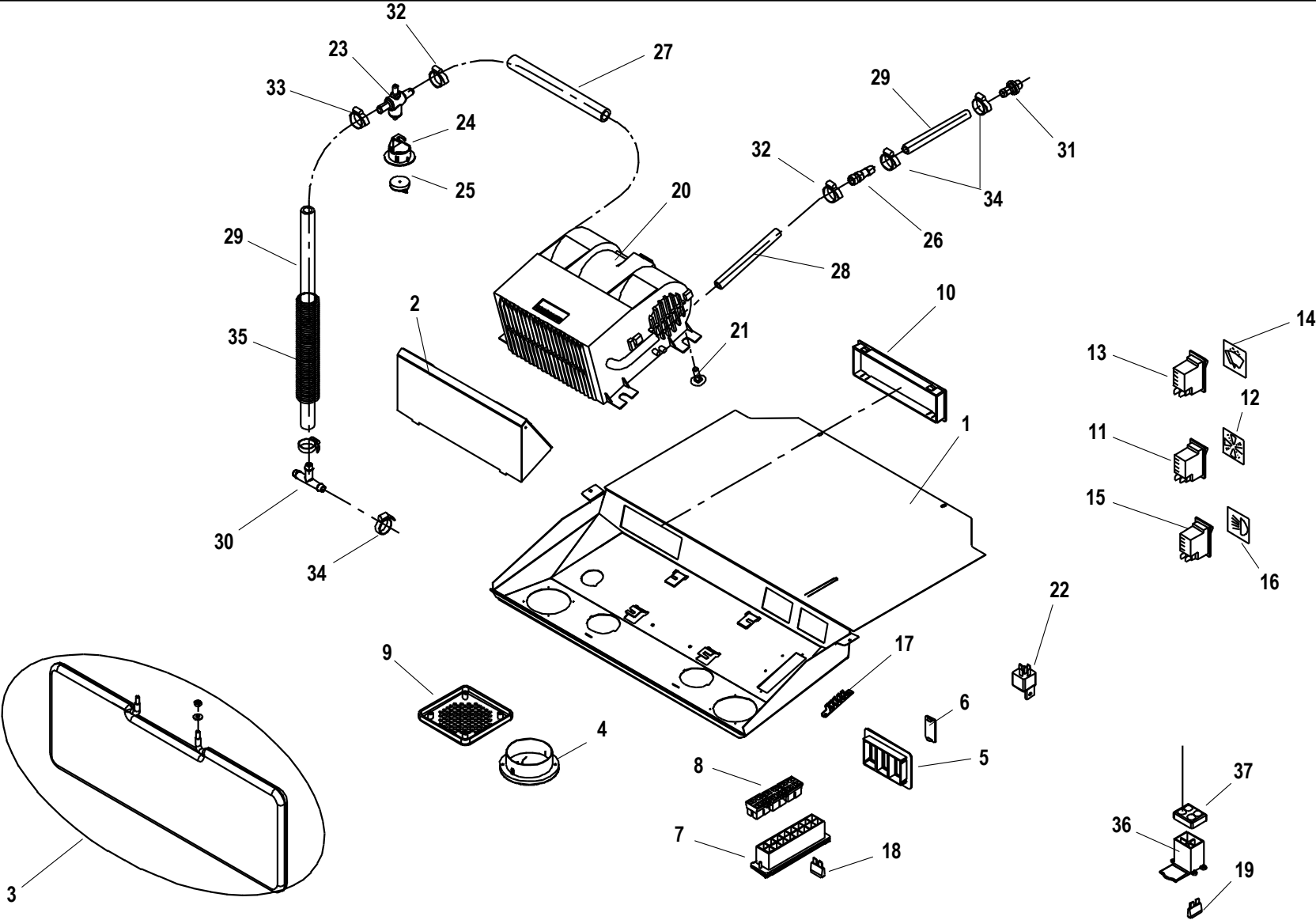
CODE REV

Y.05.01_0_46961

COVERING "MAUSER"



Pos.	Code	Q.ty	Description	Notes
1	59907115	1	SHOE	
2	59907116	1	SHOE	
3	59907117	1	STRIPE	
4	59907118	1	STRIPE	
5	59907119	1	FILLER	
11	59907133	1	SUPPORT	
12	59907134	1	SUPPORT	
13	59907135	1	SUPPORT	
14	59907136	1	SUPPORT	
15	59907137	1	SILENT-BLOCK	
16	59907138	1	SILENT-BLOCK	
17	59907139	10	WASHER	
18	59907140	8	SCREW	
19	59907141	8	SCREW	



Pos.	Code	Q.ty	Description	Notes
1	59907142	1	INSERT	
1.1	59907143	1	FILLER	
2	59907144	1	TUBE	
3	59907145	1	ROLL-UP SUN-SHADE	
4	59907146	2	BLOWER	
5	59907147	2	BRACKET	
6	59907148	3	PLUG	
7	59907149	1	FUSE-HOLDER	
8	59907150	1	PIN	
9	59907151	2	COVER	
10	59907152	1	PLUG	
11	59907153	1	SWITCH	
12	59907154	1	DECAL	
13	59907051	1	SWITCH	
14	59907052	1	DECAL	
15	59907108	1	SWITCH	
16	59907155	1	DECAL	
17	59907156	1	ROTAIA (WM782540010)	
18/1	59907157	2	FUSE/LOCK	
18/2	59907158	1	FUSE/LOCK	
18/3	59907159	1	FUSE/LOCK	
19	59907160	1	FUSE/LOCK	
20	59907161	1	HEATER	
21	59907162	4	SCREW	
22	59907163	1	RELAY	
23	59907164	1	VALVE	
24	59907165	1	SUPPORT	
25	59907166	1	HANDLE	
26	59907167	1	REDUCTION	
27	59907168	1	FLEXIBLE HOSE	
28	59907168	1	FLEXIBLE HOSE	
29	59907169	1	FLEXIBLE HOSE	
30	59907170	1	CONNECTION	
31	59907171	1	PIPE FITTING	

SERIAL

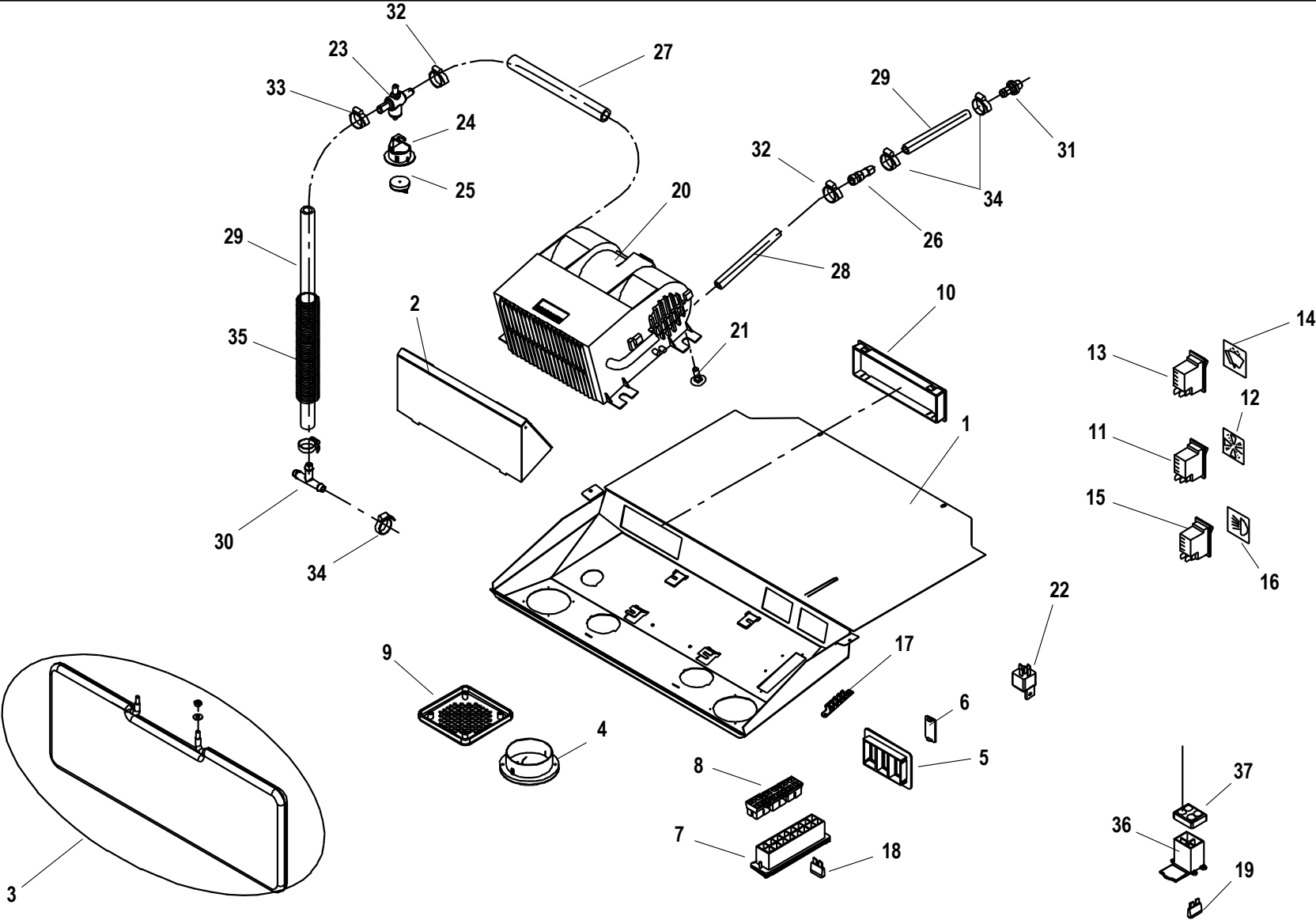
ROOF INSERT "MAUSER"

Version: 30-40CV

CODE REV

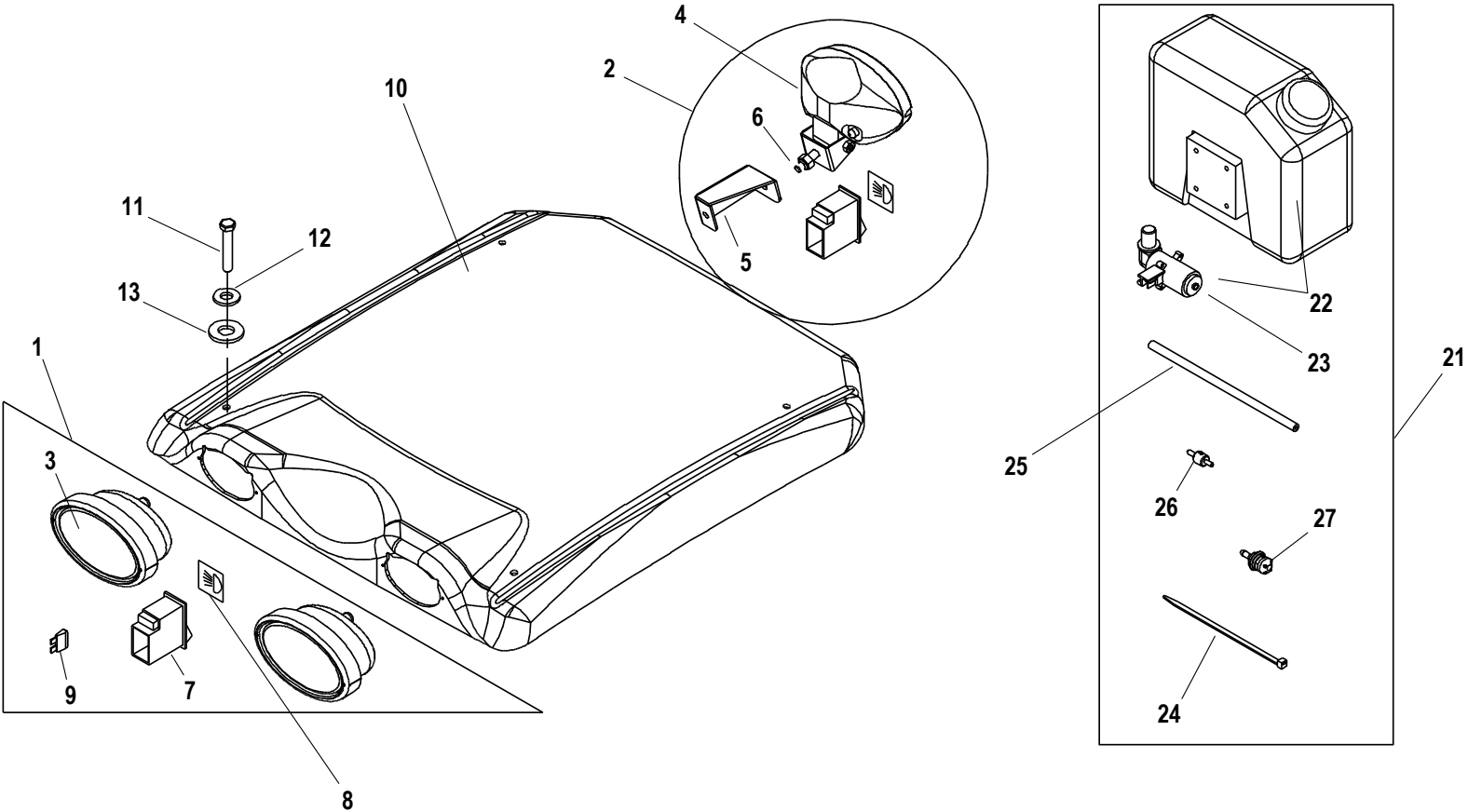
Y.07.01_0_46999

ROOF INSERT "MAUSER"



Pos.	Code	Q.ty	Description	Notes
32	59907172	1	CLAMP	
33	59907173	1	CLAMP	
34	59907174	1	CLAMP	
35	59907175	1	PIPE	
36	59907176	1	FUSE-HOLDER	
37	59907177	1	PLUG	
37.1	59907050	1	CABLE	
37.2	59907178	1	CABLE	
37.3	59907179	1	CABLE	

ADDITIONAL LIGHTING "MAUSER"



Pos.	Code	Q.ty	Description	Notes
1	59907180	1	HEADLIGHT	
2	59907181	1	HEADLIGHT	
3	59907182	2	HEADLIGHT	
4	59907183	1	HEADLIGHT	
5	59907184	1	BRACKET	
6	59907040	1	SCREW	
6.1	59907185	1	CABLE	
7	59907108	2	SWITCH	
8	59907155	2	DECAL	
9	59907159	2	FUSE/LOCK	
9.1	59907186	1	CABLE	
10	59907187	1	ROOF	
11	59907188	4	SCREW	
12	59907189	4	WASHER	
13	59907190	4	WASHER	
21	59907191	1	SCREEN WASHER SYSTEM	
22	59907192	1	TANK	
23	59907193	1	PUMP	
24	59907112	5	COLLAR	
25	59907194	1	PIPE	
26	59907195	1	VALVE	
27	59907196	1	INJECTION NOZZLE	
27.1	59907197	1	CABLE	

Pos.	Code	Q.ty	Description	Notes
1	58190515	1	BUSHING	
2	58190516	1	PIN	
3	58190517	1	PIN	
4	58190518	1	WASHER	
5	58190519	1	SUPPORT	
6	58190520	1	NUT	
7	58190521	1	NUT	
8	58190522	1	ROD	
9	58190523	1	COMPOUND	
A	58190562	1	WASHER	
B	58190563	1	BEARING	
B	58190554	1	BUSHING	
C	58190564	1	ROLLER	
D	58190579	1	BUSHING	
10	58190524	1	SPLIT PIN	
11	58190525	1	PIN	
12	58190526	1	SCREW	
13	58190527	1	WASHER	
14	58190528	1	NUT	
15	58190529	1	CONNECTING BOLT	
16	58190530	1	BRACKET	
17	58190531	1	BRACKET	
18	58190532	1	LIFTING CYLINDER	
19	58190533	1	CONNECTING ROD	
20	58190534	1	SPACER	
21	58190535	1	LUBRICATOR	
22	58190536	1	WASHER	
23	58190502	1	SPACER	
24	58190537	1	PIN	
25	58190538	1	FORK	
26	58190539	1	SCREW	
27	58190540	1	SPACER	
28	58190541	1	BEARING	
29	58190500	1	GEAR	

SERIAL

FRAME "ZAPPATOR"

Version: 30-40CV

CODE REV

Z.01.01_0_22239

Pos.	Code	Q.ty	Description	Notes
30	58190542	1	SPACER	
31	58190543	1	NUT	
32	58190544	1	SCREW	
33	58190545	1	PIN	
34	58190546	1	SPACER	
35	58190501	1	ROLLER	
36	58190547	1	CONNECTING ROD	
37	58190548	1	COMPOUND	
38	58190549	1	BAFFLE	
39	58190550	1	SCREW	
40	58190551	1	EJECTOR	
41	58190552	1	ROD	
42	58190553	1	NUT	
44	58190555	1	SCREW	
45	58190556	1	HANDLE	
46	58190557	1	NUT	
47	58190558	1	SUMP	
48	58190559	1	SUMP	
49	58190560	1	SCREW	
50	58190561	1	WASHER	

Pos.	Code	Q.ty	Description	Notes
1	58190504	1	CARDAN SHAFT	
2	58190565	1	OVERDRIVE	
3	58190505	1	BLADE	
4	58190566	1	NUT	
5	58190567	1	LUBRICATOR	
6	58190568	1	NUT	
7	58190506	1	PULLEY	
8	58190569	1	OIL SEAL	
9	58190570	1	BEARING	
10	58190571	1	SEEGER RING	
11	58190514	1	SUPPORT	
12	58190572	1	BUSHING	
13	58190503	1	PIN	
14	58190511	1	SHEATH	
15	58190512	1	WASHER	
16	58190573	1	SCREW	
17	58190574	1	DOWEL	
18	58190575	1	SCREW	
19	58190576	1	WASHER	
20	58190577	1	NUT	
21	58190578	1	BUSHING	
22	58190509	1	BUSHING	
23	58190510	1	ARM	
24	58190580	1	SCREW	
25	58190581	1	NUT	
26	58190582	1	CAP-WASHER	
27	58190583	1	SPRING	
28	58190584	1	ROD	
29	58190585	1	SPACER	
30	58190586	1	NUT	
31	58190587	1	SCREW	
32	58190588	1	PIN	
33	58190589	1	BEARING	
34	58190590	1	SCREW	

SERIAL

TRANSMISSION "ZAPPATOR"

Version: 30-40CV

CODE REV

Z.02.01_0_22294

Pos.	Code	Q.ty	Description	Notes
35	58190591	1	WASHER	
36	58190592	1	ARM	
37	58190593	1	SCREW	
38	58190513	1	NUT	
39	58190507	1	PULLEY	
40	58190594	1	BELT	
41	58190508	1	PULLEY	

Pos.	Code	Q.ty	Description	Notes
1	58190595	1	PIPE	
2	58190596	1	NIPPLE	
3	58190597	1	COPPER WASHER 1/2	
4	58190598	1	COUPLING	
5	58190599	1	PLUG	
6	58190600	1	NIPPLE	
7	58190601	1	COPPER WASHER 1/4	
8	58190602	1	LUBRICATOR	
9	58190603	1	HEXAGON NUT	
10	58190604	1	PISTON	
11	58190605	1	CYLINDER	
12	58190606	1	GASKET SET	
13	58190607	1	ROD	
14	58190608	1	PLUG	

Pos.	Code	Q.ty	Description	Notes
1	58190609	1	PTO SHAFT	
2	58190610	1	OIL SEAL	
3	58190611	1	SEEGER RING	
4	58190612	1	BEARING	
5	58190613	1	BEARING	
6	58190614	1	SEEGER RING	
7	58190615	1	FLANGE	
8	58190616	1	OIL SEAL	
9	58190617	1	SHAFT	
10	58190618	1	HUB	
11	58190619	1	BOX	
12	58190620	1	HEXAGON NUT	
13	58190621	1	WASHER 6592	
14	58190622	1	PULLEY	
15	58190623	1	FLANGE	
16	58190624	1	OIL SEAL	
17	58190625	1	PINION	
18	58190626	1	CASING	
19	58190627	1	SPACER	
20	58190628	1	CROWN WHEEL	
21	58190629	1	SEEGER RING	

SPARE PARTS INSTANCE INDEX





SPARE PARTS INSTANCE INDEX

Code	Parts Table	Pos.	Q.ty	Code	Parts Table	Pos.	Q.ty	Code	Parts Table	Pos.	Q.ty
30000200	L.03.01_1_21307	32	1	31112049	N.01.02_0_21821	37	1	31112150	D.03.01_1_20524	7	1
30000506	E.02.02_1_21030	29	1	31112082	A.04.01_1_20114	9	1		D.03.02_1_20559	7	1
30000514	B.03.01_1_20251	12	1		D.03.01_1_20524	21	1		D.14.01_1_20843	3	1
30040005	L.01.02_0_21134	10	1		D.03.02_1_20559	21	1		M.03.01_1_21663	45	1
	M.01.01_1_21524	9	1	31112087	A.01.04_0_20042	29	1		M.03.02_1_21720	48	1
31111084	B.05.01_1_20315	17	1	31112089	E.02.02_1_21030	12	1		T.01.01_0_22023	21	1
	E.03.01_0_21069	15	1	31112090	A.01.04_0_20042	30	1	31112151	B.02.01_1_20176	24	1
31111090	D.06.01_2_75280	23	2		A.03.01_1_20096	6	1		B.02.01_2_20209	23	1
	M.03.01_1_21663	33	1		A.05.01_1_20132	6	1		B.05.01_1_20315	13	1
	M.03.02_1_21720	39	1		B.07.01_1_20387	3	1		D.19.01_1_20925	23	1
31111091	M.02.02_1_21619	38	1		D.05.01_1_20621	26	1	31112152	B.03.01_1_20251	20	1
31111097	A.04.01_1_20114	8	1		M.03.02_1_21720	42	1		B.03.01_1_20251	33	1
31111151	A.05.01_1_20132	8	1	31112093	D.12.01_1_20808	6	1	31112154	L.01.02_0_21134	6	1
	B.02.01_1_20176	18	1		M.01.01_1_21524	34	1		M.01.01_1_21524	4	1
	B.02.01_2_20209	18	1	31112146	A.01.04_0_20042	26	1		N.01.01_0_21778	18	1
	B.02.01_2_20209	25	1		L.03.01_1_21307	27	1		N.01.02_0_21821	18	1
	B.06.03_1_20374	10	1		L.03.02_0_21373	27	1	31112155	D.19.01_1_20925	20/2	1
	D.12.01_1_20808	5	1		L.05.01_0_21453	9	1	31112158	N.02.01_0_21864	45	1
	E.01.02_1_20987	13	1		L.06.01_0_21487	9	1		N.03.01_0_21943	45	1
	L.01.02_0_21134	20	1		M.03.01_1_21663	8	1	31112159	A.01.04_0_20042	23	1
	L.03.01_1_21307	20	1		M.03.02_1_21720	8	1	31112174	A.01.04_0_20042	18	1
	L.03.02_0_21373	20	1		N.02.01_0_21864	28	1		L.03.01_1_21307	17	1
	M.01.01_1_21524	20	1		N.03.01_0_21943	28	1		L.03.02_0_21373	17	1
	M.02.01_1_21578	20	1		N.04.01_0_22004	8	1		M.02.01_1_21578	17	1
	M.02.02_1_21619	20	1	31112147	A.01.04_0_20042	25	1		M.02.02_1_21619	17	1
	N.01.01_0_21778	13	1		D.19.01_1_20925	20/1	1		N.02.01_0_21864	17	1
	N.01.02_0_21821	13	1		E.02.02_1_21030	17	1		N.02.02_0_21923	3	1
	N.02.01_0_21864	20	1		M.03.01_1_21663	46	1		N.03.01_0_21943	17	1
	N.02.02_0_21923	16	1		M.03.02_1_21720	49	1	31112208	B.02.01_2_20209	39	1
	N.03.01_0_21943	20	1	31112148	A.02.01_1_20083	10	1	31112210	F.01.01_1_21091	4	1
	T.01.01_0_22023	3	1	31112150	A.01.02_1_19967	5	1	31112211	B.02.01_1_20176	15	1
31111163	D.04.01_1_20595	4	1		A.01.04_0_20042	5	1		B.02.01_2_20209	15	1
31112049	E.03.01_0_21069	10	1		B.03.01_1_20251	24	1		C.01.01_2_22204	4	0
	N.01.01_0_21778	37	1		B.03.01_1_20251	37	1		C.02.01_1_20434	3	1

SPARE PARTS INSTANCE INDEX

Code	Parts Table	Pos.	Q.ty	Code	Parts Table	Pos.	Q.ty	Code	Parts Table	Pos.	Q.ty
31112211	M.01.01_1_21524	42	1	31211040	E.03.01_0_21069	16	1	31241142	M.01.01_1_21524	49	1
	N.01.01_0_21778	19	1	31211050	E.02.02_1_21030	32	1		N.01.01_0_21778	31	1
	N.01.02_0_21821	19	1	31211060	A.02.01_1_20083	3	1		N.01.02_0_21821	31	1
31112212	D.17.01_1_20897	2	1		A.03.01_1_20096	9	1	31411066	B.02.01_2_20209	33	1
	L.01.02_0_21134	4	1		B.02.01_2_20209	35	1	31411084	A.01.02_1_19967	7	1
31112214	B.03.01_1_20251	11	1		E.02.02_1_21030	14	1		A.01.04_0_20042	7	1
	C.02.01_1_20434	2	1	31211080	A.01.02_1_19967	10	1		B.02.01_1_20176	25	1
31112219	A.01.02_1_19967	3	1		A.01.04_0_20042	10	1		B.02.01_2_20209	24	1
	A.01.04_0_20042	3	1		A.03.01_1_20096	3	1		B.03.01_1_20251	21	1
	B.02.01_1_20176	7	1		L.03.01_1_21307	22.6	1		B.03.01_1_20251	34	1
	B.02.01_2_20209	7	1		L.03.02_0_21373	22.6	1		B.05.01_1_20315	14	1
	C.03.01_1_20449	14	1		L.04.01_0_21436	6	1		B.06.01_1_20345	4	1
	F.01.01_1_21091	3	1		L.05.01_0_21453	6	1		N.02.01_0_21864	50	1
	L.01.02_0_21134	5	1		L.06.01_0_21487	6	1		N.03.01_0_21943	50	1
	M.01.01_1_21524	3	1		M.03.01_1_21663	5	1	31411090	B.02.01_1_20176	13	1
	N.01.01_0_21778	4	1		M.03.02_1_21720	5	1		B.02.01_2_20209	13	1
	N.01.02_0_21821	4	1		N.04.01_0_22004	5	1		F.01.01_1_21091	8	1
31112254	B.03.01_1_20251	27	1	31211100	L.03.01_1_21307	10	1	31411104	M.01.01_1_21524	25	1
31112264	B.03.01_1_20251	16	1		L.03.02_0_21373	10	1		M.01.01_1_21524	32	1
31112272	B.01.01_1_20151	16	1		L.04.01_0_21436	4	1	31411105	A.01.02_1_19967	4	1
	B.03.01_1_20251	10	1		L.05.01_0_21453	14	1		A.01.04_0_20042	4	1
	T.01.01_0_22023	8	1		L.06.01_0_21487	14	1		B.02.01_2_20209	40	1
	T.03.01_0_22054	2	1		M.02.01_1_21578	10	1		D.05.01_1_20621	8	1
31112292	B.01.01_1_20151	13	1		M.02.02_1_21619	10	1		D.19.01_1_20925	27	1
31112293	B.03.01_1_20251	28	1		M.03.01_1_21663	12	1	31411130	B.01.01_1_20151	18	1
31112880	W.01.01_0_22083	5	1		M.03.02_1_21720	12	1		D.18.01_1_20914	8	1
	W.02.01_0_22113	5	1		N.02.01_0_21864	10	1		D.19.01_1_20925	16	1
	W.03.01_0_22136	5	1		N.03.01_0_21943	10	1		W.01.01_0_22083	4	1
	W.04.01_0_22155	5	1		N.04.01_0_22004	16	1		W.02.01_0_22113	4	1
31122804	B.02.01_1_20176	9	1	31212100	B.02.01_2_20209	41	1		W.03.01_0_22136	4	1
	B.02.01_2_20209	9	1	31241051	B.02.01_1_20176	28	1		W.04.01_0_22155	4	1
31132562	A.02.01_1_20083	2	1	31241100	T.03.01_0_22054	10	1	31411150	C.01.01_2_22204	27	0
31152101	C.02.01_1_20434	4	1	31241122	C.01.01_2_22204	30.1	0		D.05.01_1_20621	13	1
31211040	B.05.01_1_20315	19	1	31241140	B.03.01_1_20251	6	1		D.17.01_1_20897	15	1

SPARE PARTS INSTANCE INDEX

Code	Parts Table	Pos.	Q.ty	Code	Parts Table	Pos.	Q.ty	Code	Parts Table	Pos.	Q.ty
31411150	D.19.01_1_20925	24	1	37111255	D.01.01_2_22170	15	1	51171603	C.03.01_1_20449	6	1
31411170	T.01.01_0_22023	16	1		D.16.01_1_20885	7	1	51171604	C.03.01_1_20449	7	1
31411190	T.01.01_0_22023	14	1	37111299	D.07.01_1_20675	11	1	51171641	L.01.02_0_21134	1	1
31411210	T.04.01_0_22065	6	1	37111303	D.02.01_1_20500	2	1	51171648	D.13.01_1_20823	10	1
31421083	A.01.04_0_20042	19	1		D.13.01_1_20823	9	1		D.15.01_1_20855	10	1
31450060	D.06.01_2_75280	24	2		D.15.01_1_20855	9	1	51172366	M.01.01_1_21524	1	1
34110030	D.19.01_1_20925	17	1	37111353	D.02.01_1_20500	3	1		N.01.01_0_21778	1	1
	M.01.01_1_21524	31	1		D.16.01_1_20885	5	1		N.01.02_0_21821	1	1
34211054	D.03.01_1_20524	29	1	37111390	D.01.01_2_22170	10	0	51172508	D.11.01_1_20782	3	1
	D.03.02_1_20559	31	1	37112172	L.03.01_1_21307	3	1	51172563	W.01.01_0_22083	20	1
	D.14.01_1_20843	5	1		L.03.02_0_21373	3	1		W.02.01_0_22113	15	1
35111018	D.05.01_1_20621	18	1		M.02.01_1_21578	3	1		W.03.01_0_22136	13	1
35111037	D.03.02_1_20559	6	1		M.02.02_1_21619	3	1		W.04.01_0_22155	13	1
35111047	D.03.01_1_20524	6	1		N.02.01_0_21864	3	1	51172601	C.03.01_1_20449	11	1
	L.03.01_1_21307	5	1		N.03.01_0_21943	3	1	51172602	C.03.01_1_20449	12	1
	L.03.02_0_21373	5	1	37112230	C.02.01_1_20434	8	1	51172830	L.03.01_1_21307	1	1
	M.02.01_1_21578	5	1	38111191	D.03.01_1_20524	25	1		L.03.02_0_21373	1	1
	M.02.02_1_21619	5	1		D.03.02_1_20559	27	1		M.02.01_1_21578	1	1
	N.02.01_0_21864	5	1	38112200	D.14.01_1_20843	9	1		M.02.02_1_21619	1	1
	N.03.01_0_21943	5	1	38112507	L.03.01_1_21307	35	1		N.02.01_0_21864	1	1
35111052	D.03.01_1_20524	11	1		L.03.02_0_21373	35	1		N.03.01_0_21943	1	1
	D.03.02_1_20559	11	1		M.02.01_1_21578	23	1	51172832	L.03.01_1_21307	11	1
	D.16.01_1_20885	8	1		M.02.02_1_21619	23	1		L.03.02_0_21373	11	1
35111055	C.02.01_1_20434	9	1		N.02.01_0_21864	34	1		M.02.01_1_21578	11	1
35111072	D.02.01_1_20500	1	1		N.03.01_0_21943	34	1		M.02.02_1_21619	11	1
	D.16.01_1_20885	4	1	38112982	D.02.01_1_20500	17	1		N.02.01_0_21864	11	1
35121014	D.05.01_1_20621	14	1	38114070	D.02.01_1_20500	20	1		N.03.01_0_21943	11	1
	D.17.01_1_20897	16	1	38212200	D.15.01_1_20855	22	1	51172962	M.01.01_1_21524	47	1
35121030	D.13.01_1_20823	4	1	39118525	W.02.01_0_22113	7	1		N.01.01_0_21778	30	1
	D.15.01_1_20855	4	1	39416018	W.01.01_0_22083	3	1		N.01.02_0_21821	30	1
35131026	D.07.01_1_20675	1	1		W.02.01_0_22113	3	1	51173115	M.01.01_1_21524	43	1
	D.19.01_1_20925	9	1	41N90003	A.01.02_1_19967	1	1		N.01.01_0_21778	22	1
35211060	B.01.01_1_20151	8	1	41N91003	A.01.04_0_20042	1	1		N.01.02_0_21821	22	1
35211070	M.01.01_1_21524	28	1	50974166	D.06.01_2_75280	19	1	51173455	C.01.01_2_22204	1/1	0

SPARE PARTS INSTANCE INDEX

Code	Parts Table	Pos.	Q.ty	Code	Parts Table	Pos.	Q.ty	Code	Parts Table	Pos.	Q.ty
51173459	C.03.01_1_20449	1/1	1	52373484	D.04.01_1_20595	12	1	52473793	D.07.01_1_20675	15	1
51173472	D.09.01_2_75346	10	1	52373530	D.01.01_2_22170	2	0	52473796	D.08.01_2_75308	17	1
51173478	C.02.01_1_20434	6	1	52374182	D.09.01_2_75346	3	1	52473812	D.08.01_2_75308	6	1
51173485	D.04.01_1_20595	10	1	52374183	D.09.01_2_75346	2	1	52473813	D.08.01_2_75308	6	1
51173486	D.04.01_1_20595	9	1	52471459	D.08.01_2_75308	20	1	52473815	D.07.01_1_20675	13	1
51173489	D.03.01_1_20524	4	1	52471509	D.10.01_1_20762	6	1	52473920	D.11.01_1_20782	4/2	1
51173508	C.01.01_2_22204	22	0	52471513	D.10.01_1_20762	5	1	52473921	D.11.01_1_20782	12/2	1
51173581	C.01.01_2_22204	17	0	52471516	D.10.01_1_20762	4	1	52473922	D.10.01_1_20762	14	1
51173816	C.03.01_1_20449	13	1	52471531	D.11.01_1_20782	12/1	1	52474110	D.15.01_1_20855	2	1
51174121	C.03.01_1_20449	1/2	1	52471533	D.11.01_1_20782	4/1	1	52474111	D.15.01_1_20855	29	1
	D.15.01_1_20855	28	1	52472430	D.03.01_1_20524	23	1	52474112	D.15.01_1_20855	14	1
51175172	C.01.01_2_22204	1/2	0		D.03.02_1_20559	25	1	52474113	D.15.01_1_20855	27	1
	D.16.01_1_20885	6	1		D.14.01_1_20843	11	1	52474123	D.13.01_1_20823	6	1
51175263	B.01.01_1_20151	12	1		D.17.01_1_20897	10	1		D.15.01_1_20855	6	1
51175399	D.03.02_1_20559	4	1	52472662	D.13.01_1_20823	14	1	52474173	D.06.01_2_75280	15	1
51176280	C.01.01_2_22204	2	1	52472933	D.13.01_1_20823	2	1	52474175	D.08.01_2_75308	25	1
51176281	C.01.01_2_22204	3	1	52473394	D.01.01_2_22170	17	0	52474176	D.03.01_1_20524	15/2	1
51271647	D.12.01_1_20808	13	1	52473395	D.01.01_2_22170	18	0		D.03.02_1_20559	15/2	1
51271696	D.09.01_2_75346	29	1	52473456	D.02.01_1_20500	6	1	52474190	D.13.01_1_20823	1	1
51272405	D.09.01_2_75346	28	1	52473457	D.02.01_1_20500	4	1		D.15.01_1_20855	1	1
51276282	C.01.01_2_22204	5	1	52473463	D.02.01_1_20500	5	1	52474239	D.07.01_1_20675	13	1
51276283	C.01.01_2_22204	6	1	52473487	D.04.01_1_20595	7	1	52474419	D.06.01_2_75280	18	1
51372479	M.01.01_1_21524	41	1	52473713	D.07.01_1_20675	5	1	52475918	D.06.01_2_75280	10	1
	N.01.01_0_21778	21	1	52473719	D.07.01_1_20675	7	1	52475919	D.06.01_2_75280	6	1
	N.01.02_0_21821	21	1	52473720	D.07.01_1_20675	10	1	52475920	D.08.01_2_75308	12	1
51374866	D.10.01_1_20762	3	1	52473721	D.08.01_2_75308	19	1	52475921	D.06.01_2_75280	7	2
52173317	D.01.01_2_22170	24	0	52473722	D.07.01_1_20675	8	1	52475922	D.08.01_2_75308	7	1
52275923	D.09.01_2_75346	25	1	52473726	D.08.01_2_75308	23	1	52475935	D.08.01_2_75308	15	1
52275924	D.09.01_2_75346	27	1	52473786	D.03.01_1_20524	14	1	52476392	D.06.01_2_75280	13	1
52371679	D.14.01_1_20843	10	1		D.03.02_1_20559	14	1	52572605	D.10.01_1_20762	12	1
52373240	D.09.01_2_75346	26	1	52473787	D.03.01_1_20524	13	1	52572606	D.10.01_1_20762	13	1
52373252	D.18.01_1_20914	3	1		D.03.02_1_20559	13	1	55072935	B.02.01_2_20209	31	1
52373294	D.03.01_1_20524	24	1	52473789	D.08.01_2_75308	6	1	55073540	E.02.02_1_21030	7	1
	D.03.02_1_20559	26	1	52473791	D.07.01_1_20675	13	1	55170047	D.18.01_1_20914	6	1



SPARE PARTS INSTANCE INDEX

Code	Parts Table	Pos.	Q.ty	Code	Parts Table	Pos.	Q.ty	Code	Parts Table	Pos.	Q.ty
55170053	D.09.01_2_75346	7	1	56075578	M.03.02_1_21720	40	1	56172750	N.04.01_0_22004	7	1
55172994	A.03.01_1_20096	11	1	56075582	M.03.02_1_21720	34	1	56172769	N.02.01_0_21864	29	1
55172995	A.03.01_1_20096	10	1	56170017	L.01.02_0_21134	7	1		N.03.01_0_21943	29	1
55172997	A.04.01_1_20114	5	1		M.01.01_1_21524	5	1		N.04.01_0_22004	14	1
55174162	D.09.01_2_75346	5	1		N.01.01_0_21778	17	1	56172770	N.04.01_0_22004	13	1
55174163	D.09.01_2_75346	4	1		N.01.02_0_21821	17	1	56172905	L.01.02_0_21134	17	1
55175174	B.02.01_1_20176	12	1	56170043	D.18.01_1_20914	7	1		M.01.01_1_21524	17	1
	B.02.01_2_20209	12	1	56171237	B.07.01_1_20387	8	1		N.01.01_0_21778	10	1
	F.01.01_1_21091	9	1	56171568	D.11.01_1_20782	7/1	1		N.01.02_0_21821	10	1
55273328	A.05.01_1_20132	1	1	56171788	T.01.01_0_22023	23	1		N.02.02_0_21923	10	1
56071681	B.01.01_1_20151	7	1	56171789	T.01.01_0_22023	24	1	56172917	L.03.01_1_21307	39	1
56071684	B.01.01_1_20151	6	1	56171936	D.19.01_1_20925	22.1	1		L.03.02_0_21373	39	1
56071768	A.02.01_1_20083	9	1	56171938	B.02.01_1_20176	27	1		M.02.01_1_21578	27	1
56072960	M.01.01_1_21524	37	1		B.02.01_2_20209	30	1		M.02.02_1_21619	27	1
	N.01.01_0_21778	26	1	56171954	B.02.01_1_20176	16	1		N.02.01_0_21864	32	1
	N.01.02_0_21821	26	1		B.02.01_2_20209	16	1		N.03.01_0_21943	32	1
56073148	M.01.01_1_21524	40	1	56171996	B.02.01_1_20176	11	1	56172926	N.01.01_0_21778	34	1
	N.01.01_0_21778	29	1		B.02.01_2_20209	11	1		N.01.02_0_21821	34	1
	N.01.02_0_21821	29	1		F.01.01_1_21091	10	1	56172964	B.03.01_1_20251	29	1
56073153	T.04.02_0_22073	5	1	56172079	D.13.01_1_20823	16	1	56172985	A.04.01_1_20114	7	1
56073155	T.04.02_0_22073	1	1		D.15.01_1_20855	16	1	56172993	A.04.01_1_20114	11	1
56074233	T.01.01_0_22023	6	1	56172080	D.13.01_1_20823	17	1	56172998	A.04.01_1_20114	2	1
56074234	T.01.01_0_22023	7	1		D.15.01_1_20855	17	1	56173012	A.03.01_1_20096	5	1
56075197	M.03.01_1_21663	40	1	56172129	B.02.01_1_20176	30	1	56173013	A.04.01_1_20114	6	1
	M.03.02_1_21720	45	1	56172483	N.01.01_0_21778	24	1	56173016	C.03.01_1_20449	15	1
56075198	M.03.01_1_21663	41	1		N.01.02_0_21821	24	1	56173065	A.01.02_1_19967	12	1
	M.03.02_1_21720	46	1	56172561	L.03.01_1_21307	26	1		A.01.04_0_20042	12	1
56075265	M.01.01_1_21524	30	1		L.03.02_0_21373	26	1	56173204	A.01.02_1_19967	11	1
56075473	M.01.01_1_21524	33	1		N.02.01_0_21864	27	1		A.01.02_1_19967	16.8	1
56075479	M.03.01_1_21663	43	1		N.03.01_0_21943	27	1		A.01.04_0_20042	11	1
56075480	M.03.01_1_21663	44	1	56172750	L.05.01_0_21453	8	1	56173338	L.03.01_1_21307	19	1
56075481	M.03.01_1_21663	42	1		L.06.01_0_21487	8	1		L.03.02_0_21373	19	1
	M.03.02_1_21720	47	1		M.03.01_1_21663	7	1		M.02.01_1_21578	19	1
56075483	M.03.01_1_21663	31	1		M.03.02_1_21720	7	1		M.02.02_1_21619	19	1



SPARE PARTS INSTANCE INDEX

Code	Parts Table	Pos.	Q.ty	Code	Parts Table	Pos.	Q.ty	Code	Parts Table	Pos.	Q.ty
56173338	N.02.01_0_21864	19	1	56175566	L.06.01_0_21487	15	1	56370228	B.01.01_1_20151	14	1
	N.03.01_0_21943	19	1		M.03.01_1_21663	13	1		C.01.01_2_22204	20	0
56173343	E.01.02_1_20987	12	1		M.03.02_1_21720	13	1		C.02.01_1_20434	1.1	1
56173468	D.04.01_1_20595	1	1	56175567	L.03.01_1_21307	23	1		L.01.02_0_21134	8	1
56173490	D.03.01_1_20524	9	1		L.03.02_0_21373	23	1		M.01.01_1_21524	6	1
	D.03.02_1_20559	9	1		L.05.01_0_21453	16	1		N.01.01_0_21778	16	1
	D.15.01_1_20855	21	1		L.06.01_0_21487	16	1		N.01.02_0_21821	16	1
	D.16.01_1_20885	10	1		M.03.01_1_21663	14	1	56370539	W.01.01_0_22083	21	1
56173608	T.03.01_0_22054	1	1		M.03.02_1_21720	14	1		W.02.01_0_22113	16	1
56173609	T.03.01_0_22054	5	1	56175956	A.01.02_1_19967	16.6	1		W.03.01_0_22136	14	1
56173621	T.03.01_0_22054	7	1		A.01.04_0_20042	22	1		W.04.01_0_22155	14	1
56173632	B.02.01_1_20176	21	1	56175957	A.01.02_1_19967	16.5	1	56371210	T.01.01_0_22023	18	1
56173633	B.02.01_1_20176	20	1		A.01.04_0_20042	21	1	56371222	B.07.01_1_20387	6	1
56173862	B.03.01_1_20251	31/1	1	56175958	A.01.02_1_19967	16.7	1	56371440	D.06.01_2_75280	3	2
56173863	B.03.01_1_20251	32/1	1		A.01.04_0_20042	27	1	56371575	D.11.01_1_20782	5	1
56173919	D.11.01_1_20782	7/2	1	56175959	A.01.02_1_19967	16.9	1	56371576	D.11.01_1_20782	5	1
56174116	D.17.01_1_20897	5	1		A.01.04_0_20042	28	1	56371577	D.11.01_1_20782	5	1
56174117	D.17.01_1_20897	13	1	56175960	A.01.02_1_19967	16.3	1	56371578	D.11.01_1_20782	5	1
56174152	T.04.01_0_22065	4	1		A.01.04_0_20042	24	1	56371579	D.11.01_1_20782	5	1
56174153	T.04.01_0_22065	5	1	56176004	D.03.02_1_20559	23	1	56371582	D.01.01_2_22170	11	0
56174160	E.01.02_1_20987	7	1	56176050	B.05.01_1_20315	8	1		D.10.01_1_20762	11	1
56174241	B.03.01_1_20251	9	1	56176278	D.01.01_2_22170	16	1	56371583	D.01.01_2_22170	11	0
56174337	B.02.01_2_20209	32	1	56176279	D.01.01_2_22170	14	1		D.10.01_1_20762	11	1
56174365	B.03.01_1_20251	19	1	56176373	L.03.01_1_21307	54	1	56371584	D.01.01_2_22170	11	0
56174366	B.03.01_1_20251	18	1		L.03.02_0_21373	33	1		D.10.01_1_20762	11	1
56174379	B.03.01_1_20251	31/2	1		M.02.01_1_21578	37	1	56371585	D.01.01_2_22170	11	0
56174427	B.01.01_1_20151	1.2	1		M.02.02_1_21619	40	1		D.10.01_1_20762	11	1
56174454	B.03.01_1_20251	32/2	1	56177693	B.01.01_1_20151	1.1	1	56371586	D.01.01_2_22170	11	0
56174873	B.01.01_1_20151	15	1	56271457	D.08.01_2_75308	22	1		D.10.01_1_20762	11	1
56175342	D.16.01_1_20885	2	1	56275339	D.16.01_1_20885	1	1	56371605	C.03.01_1_20449	9	1
56175540	B.03.01_1_20251	7	1	56370018	D.09.01_2_75346	11	1	56371606	C.03.01_1_20449	8	1
56175544	D.19.01_1_20925	31	1	56370081	C.01.01_2_22204	13	0	56371646	D.12.01_1_20808	11	1
56175566	L.04.01_0_21436	2	1		D.11.01_1_20782	14	1	56371652	D.08.01_2_75308	1	1
	L.05.01_0_21453	15	1	56370172	D.09.01_2_75346	14	1	56371661	D.08.01_2_75308	26	1

SPARE PARTS INSTANCE INDEX

Code	Parts Table	Pos.	Q.ty	Code	Parts Table	Pos.	Q.ty	Code	Parts Table	Pos.	Q.ty
56371662	D.08.01_2_75308	26	1	56373251	D.19.01_1_20925	10	1	56472318	M.01.01_1_21524	44	1
56371663	D.08.01_2_75308	26	1	56373253	D.19.01_1_20925	15	1		N.01.01_0_21778	14	1
56371664	D.08.01_2_75308	26	1	56373349	D.11.01_1_20782	5	1		N.01.02_0_21821	14	1
56371721	D.19.01_1_20925	30	1	56373350	D.11.01_1_20782	5	1	56473458	D.02.01_1_20500	11	1
56371810	D.12.01_1_20808	3	1	56373440	D.08.01_2_75308	26	1	56473465	D.04.01_1_20595	19	1
56371994	D.01.01_2_22170	7	0	56373464	D.02.01_1_20500	8	1	56473479	C.01.01_2_22204	21	0
	D.10.01_1_20762	8	1	56373474	D.09.01_2_75346	17	1	56473482	C.01.01_2_22204	23	0
56372067	T.01.01_0_22023	30	1	56373475	D.09.01_2_75346	20	1	56473513	D.01.01_2_22170	8	0
	T.04.02_0_22073	4	1	56373476	D.09.01_2_75346	19	1	56473528	D.01.01_2_22170	25	0
56372086	T.01.01_0_22023	15	1	56373502	T.04.02_0_22073	6	1	56473601	D.03.01_1_20524	1	1
56372831	L.03.01_1_21307	2	1	56373561	D.02.01_1_20500	8	1		D.03.02_1_20559	1	1
	L.03.02_0_21373	2	1	56373562	D.02.01_1_20500	8	1	56477572	L.03.01_1_21307	57	1
	M.02.01_1_21578	2	1	56373568	D.01.01_2_22170	26	0		L.03.02_0_21373	55	1
	M.02.02_1_21619	2	1	56373618	D.03.01_1_20524	26	1		M.02.01_1_21578	38	1
	N.02.01_0_21864	2	1		D.03.02_1_20559	28	1		M.02.02_1_21619	41	1
	N.03.01_0_21943	2	1	56373627	D.19.01_1_20925	18	1	56570506	M.01.01_1_21524	22	1
56372952	M.01.01_1_21524	38	1	56373628	D.05.01_1_20621	3	1	56571697	D.09.01_2_75346	21	1
	N.01.01_0_21778	27	1	56373861	D.09.01_2_75346	16	1	56571785	L.01.02_0_21134	12	1
	N.01.02_0_21821	27	1	56374191	D.02.01_1_20500	12	1		M.01.01_1_21524	12	1
56372953	M.01.01_1_21524	38	1	56375444	D.19.01_1_20925	28/1	1		N.01.01_0_21778	5	1
	N.01.01_0_21778	27	1	56375471	M.01.01_1_21524	23	1	56571824	T.01.01_0_22023	1	1
	N.01.02_0_21821	27	1	56375543	D.19.01_1_20925	28/2	1	56572959	M.01.01_1_21524	48	1
56372954	M.01.01_1_21524	38	1	56376393	D.09.01_2_75346	18	1		N.01.01_0_21778	23	1
	N.01.01_0_21778	27	1	56470365	D.05.01_1_20621	7	1		N.01.02_0_21821	23	1
	N.01.02_0_21821	27	1		D.19.01_1_20925	26	1	56573299	D.04.01_1_20595	23	1
56372955	M.01.01_1_21524	38	1	56471441	D.06.01_2_75280	4	1	56573467	D.04.01_1_20595	16	1
	N.01.01_0_21778	27	1	56471461	D.08.01_2_75308	24	1	56573580	D.03.01_1_20524	3/2	1
	N.01.02_0_21821	27	1	56471508	D.10.01_1_20762	7	1		D.03.02_1_20559	3/2	1
56373163	L.03.01_1_21307	55	1	56471654	D.03.01_1_20524	19	1	56573602	D.03.01_1_20524	3/1	1
	L.03.02_0_21373	53	1		D.03.02_1_20559	19	1		D.03.02_1_20559	3/1	1
	M.03.01_1_21663	53	1		D.06.01_2_75280	11	1	57174884	A.05.01_1_20132	1.3	1
	M.03.02_1_21720	55	1	56471655	D.08.01_2_75308	4	1	57370321	B.07.01_1_20387	4	1
	N.02.01_0_21864	51	1	56471709	D.18.01_1_20914	4	1		E.01.02_1_20987	11	1
	N.03.01_0_21943	51	1	56471813	D.19.01_1_20925	11	1	57370998	E.02.02_1_21030	11	1

SPARE PARTS INSTANCE INDEX

Code	Parts Table	Pos.	Q.ty	Code	Parts Table	Pos.	Q.ty	Code	Parts Table	Pos.	Q.ty
57371825	A.04.01_1_20114	4	1	58070790	D.05.01_1_20621	4	1	58072642	T.01.01_0_22023	12	1
57371900	A.05.01_1_20132	2	1		D.19.01_1_20925	5	1	58072737	B.04.01_1_20291	10	1
57372600	B.05.01_1_20315	4	1	58071313	E.01.02_1_20987	9	1	58072795	L.05.01_0_21453	20	1
57373097	B.01.01_1_20151	2	1	58071534	L.01.02_0_21134	16	1		L.06.01_0_21487	23	1
57374133	B.02.01_2_20209	26	1		M.01.01_1_21524	16	1		M.03.01_1_21663	17	1
57374134	B.02.01_2_20209	27	1		N.01.01_0_21778	9	1		M.03.02_1_21720	20	1
57374197	B.05.01_1_20315	9/1	1		N.01.02_0_21821	9	1	58072796	L.06.01_0_21487	22	1
57374211	B.02.01_1_20176	3	1		N.02.02_0_21923	9	1		M.03.02_1_21720	19	1
	B.02.01_2_20209	3	1	58071757	M.01.01_1_21524	46	1	58073018	E.03.01_0_21069	12	1
57374212	B.02.01_1_20176	4	1	58071793	C.02.01_1_20434	1.2	1	58073019	E.03.01_0_21069	13	1
	B.02.01_2_20209	4	1	58071805	L.01.02_0_21134	11/1	1	58073020	N.02.02_0_21923	6	1
57374245	B.05.01_1_20315	9/3	1		M.01.01_1_21524	8/1	1	58073192	M.01.01_1_21524	39	1
	E.03.01_0_21069	14	1	58071998	T.01.01_0_22023	5	1		N.01.01_0_21778	28	1
57375465	M.03.01_1_21663	37	1	58072045	L.01.02_0_21134	9	1		N.01.02_0_21821	28	1
57375605	M.03.02_1_21720	41	1		M.01.01_1_21524	10	1	58073235	E.02.02_1_21030	23	1
57375621	B.05.01_1_20315	9/2	1	58072136	N.03.01_0_21943	55	1	58073236	E.02.02_1_21030	24	1
58024193	D.08.01_2_75308	3	1	58072138	L.04.01_0_21436	9	1	58073237	A.05.01_1_20132	12	1
58024194	D.08.01_2_75308	3	1		L.05.01_0_21453	19	1	58073300	A.01.02_1_19967	8	1
58024195	D.08.01_2_75308	3	1		L.06.01_0_21487	20	1		A.01.04_0_20042	8	1
58024196	D.08.01_2_75308	3	1	58072269	L.03.01_1_21307	52	1	58073344	E.02.02_1_21030	2	1
58045806	B.05.01_1_20315	20	1		L.03.02_0_21373	51	1	58073481	C.01.01_2_22204	18	0
58048002	A.02.01_1_20083	7	1		M.03.01_1_21663	52	1	58073488	D.04.01_1_20595	18	1
58070097	B.03.01_1_20251	8	1		M.03.02_1_21720	54	1	58073498	F.01.01_1_21091	14	1
58070164	D.09.01_2_75346	13	1	58072465	T.01.01_0_22023	10	1	58073544	N.02.01_0_21864	46	1
58070168	D.09.01_2_75346	15	1	58072484	N.01.01_0_21778	25	1		N.03.01_0_21943	46	1
58070169	D.09.01_2_75346	9	1		N.01.02_0_21821	25	1	58073548	B.04.01_1_20291	2	1
58070198	D.12.01_1_20808	14	1	58072505	D.07.01_1_20675	12	1	58073549	B.04.01_1_20291	1	1
58070366	D.18.01_1_20914	9	1		D.08.01_2_75308	11	1	58073554	B.04.01_1_20291	5	1
58070390	B.07.01_1_20387	7	1	58072510	B.04.01_1_20291	14	1	58073563	F.01.01_1_21091	13	1
58070741	D.03.01_1_20524	16	1	58072511	B.04.01_1_20291	13	1	58073565	E.01.02_1_20987	10	1
	D.03.02_1_20559	16	1	58072517	B.04.01_1_20291	12	1	58073566	B.05.01_1_20315	22	1
	D.09.01_2_75346	24	1	58072520	B.04.01_1_20291	15	1	58073572	B.04.01_1_20291	3/1	1
	D.14.01_1_20843	7	1	58072575	B.04.01_1_20291	18	1	58073573	B.04.01_1_20291	3/2	1
	D.17.01_1_20897	6	1	58072626	T.01.01_0_22023	11	1	58073574	B.04.01_1_20291	4	1



SPARE PARTS INSTANCE INDEX

Code	Parts Table	Pos.	Q.ty	Code	Parts Table	Pos.	Q.ty	Code	Parts Table	Pos.	Q.ty
58073629	C.01.01_2_22204	29	0	58075877	M.03.01_1_21663	18	1	58172011	L.03.01_1_21307	22.2	1
58073640	A.02.01_1_20083	6	1	58075962	A.01.04_0_20042	32	1		L.03.02_0_21373	22.2	1
58073763	E.01.02_1_20987	2	1	58075963	A.01.02_1_19967	16.10	1		L.05.01_0_21453	1.2	1
58073766	E.02.02_1_21030	4	1	58075980	A.02.01_1_20083	5	1		L.06.01_0_21487	1.2	1
58073788	D.06.01_2_75280	20	1	58075998	E.02.02_1_21030	5	1	58172012	L.05.01_0_21453	1.3	1
58073857	B.04.01_1_20291	19	1	58076020	B.04.01_1_20291	17	1		L.06.01_0_21487	1.3	1
58073858	B.04.01_1_20291	20	1	58076077	B.04.01_1_20291	16	1	58172015	L.03.01_1_21307	47	1
58074109	D.08.01_2_75308	3	1	58170021	C.03.01_1_20449	3	1		N.02.01_0_21864	38	1
58074122	B.04.01_1_20291	6/1	1	58170054	D.09.01_2_75346	8	1		N.03.01_0_21943	38	1
58074125	D.17.01_1_20897	1	1	58170376	E.03.01_0_21069	6	1	58172016	L.04.01_0_21436	1	1
58074161	L.03.01_1_21307	41	1	58170440	B.06.01_1_20345	1	1		L.05.01_0_21453	5/2	1
	L.03.02_0_21373	41	1	58170449	T.01.01_0_22023	19	1		L.06.01_0_21487	5/2	1
	M.02.01_1_21578	31	1	58170453	B.05.01_1_20315	24	1		M.03.01_1_21663	4/2	1
	M.02.02_1_21619	31	1		E.02.02_1_21030	2.1	1		M.03.02_1_21720	4/2	1
	N.02.01_0_21864	42	1	58170571	E.02.02_1_21030	1.2	1		N.04.01_0_22004	4/2	1
	N.03.01_0_21943	42	1	58170572	E.02.02_1_21030	1.1	1	58172267	B.05.01_1_20315	24.1	1
58074199	A.05.01_1_20132	14	1	58170634	B.03.01_1_20251	30	1		E.02.02_1_21030	2.2	1
58074220	B.04.01_1_20291	8	1	58170947	E.02.02_1_21030	25	1	58172489	L.03.01_1_21307	22.3	1
58074222	B.04.01_1_20291	9	1	58170968	B.03.01_1_20251	13	1		L.03.02_0_21373	22.3	1
58074223	B.04.01_1_20291	7	1	58170984	B.02.01_2_20209	36	1		L.05.01_0_21453	3	1
58074564	B.04.01_1_20291	6/2	1	58170995	B.06.02_1_20361	1	1		L.06.01_0_21487	3	1
58074854	E.01.02_1_20987	1	1	58171215	D.19.01_1_20925	22	1		N.04.01_0_22004	2	1
	E.02.02_1_21030	1	1	58171567	D.11.01_1_20782	10	1	58172490	L.03.01_1_21307	22.4	1
58075372	L.03.01_1_21307	48	1	58171653	D.11.01_1_20782	11	1		L.03.02_0_21373	22.4	1
	L.03.02_0_21373	47	1	58171689	W.01.01_0_22083	6.1	1		L.05.01_0_21453	5/1	1
58075373	L.06.01_0_21487	21	1		W.01.01_0_22083	11.1	1		L.06.01_0_21487	5/1	1
	M.03.02_1_21720	18	1		W.02.01_0_22113	9.1	1		M.03.01_1_21663	4/1	1
58075531	M.03.01_1_21663	48	1	58171706	D.18.01_1_20914	1	1		M.03.02_1_21720	4/1	1
58075547	L.01.02_0_21134	11/2	1	58171707	D.18.01_1_20914	2	1		N.04.01_0_22004	4/1	1
	M.01.01_1_21524	8/2	1	58171861	L.01.02_0_21134	2	1	58172571	D.07.01_1_20675	9	1
58075591	M.03.02_1_21720	50	1		M.01.01_1_21524	11	1	58172589	N.02.02_0_21923	7	1
58075592	L.03.02_0_21373	45	1		N.01.01_0_21778	2	1		N.03.01_0_21943	56	1
	M.02.02_1_21619	35	1		N.01.02_0_21821	2	1	58172914	L.03.01_1_21307	12	1
58075877	L.05.01_0_21453	21	1	58171890	W.01.01_0_22083	14.1	1		L.03.02_0_21373	12	1

SPARE PARTS INSTANCE INDEX

Code	Parts Table	Pos.	Q.ty	Code	Parts Table	Pos.	Q.ty	Code	Parts Table	Pos.	Q.ty
58172914	M.02.01_1_21578	12	1	58173164	F.01.01_1_21091	1	1	58173603	F.01.01_1_21091	17	1
	M.02.02_1_21619	12	1	58173187	A.05.01_1_20132	3	1	58173617	A.01.02_1_19967	9	1
	N.02.01_0_21864	12	1		E.01.02_1_20987	16	1		A.01.04_0_20042	9	1
	N.03.01_0_21943	12	1	58173230	E.02.02_1_21030	21	1	58173642	L.03.01_1_21307	18.1	1
58172915	L.03.01_1_21307	14	1	58173248	D.05.01_1_20621	2	1		L.03.02_0_21373	18.1	1
	L.03.02_0_21373	14	1		D.19.01_1_20925	2	1		M.02.01_1_21578	18.1	1
	M.02.01_1_21578	14	1	58173337	L.03.01_1_21307	18	1		M.02.02_1_21619	18.1	1
	M.02.02_1_21619	14	1		L.03.02_0_21373	18	1		N.02.01_0_21864	18.2	1
	N.02.01_0_21864	14	1		M.02.01_1_21578	18	1		N.03.01_0_21943	18.2	1
	N.03.01_0_21943	14	1		M.02.02_1_21619	18	1	58173790	D.07.01_1_20675	14	1
58172916	N.02.01_0_21864	15.1	1		N.02.01_0_21864	18	1		D.08.01_2_75308	5	1
	N.02.02_0_21923	2.1	1		N.03.01_0_21943	18	1	58173792	D.07.01_1_20675	3	1
	N.03.01_0_21943	15.1	1	58173345	B.05.01_1_20315	16	1	58173797	D.08.01_2_75308	18	1
58172978	E.03.01_0_21069	3	1	58173361	L.05.01_0_21453	1.4	1	58173865	E.03.01_0_21069	11	1
58172979	E.03.01_0_21069	4	1		L.06.01_0_21487	1.4	1	58173866	E.03.01_0_21069	2	1
58172980	E.03.01_0_21069	5	1		M.03.01_1_21663	2	1	58174093	A.03.01_1_20096	2	1
58172982	E.03.01_0_21069	9	1		M.03.02_1_21720	2	1	58174192	D.09.01_2_75346	1	1
58172996	A.04.01_1_20114	1	1	58173437	B.06.03_1_20374	4	1	58174367	W.04.01_0_22155	1	1
58172999	A.04.01_1_20114	1.5	1	58173442	A.01.02_1_19967	1.4	1	58174407	A.03.01_1_20096	1/2	1
58173053	L.03.01_1_21307	37/2	1		A.01.04_0_20042	1.4	1	58174408	A.03.01_1_20096	1/1	1
	L.03.02_0_21373	37/2	1	58173469	D.04.01_1_20595	3	1	58174508	D.04.01_1_20595	3.1	1
	M.02.01_1_21578	26/2	1	58173470	C.01.01_2_22204	30	0	58174509	D.04.01_1_20595	3.2	1
	M.02.02_1_21619	26/2	1	58173471	C.01.01_2_22204	31	0	58174697	L.03.01_1_21307	15	1
	N.02.01_0_21864	36/2	1	58173483	D.04.01_1_20595	11	1		L.03.02_0_21373	15	1
	N.03.01_0_21943	36/2	1	58173539	L.03.01_1_21307	46	1		M.02.01_1_21578	15	1
58173108	B.05.01_1_20315	15/1	1		M.02.01_1_21578	35	1		M.02.02_1_21619	15	1
58173117	E.03.01_0_21069	5.1	1		N.02.01_0_21864	48	1		N.02.01_0_21864	15	1
58173118	E.03.01_0_21069	4.1	1		N.03.01_0_21943	48	1		N.02.02_0_21923	2	1
58173119	E.03.01_0_21069	5.2	1	58173543	L.03.01_1_21307	37/1	1		N.03.01_0_21943	15	1
58173122	E.03.01_0_21069	5.3	1		L.03.02_0_21373	37/1	1	58174698	L.05.01_0_21453	1	1
58173123	E.03.01_0_21069	4.2	1		M.02.01_1_21578	26/1	1		L.06.01_0_21487	1	1
58173143	N.02.01_0_21864	40	1		M.02.02_1_21619	26/1	1	58174699	L.03.01_1_21307	22	1
	N.03.01_0_21943	40	1		N.02.01_0_21864	36/1	1		L.03.02_0_21373	22	1
58173144	E.03.01_0_21069	1	1		N.03.01_0_21943	36/1	1	58174700	L.03.01_1_21307	22.1	1

SPARE PARTS INSTANCE INDEX

Code	Parts Table	Pos.	Q.ty	Code	Parts Table	Pos.	Q.ty	Code	Parts Table	Pos.	Q.ty
58174700	L.03.02_0_21373	22.1	1	58176980	D.04.01_1_20595	6	1	58190533	Z.01.01_0_22239	19	1
	L.05.01_0_21453	1.1	1	58190500	Z.01.01_0_22239	29	1	58190534	Z.01.01_0_22239	20	1
	L.05.01_0_21453	2	1	58190501	Z.01.01_0_22239	35	1	58190535	Z.01.01_0_22239	21	1
	L.06.01_0_21487	1.1	1	58190502	Z.01.01_0_22239	23	1	58190536	Z.01.01_0_22239	22	1
	L.06.01_0_21487	2	1	58190503	Z.02.01_0_22294	13	1	58190537	Z.01.01_0_22239	24	1
	M.03.01_1_21663	1	1	58190504	Z.02.01_0_22294	1	1	58190538	Z.01.01_0_22239	25	1
	M.03.02_1_21720	1	1	58190505	Z.02.01_0_22294	3	1	58190539	Z.01.01_0_22239	26	1
	N.02.01_0_21864	22	1	58190506	Z.02.01_0_22294	7	1	58190540	Z.01.01_0_22239	27	1
	N.03.01_0_21943	22	1	58190507	Z.02.01_0_22294	39	1	58190541	Z.01.01_0_22239	28	1
	N.04.01_0_22004	1	1	58190508	Z.02.01_0_22294	41	1	58190542	Z.01.01_0_22239	30	1
58175053	A.03.01_1_20096	1.2	1	58190509	Z.02.01_0_22294	22	1	58190543	Z.01.01_0_22239	31	1
58175054	A.03.01_1_20096	1.1	1	58190510	Z.02.01_0_22294	23	1	58190544	Z.01.01_0_22239	32	1
58175070	W.02.01_0_22113	6.1	1	58190511	Z.02.01_0_22294	14	1	58190545	Z.01.01_0_22239	33	1
58175187	M.03.01_1_21663	34	1	58190512	Z.02.01_0_22294	15	1	58190546	Z.01.01_0_22239	34	1
	M.03.02_1_21720	36	1	58190513	Z.02.01_0_22294	38	1	58190547	Z.01.01_0_22239	36	1
58175188	M.03.01_1_21663	36	1	58190514	Z.02.01_0_22294	11	1	58190548	Z.01.01_0_22239	37	1
	M.03.02_1_21720	38	1	58190515	Z.01.01_0_22239	1	1	58190549	Z.01.01_0_22239	38	1
58175196	M.03.01_1_21663	39	1	58190516	Z.01.01_0_22239	2	1	58190550	Z.01.01_0_22239	39	1
	M.03.02_1_21720	44	1	58190517	Z.01.01_0_22239	3	1	58190551	Z.01.01_0_22239	40	1
58175211	M.03.01_1_21663	35	1	58190518	Z.01.01_0_22239	4	1	58190552	Z.01.01_0_22239	41	1
	M.03.02_1_21720	37	1	58190519	Z.01.01_0_22239	5	1	58190553	Z.01.01_0_22239	42	1
58175472	M.03.01_1_21663	30	1	58190520	Z.01.01_0_22239	6	1	58190554	Z.01.01_0_22239	B	1
	M.03.02_1_21720	33	1	58190521	Z.01.01_0_22239	7	1	58190555	Z.01.01_0_22239	44	1
58175731	W.03.01_0_22136	6.1	1	58190522	Z.01.01_0_22239	8	1	58190556	Z.01.01_0_22239	45	1
58175910	W.04.01_0_22155	6	1	58190523	Z.01.01_0_22239	9	1	58190557	Z.01.01_0_22239	46	1
58175937	D.08.01_2_75308	10	1	58190524	Z.01.01_0_22239	10	1	58190558	Z.01.01_0_22239	47	1
58175939	D.06.01_2_75280	9	1	58190525	Z.01.01_0_22239	11	1	58190559	Z.01.01_0_22239	48	1
58175950	B.05.01_1_20315	15/2	1	58190526	Z.01.01_0_22239	12	1	58190560	Z.01.01_0_22239	49	1
58175981	A.01.02_1_19967	16.1	1	58190527	Z.01.01_0_22239	13	1	58190561	Z.01.01_0_22239	50	1
	A.01.04_0_20042	16	1	58190528	Z.01.01_0_22239	14	1	58190562	Z.01.01_0_22239	A	1
58175982	A.01.02_1_19967	16.2	1	58190529	Z.01.01_0_22239	15	1	58190563	Z.01.01_0_22239	B	1
	A.01.04_0_20042	1.8	1	58190530	Z.01.01_0_22239	16	1	58190564	Z.01.01_0_22239	C	1
58176080	D.16.01_1_20885	11	1	58190531	Z.01.01_0_22239	17	1	58190565	Z.02.01_0_22294	2	1
58176294	T.01.01_0_22023	17	1	58190532	Z.01.01_0_22239	18	1	58190566	Z.02.01_0_22294	4	1

SPARE PARTS INSTANCE INDEX

Code	Parts Table	Pos.	Q.ty	Code	Parts Table	Pos.	Q.ty	Code	Parts Table	Pos.	Q.ty
58190567	Z.02.01_0_22294	5	1	58190601	Z.03.01_0_22336	7	1	59071743	B.07.01_1_20387	2	1
58190568	Z.02.01_0_22294	6	1	58190602	Z.03.01_0_22336	8	1	59071745	B.07.01_1_20387	5	1
58190569	Z.02.01_0_22294	8	1	58190603	Z.03.01_0_22336	9	1	59071771	L.01.02_0_21134	14	1
58190570	Z.02.01_0_22294	9	1	58190604	Z.03.01_0_22336	10	1		N.01.01_0_21778	7	1
58190571	Z.02.01_0_22294	10	1	58190605	Z.03.01_0_22336	11	1		N.01.02_0_21821	7	1
58190572	Z.02.01_0_22294	12	1	58190606	Z.03.01_0_22336	12	1	59071783	L.01.02_0_21134	13	1
58190573	Z.02.01_0_22294	16	1	58190607	Z.03.01_0_22336	13	1		M.01.01_1_21524	13	1
58190574	Z.02.01_0_22294	17	1	58190608	Z.03.01_0_22336	14	1		N.01.02_0_21821	5	1
58190575	Z.02.01_0_22294	18	1	58190609	Z.04.01_0_22351	1	1		N.02.02_0_21923	12	1
58190576	Z.02.01_0_22294	19	1	58190610	Z.04.01_0_22351	2	1	59071786	L.01.02_0_21134	19	1
58190577	Z.02.01_0_22294	20	1	58190611	Z.04.01_0_22351	3	1		M.01.01_1_21524	19	1
58190578	Z.02.01_0_22294	21	1	58190612	Z.04.01_0_22351	4	1		N.01.01_0_21778	12	1
58190579	Z.01.01_0_22239	D	1	58190613	Z.04.01_0_22351	5	1		N.01.02_0_21821	12	1
58190580	Z.02.01_0_22294	24	1	58190614	Z.04.01_0_22351	6	1		N.02.02_0_21923	15	1
58190581	Z.02.01_0_22294	25	1	58190615	Z.04.01_0_22351	7	1	59071808	D.12.01_1_20808	1	1
58190582	Z.02.01_0_22294	26	1	58190616	Z.04.01_0_22351	8	1	59071809	D.12.01_1_20808	2	1
58190583	Z.02.01_0_22294	27	1	58190617	Z.04.01_0_22351	9	1	59071926	B.02.01_1_20176	22	1
58190584	Z.02.01_0_22294	28	1	58190618	Z.04.01_0_22351	10	1	59071927	B.02.01_1_20176	23	1
58190585	Z.02.01_0_22294	29	1	58190619	Z.04.01_0_22351	11	1	59071937	B.02.01_1_20176	26	1
58190586	Z.02.01_0_22294	30	1	58190620	Z.04.01_0_22351	12	1	59072057	L.03.01_1_21307	25	1
58190587	Z.02.01_0_22294	31	1	58190621	Z.04.01_0_22351	13	1		L.03.02_0_21373	25	1
58190588	Z.02.01_0_22294	32	1	58190622	Z.04.01_0_22351	14	1		L.05.01_0_21453	4	1
58190589	Z.02.01_0_22294	33	1	58190623	Z.04.01_0_22351	15	1		L.06.01_0_21487	4	1
58190590	Z.02.01_0_22294	34	1	58190624	Z.04.01_0_22351	16	1		M.03.01_1_21663	3	1
58190591	Z.02.01_0_22294	35	1	58190625	Z.04.01_0_22351	17	1		M.03.02_1_21720	3	1
58190592	Z.02.01_0_22294	36	1	58190626	Z.04.01_0_22351	18	1		N.02.01_0_21864	23	1
58190593	Z.02.01_0_22294	37	1	58190627	Z.04.01_0_22351	19	1		N.03.01_0_21943	23	1
58190594	Z.02.01_0_22294	40	1	58190628	Z.04.01_0_22351	20	1		N.04.01_0_22004	3	1
58190595	Z.03.01_0_22336	1	1	58190629	Z.04.01_0_22351	21	1	59072076	D.15.01_1_20855	15	1
58190596	Z.03.01_0_22336	2	1	59070448	T.01.01_0_22023	20	1	59072114	B.03.01_1_20251	15	1
58190597	Z.03.01_0_22336	3	1	59070591	B.03.01_1_20251	14	1	59072754	D.14.01_1_20843	1	1
58190598	Z.03.01_0_22336	4	1	59070592	B.02.01_1_20176	29	1	59072761	D.14.01_1_20843	4	1
58190599	Z.03.01_0_22336	5	1		B.02.01_2_20209	38	1	59072786	L.05.01_0_21453	10	1
58190600	Z.03.01_0_22336	6	1	59071518	D.10.01_1_20762	9	1	59072787	L.05.01_0_21453	13	1

SPARE PARTS INSTANCE INDEX

Code	Parts Table	Pos.	Q.ty	Code	Parts Table	Pos.	Q.ty	Code	Parts Table	Pos.	Q.ty
59072787	L.06.01_0_21487	13	1	59073340	L.03.02_0_21373	36	1	59075077	D.13.01_1_20823	15	1
	M.03.01_1_21663	9	1		M.02.01_1_21578	24	1	59075081	B.02.01_2_20209	29	1
	M.03.02_1_21720	9	1		M.02.02_1_21619	24	1	59075244	A.01.02_1_19967	2	1
	N.04.01_0_22004	12	1		N.02.01_0_21864	35	1		A.01.04_0_20042	2	1
59072829	N.01.01_0_21778	6	1		N.03.01_0_21943	35	1	59075283	B.01.01_1_20151	19	1
	N.01.02_0_21821	6	1	59073373	T.04.02_0_22073	7	1	59075386	L.03.01_1_21307	30	1
59072940	B.03.01_1_20251	26	1	59073374	T.04.02_0_22073	9	1	59075400	D.03.02_1_20559	20/2	1
59072945	B.03.01_1_20251	25	1	59073607	D.03.01_1_20524	20/2	1	59075408	D.03.02_1_20559	24	1
59073021	N.04.01_0_22004	9	1	59073619	B.02.01_1_20176	6	1	59075410	D.03.02_1_20559	20/1	1
59073045	T.01.01_0_22023	4	1		B.02.01_2_20209	6	1	59075443	D.19.01_1_20925	19	1
59073060	E.03.01_0_21069	7	1	59073620	B.02.01_1_20176	5	1	59075453	L.03.01_1_21307	45	1
59073098	B.01.01_1_20151	3	1		B.02.01_2_20209	5	1		N.02.01_0_21864	47	1
59073151	T.04.02_0_22073	8	1	59073623	D.19.01_1_20925	3	1		N.03.01_0_21943	47	1
59073160	L.03.01_1_21307	53	1	59073624	D.05.01_1_20621	1	1	59075467	M.01.01_1_21524	21	1
	L.03.02_0_21373	52	1	59073625	B.02.01_1_20176	2	1	59075474	M.03.01_1_21663	26/2	1
	N.02.01_0_21864	49	1		B.02.01_2_20209	2	1	59075475	M.03.01_1_21663	26/1	1
	N.03.01_0_21943	49	1	59073626	B.02.01_1_20176	1	1	59075476	M.01.01_1_21524	29	1
59073255	D.19.01_1_20925	6	1		B.02.01_2_20209	1	1	59075482	M.03.01_1_21663	32	1
59073279	D.05.01_1_20621	5	1	59073630	D.03.01_1_20524	28	1	59075512	M.01.01_1_21524	14	1
59073291	A.02.01_1_20083	8	1		D.03.02_1_20559	30	1	59075528	M.02.01_1_21578	36	1
59073304	D.05.01_1_20621	22/1	1	59073814	B.02.01_1_20176	17	1	59075530	M.03.01_1_21663	27	1
59073305	D.05.01_1_20621	10	1		B.02.01_2_20209	17	1		M.03.02_1_21720	30	1
59073309	D.04.01_1_20595	14	1	59074118	D.17.01_1_20897	11	1	59075546	D.05.01_1_20621	22/2	1
59073316	D.04.01_1_20595	15	1	59074142	B.03.01_1_20251	2	1	59075593	L.06.01_0_21487	10	1
59073325	D.03.01_1_20524	20/1	1	59074143	B.03.01_1_20251	3	1	59075594	M.03.02_1_21720	29/2	1
59073326	A.05.01_1_20132	5	1	59074144	B.03.01_1_20251	1	1	59075595	M.03.02_1_21720	29/1	1
59073327	A.05.01_1_20132	11	1	59074150	T.04.01_0_22065	2	1	59075596	M.02.02_1_21619	37	1
59073339	L.03.01_1_21307	34	1	59074151	T.04.01_0_22065	3	1	59075619	D.19.01_1_20925	1	1
	L.03.02_0_21373	34	1	59074248	B.02.01_2_20209	20	1	59075624	D.03.01_1_20524	20/3	1
	M.02.01_1_21578	22	1	59074285V	B.02.01_2_20209	21	1	59075936	D.06.01_2_75280	22	1
	M.02.02_1_21619	22	1	59074286V	B.02.01_2_20209	22	1	59075955	A.01.02_1_19967	16.4	1
	N.02.01_0_21864	33	1	59074391	B.02.01_2_20209	37	1		A.01.04_0_20042	17	1
	N.03.01_0_21943	33	1	59074664	N.02.01_0_21864	53	1	59076044	D.17.01_1_20897	9	1
59073340	L.03.01_1_21307	36	1		N.03.01_0_21943	53	1	59076051	F.01.01_1_21091	2	1



SPARE PARTS INSTANCE INDEX

Code	Parts Table	Pos.	Q.ty	Code	Parts Table	Pos.	Q.ty	Code	Parts Table	Pos.	Q.ty
59076160	M.01.01_1_21524	27	1	59900174	B.06.01_1_20345	7	1	59900361	W.02.01_0_22113	9.2	1
59271729	W.01.01_0_22083	11	1	59900175	B.06.01_1_20345	8	1	59900371	W.01.01_0_22083	1.2	1
	W.02.01_0_22113	9	1	59900180	L.01.02_0_21134	16.2	1		W.02.01_0_22113	1.2	1
59271732	W.01.01_0_22083	6	1		N.01.01_0_21778	9.2	1		W.03.01_0_22136	1.2	1
59271888	W.01.01_0_22083	14	1		N.01.02_0_21821	9.2	1	59900372	W.02.01_0_22113	6.2	1
59273878	D.11.01_1_20782	9/1	1		N.02.02_0_21923	9.2	1	59900539	W.03.01_0_22136	6.2	1
59273944	D.11.01_1_20782	9/2	1	59900181	L.01.02_0_21134	16.1	1	59907000	Y.01.01_0_46844	1	1
59275015	W.02.01_0_22113	6	1		N.01.01_0_21778	9.1	1	59907001	Y.01.01_0_46844	2	1
59275732	W.03.01_0_22136	6	1		N.01.02_0_21821	9.1	1	59907002	Y.01.01_0_46844	3	1
59276276	C.02.01_1_20434	1	1		N.02.02_0_21923	9.1	1	59907003	Y.01.01_0_46844	4	1
59373532	D.01.01_2_22170	1	0	59900183	B.06.03_1_20374	5	1	59907004	Y.01.01_0_46844	5	1
59373782	D.10.01_1_20762	1	1	59900184	B.06.03_1_20374	6	1	59907005	Y.01.01_0_46844	6	2
59374149	T.04.01_0_22065	1	1	59900185	B.06.03_1_20374	7	1	59907006	Y.01.01_0_46844	7	2
59900152	B.06.02_1_20361	12	1	59900186	B.06.03_1_20374	8	1	59907007	Y.01.01_0_46844	8	1
59900153	B.06.02_1_20361	7	1	59900187	B.06.03_1_20374	9	1	59907008	Y.01.01_0_46844	9	1
59900154	B.06.02_1_20361	6	1	59900192	A.01.02_1_19967	1.1	1	59907009	Y.01.01_0_46844	10	2
59900155	B.06.02_1_20361	5	1		A.01.04_0_20042	1.1	1	59907010	Y.01.01_0_46844	11	1
59900156	B.06.02_1_20361	4	1	59900193	A.01.02_1_19967	1.2	1	59907011	Y.01.01_0_46844	12	1
59900157	B.06.02_1_20361	9	1		A.01.04_0_20042	1.2	1	59907012	Y.01.01_0_46844	13	4
59900158	B.06.02_1_20361	8	1	59900194	A.01.02_1_19967	1.3	1	59907013	Y.01.01_0_46844	14	1
59900159	B.06.02_1_20361	3	1		A.01.04_0_20042	1.3	1	59907014	Y.01.01_0_46844	15	1
59900160	B.06.02_1_20361	10	1	59900199	B.06.03_1_20374	1	1	59907015	Y.01.01_0_46844	16	1
59900161	B.06.02_1_20361	11	1	59900217	A.04.01_1_20114	1.4	1	59907016	Y.01.01_0_46844	17	1
59900162	B.06.02_1_20361	2	1	59900218	A.04.01_1_20114	1.1	1	59907017	Y.01.01_0_46844	18	1
59900163	B.06.01_1_20345	9	1	59900219	A.04.01_1_20114	1.3	1	59907018	Y.01.01_0_46844	18.1	1
59900165	B.06.01_1_20345	15	1	59900220	A.04.01_1_20114	1.2	1	59907019	Y.01.01_0_46844	19	1
59900166	B.06.01_1_20345	14	1	59900222	A.01.02_1_19967	1.6	1	59907020	Y.01.01_0_46844	20	2
59900167	B.06.01_1_20345	12	1		A.01.04_0_20042	1.6	1	59907021	Y.01.01_0_46844	21	1
59900168	B.06.01_1_20345	10	1	59900243	F.01.01_1_21091	17.1	1	59907022	Y.01.01_0_46844	22	1
59900169	B.06.01_1_20345	11	1	59900287	B.01.01_1_20151	1/1	1	59907023	Y.01.01_0_46844	23	1
59900170	B.06.01_1_20345	13	1	59900288	B.01.01_1_20151	1/2	1	59907024	Y.01.01_0_46844	24	10
59900171	B.06.01_1_20345	2	1	59900361	W.01.01_0_22083	6.2	1		Y.04.01_0_46943	25	4
59900172	B.06.01_1_20345	5	1		W.01.01_0_22083	11.2	1	59907025	Y.01.01_0_46844	25	1
59900173	B.06.01_1_20345	6	1		W.01.01_0_22083	14.2	1	59907026	Y.01.01_0_46844	26	1

SPARE PARTS INSTANCE INDEX

Code	Parts Table	Pos.	Q.ty	Code	Parts Table	Pos.	Q.ty	Code	Parts Table	Pos.	Q.ty
59907027	Y.01.01_0_46844	27	11	59907048	Y.02.01_0_46882	11	1	59907073	Y.03.01_0_46904	17	1
59907028	Y.01.01_0_46844	28	1	59907049	Y.02.01_0_46882	12	1	59907074	Y.03.01_0_46904	18	1
59907029	Y.01.01_0_46844	29	1	59907050	Y.02.01_0_46882	12.1	1	59907075	Y.03.01_0_46904	19	1
59907030	Y.01.01_0_46844	30	1		Y.07.01_0_46999	37.1	1	59907076	Y.03.01_0_46904	20	1
59907031	Y.01.01_0_46844	31	1	59907051	Y.02.01_0_46882	13	2	59907077	Y.03.01_0_46904	21	2
59907032	Y.01.01_0_46844	32	1		Y.07.01_0_46999	13	1	59907078	Y.03.01_0_46904	22	2
59907033	Y.01.01_0_46844	33	1	59907052	Y.02.01_0_46882	13.1	2	59907079	Y.03.01_0_46904	23	2
59907034	Y.01.01_0_46844	34	1		Y.07.01_0_46999	14	1	59907080	Y.03.01_0_46904	24	2
59907035	Y.01.01_0_46844	35	1	59907053	Y.02.01_0_46882	21	1	59907081	Y.03.01_0_46904	25	2
59907036	Y.01.01_0_46844	36	1	59907054	Y.02.01_0_46882	22	1	59907082	Y.03.01_0_46904	26	8
59907037	Y.02.01_0_46882	1	1	59907055	Y.02.01_0_46882	23	2	59907083	Y.03.01_0_46904	29	8
59907038	Y.02.01_0_46882	1.1	1	59907056	Y.02.01_0_46882	24	1		Y.05.01_0_46961	15	1
59907039	Y.02.01_0_46882	2	2		Y.03.01_0_46904	7	1	59907084	Y.03.01_0_46904	30	1
	Y.04.01_0_46943	4	2		Y.03.01_0_46904	34	1	59907085	Y.03.01_0_46904	31	1
59907040	Y.02.01_0_46882	3	2		Y.04.01_0_46943	3	1	59907086	Y.03.01_0_46904	32	1
	Y.04.01_0_46943	5	2		Y.04.01_0_46943	23	1	59907087	Y.03.01_0_46904	33	1
	Y.08.01_0_47043	6	1	59907057	Y.02.01_0_46882	25	4	59907088	Y.03.01_0_46904	35	4
59907041	Y.02.01_0_46882	4	2		Y.03.01_0_46904	36	4	59907089	Y.03.01_0_46904	37	4
	Y.03.01_0_46904	27	8		Y.04.01_0_46943	24	4	59907090	Y.03.01_0_46904	38	4
	Y.04.01_0_46943	7	2	59907058	Y.03.01_0_46904	1	1	59907091	Y.04.01_0_46943	1	1
	Y.05.01_0_46961	13	1	59907059	Y.03.01_0_46904	2	1	59907092	Y.04.01_0_46943	2	1
59907042	Y.02.01_0_46882	5	2	59907060	Y.03.01_0_46904	3	1	59907093	Y.04.01_0_46943	9	2
	Y.03.01_0_46904	28	8	59907061	Y.03.01_0_46904	4	1	59907094	Y.04.01_0_46943	21	1
	Y.04.01_0_46943	6	2	59907062	Y.03.01_0_46904	5	1	59907095	Y.04.01_0_46943	22	1
	Y.05.01_0_46961	14	1	59907063	Y.03.01_0_46904	6	1	59907096	Y.05.01_0_46961	1	1
59907043	Y.02.01_0_46882	6	1	59907064	Y.03.01_0_46904	8	1	59907097	Y.05.01_0_46961	2	1
	Y.04.01_0_46943	12	1	59907065	Y.03.01_0_46904	9	1	59907098	Y.05.01_0_46961	3	1
59907044	Y.02.01_0_46882	7	1	59907066	Y.03.01_0_46904	10	1	59907099	Y.05.01_0_46961	4	1
	Y.04.01_0_46943	8	1	59907067	Y.03.01_0_46904	11	1	59907100	Y.05.01_0_46961	5	1
59907045	Y.02.01_0_46882	8	2	59907068	Y.03.01_0_46904	12	8	59907101	Y.05.01_0_46961	6	1
	Y.04.01_0_46943	10	2	59907069	Y.03.01_0_46904	13	2	59907102	Y.05.01_0_46961	7	2
59907046	Y.02.01_0_46882	9	2	59907070	Y.03.01_0_46904	14	2	59907103	Y.05.01_0_46961	8	2
	Y.04.01_0_46943	11	2	59907071	Y.03.01_0_46904	15	1	59907104	Y.05.01_0_46961	9	2
59907047	Y.02.01_0_46882	10	1	59907072	Y.03.01_0_46904	16	1	59907105	Y.05.01_0_46961	10	1

SPARE PARTS INSTANCE INDEX

Code	Parts Table	Pos.	Q.ty	Code	Parts Table	Pos.	Q.ty	Code	Parts Table	Pos.	Q.ty
59907106	Y.05.01_0_46961	11	1	59907150	Y.07.01_0_46999	8	1	59907181	Y.08.01_0_47043	2	1
59907107	Y.05.01_0_46961	12	1	59907151	Y.07.01_0_46999	9	2	59907182	Y.08.01_0_47043	3	2
59907108	Y.05.01_0_46961	16	1	59907152	Y.07.01_0_46999	10	1	59907183	Y.08.01_0_47043	4	1
	Y.07.01_0_46999	15	1	59907153	Y.07.01_0_46999	11	1	59907184	Y.08.01_0_47043	5	1
	Y.08.01_0_47043	7	2	59907154	Y.07.01_0_46999	12	1	59907185	Y.08.01_0_47043	6.1	1
59907109	Y.05.01_0_46961	17	1	59907155	Y.07.01_0_46999	16	1	59907186	Y.08.01_0_47043	9.1	1
59907110	Y.05.01_0_46961	18	1		Y.08.01_0_47043	8	2	59907187	Y.08.01_0_47043	10	1
59907111	Y.05.01_0_46961	19	3	59907156	Y.07.01_0_46999	17	1	59907188	Y.08.01_0_47043	11	4
59907112	Y.05.01_0_46961	20	3	59907157	Y.07.01_0_46999	18/1	2	59907189	Y.08.01_0_47043	12	4
	Y.08.01_0_47043	24	5	59907158	Y.07.01_0_46999	18/2	1	59907190	Y.08.01_0_47043	13	4
59907113	Y.05.01_0_46961	21	1	59907159	Y.07.01_0_46999	18/3	1	59907191	Y.08.01_0_47043	21	1
59907114	Y.05.01_0_46961	21.1	1		Y.08.01_0_47043	9	2	59907192	Y.08.01_0_47043	22	1
59907115	Y.06.01_0_46984	1	1	59907160	Y.07.01_0_46999	19	1	59907193	Y.08.01_0_47043	23	1
59907116	Y.06.01_0_46984	2	1	59907161	Y.07.01_0_46999	20	1	59907194	Y.08.01_0_47043	25	1
59907117	Y.06.01_0_46984	3	1	59907162	Y.07.01_0_46999	21	4	59907195	Y.08.01_0_47043	26	1
59907118	Y.06.01_0_46984	4	1	59907163	Y.07.01_0_46999	22	1	59907196	Y.08.01_0_47043	27	1
59907119	Y.06.01_0_46984	5	1	59907164	Y.07.01_0_46999	23	1	59907197	Y.08.01_0_47043	27.1	1
59907133	Y.06.01_0_46984	11	1	59907165	Y.07.01_0_46999	24	1	59978034	N.02.02_0_21923	1	1
59907134	Y.06.01_0_46984	12	1	59907166	Y.07.01_0_46999	25	1	59978052	A.01.02_1_19967	16	1
59907135	Y.06.01_0_46984	13	1	59907167	Y.07.01_0_46999	26	1	59978053	B.02.01_1_20176	32	1
59907136	Y.06.01_0_46984	14	1	59907168	Y.07.01_0_46999	27	1	59978062	D.03.01_1_20524	15/1	1
59907137	Y.06.01_0_46984	15	1		Y.07.01_0_46999	28	1		D.03.02_1_20559	15/1	1
59907138	Y.06.01_0_46984	16	1	59907169	Y.07.01_0_46999	29	1	F0010001078	B.07.01_1_20387	1	1
59907139	Y.06.01_0_46984	17	10	59907170	Y.07.01_0_46999	30	1	F0150010905	W.01.01_0_22083	13	1
59907140	Y.06.01_0_46984	18	8	59907171	Y.07.01_0_46999	31	1		W.02.01_0_22113	8	1
59907141	Y.06.01_0_46984	19	8	59907172	Y.07.01_0_46999	32	1		W.04.01_0_22155	8	1
59907142	Y.07.01_0_46999	1	1	59907173	Y.07.01_0_46999	33	1	F0150023096	D.01.01_2_22170	4	0
59907143	Y.07.01_0_46999	1.1	1	59907174	Y.07.01_0_46999	34	1	F0150023129	D.02.01_1_20500	15	1
59907144	Y.07.01_0_46999	2	1	59907175	Y.07.01_0_46999	35	1	F0150023130	D.02.01_1_20500	13	1
59907145	Y.07.01_0_46999	3	1	59907176	Y.07.01_0_46999	36	1	F0150023162	C.01.01_2_22204	9	0
59907146	Y.07.01_0_46999	4	2	59907177	Y.07.01_0_46999	37	1	F0150023163	C.01.01_2_22204	10	0
59907147	Y.07.01_0_46999	5	2	59907178	Y.07.01_0_46999	37.2	1	F0150028193	L.06.01_0_21487	24	1
59907148	Y.07.01_0_46999	6	3	59907179	Y.07.01_0_46999	37.3	1		M.03.02_1_21720	21	1
59907149	Y.07.01_0_46999	7	1	59907180	Y.08.01_0_47043	1	1	F0150036216	B.06.03_1_20374	2	1

SPARE PARTS INSTANCE INDEX

Code	Parts Table	Pos.	Q.ty	Code	Parts Table	Pos.	Q.ty	Code	Parts Table	Pos.	Q.ty
F0150036219	B.06.03_1_20374	3	1	F0801241010	D.15.01_1_20855	19	1	F0802700150	D.11.01_1_20782	1	1
F0150036363	D.05.01_1_20621	19	1	F0801241025	D.03.01_1_20524	18	1	F0802800030	C.01.01_2_22204	12	1
F0150036364	D.05.01_1_20621	20	1		D.03.02_1_20559	18	1	F0803059000	D.17.01_1_20897	14	1
F0150051050	T.03.01_0_22054	4	1		D.06.01_2_75280	12	1	F0803067000	D.05.01_1_20621	15	1
F0150051145	T.03.01_0_22054	8	1	F0801264050	D.13.01_1_20823	7	1	F0803178000	D.12.01_1_20808	10	1
F0190031203	T.01.01_0_22023	27	1		D.15.01_1_20855	7	1	F0803186000	C.03.01_1_20449	10	1
F0190035152	E.02.02_1_21030	33	1		L.01.02_0_21134	15	1	F0803195000	D.01.01_2_22170	19	0
F0252929002	B.01.01_1_20151	21	1		M.01.01_1_21524	15	1	F0803210020	C.01.01_2_22204	24	0
F0256809010	B.05.01_1_20315	10	1		N.01.01_0_21778	8	1	F0804051000	D.05.01_1_20621	11	1
F0256809050	A.03.01_1_20096	13	1		N.01.02_0_21821	8	1		D.12.01_1_20808	9	1
F0490287042	D.01.01_2_22170	5	0	F0801266000	D.06.01_2_75280	16	4	F0806522000	D.19.01_1_20925	7	1
F0490289027	D.01.01_2_22170	6	0	F0801266050	D.06.01_2_75280	8	2	F0808060100	T.01.01_0_22023	28	1
F0490290064	D.01.01_2_22170	3	0	F0801280100	D.08.01_2_75308	9	1	F0808518050	B.04.01_1_20291	11	1
F0800056050	D.04.01_1_20595	20	1	F0801297000	L.04.01_0_21436	15	1	F0810510000	D.05.01_1_20621	9	1
F0801050000	M.01.01_1_21524	26	1		L.05.01_0_21453	27	1		D.18.01_1_20914	5	1
F0801095000	D.19.01_1_20925	25	1		L.06.01_0_21487	30	1		D.19.01_1_20925	12	1
F0801127050	L.03.01_1_21307	6	1		M.03.01_1_21663	24	1	F0810527000	D.12.01_1_20808	8	1
	L.03.02_0_21373	6	1		M.03.02_1_21720	27	1	F0812523050	D.04.01_1_20595	2	1
	M.02.01_1_21578	6	1	F0801331050	D.06.01_2_75280	21	1		L.03.01_1_21307	4	1
	M.02.02_1_21619	6	1	F0801342005	D.01.01_2_22170	22	0		L.03.02_0_21373	4	1
	N.02.01_0_21864	6	1	F0801346000	D.11.01_1_20782	6	1		M.02.01_1_21578	4	1
	N.03.01_0_21943	6	1	F0801346200	D.06.01_2_75280	14	1		M.02.02_1_21619	4	1
F0801149000	D.15.01_1_20855	20	1	F0801368000	D.15.01_1_20855	24	1		N.02.01_0_21864	4	1
F0801149010	D.15.01_1_20855	23	1	F0801368010	D.01.01_2_22170	12	0		N.03.01_0_21943	4	1
	L.01.02_0_21134	18	1	F0802100050	D.03.01_1_20524	10	1	F0812525100	D.13.01_1_20823	3	1
	M.01.01_1_21524	18	1		D.03.02_1_20559	10	1	F0812578050	D.04.01_1_20595	22	1
	N.01.01_0_21778	11	1		D.16.01_1_20885	9	1	F0812638075	D.15.01_1_20855	26	1
	N.01.02_0_21821	11	1	F0802124000	C.02.01_1_20434	10	1	F0812646000	D.15.01_1_20855	25	1
	N.02.02_0_21923	11	1	F0802186000	D.01.01_2_22170	23	0	F0812689000	D.07.01_1_20675	4	1
F0801156050	D.04.01_1_20595	21	1		D.02.01_1_20500	16	1		D.08.01_2_75308	14	1
F0801175050	D.10.01_1_20762	15	1	F0802190010	D.13.01_1_20823	11	1	F0812696000	D.03.02_1_20559	5	1
F0801241000	D.04.01_1_20595	17	1		D.15.01_1_20855	11	1	F0812704000	D.03.01_1_20524	5	1
F0801241010	D.02.01_1_20500	7	1	F0802205060	D.02.01_1_20500	9	1	F0812705000	D.01.01_2_22170	20	0
	D.06.01_2_75280	1	1		D.16.01_1_20885	3	1	F0812707000	D.03.01_1_20524	12	1

SPARE PARTS INSTANCE INDEX

Code	Parts Table	Pos.	Q.ty	Code	Parts Table	Pos.	Q.ty	Code	Parts Table	Pos.	Q.ty
F0812707000	D.03.02_1_20559	12	1	F0814574000	B.03.01_1_20251	23	1	F0824110000	L.03.02_0_21373	28	1
F0812709000	D.07.01_1_20675	2	1		B.03.01_1_20251	36	1		L.04.01_0_21436	7	1
F0812732080	D.08.01_2_75308	16	1		D.13.01_1_20823	13	1		L.05.01_0_21453	12	1
F0812736010	D.06.01_2_75280	17	2		D.15.01_1_20855	13	1		L.06.01_0_21487	12	1
F0812737000	D.06.01_2_75280	5	2	F0814627000	D.19.01_1_20925	29	1		M.02.01_1_21578	30	1
F0812745000	C.02.01_1_20434	11	1		N.01.01_0_21778	33	1		M.02.02_1_21619	30	1
F0812747000	D.02.01_1_20500	10	1		N.01.02_0_21821	33	1		M.03.01_1_21663	11	1
F0812750000	D.06.01_2_75280	2	1	F0814629010	B.01.01_1_20151	10	1		M.03.02_1_21720	11	1
F0812779000	D.13.01_1_20823	5	1	F0814632000	B.01.01_1_20151	5	1		N.02.01_0_21864	25	1
	D.15.01_1_20855	5	1	F0814642020	B.02.01_1_20176	31	1		N.02.02_0_21923	8	1
F0812797010	D.02.01_1_20500	19	1	F0814688010	L.03.01_1_21307	13	1		N.03.01_0_21943	25	1
F0812810100	D.08.01_2_75308	2	2		L.03.02_0_21373	13	1		N.04.01_0_22004	11	1
F0812849100	D.13.01_1_20823	8	1		M.02.01_1_21578	13	1	F0824141000	F.01.01_1_21091	12	1
	D.15.01_1_20855	8	1		M.02.02_1_21619	13	1		L.03.01_1_21307	44	1
F0812871030	D.08.01_2_75308	21	1		N.02.01_0_21864	13	1		L.03.02_0_21373	44	1
F0812871070	D.08.01_2_75308	8	1		N.03.01_0_21943	13	1		L.04.01_0_21436	13	1
F0812895000	D.10.01_1_20762	10	1	F0814689020	D.18.01_1_20914	10	1		L.05.01_0_21453	25	1
F0812918050	D.07.01_1_20675	6	1		D.19.01_1_20925	13	1		L.06.01_0_21487	28	1
	D.08.01_2_75308	13	1	F0814695000	C.03.01_1_20449	5	1		M.02.01_1_21578	34	1
F0812973000	D.11.01_1_20782	2	1		T.01.01_0_22023	26	1		M.02.02_1_21619	34	1
F0813000000	D.04.01_1_20595	8	1	F0814744050	E.02.02_1_21030	22	1		M.03.01_1_21663	22	1
F0814525000	A.01.02_1_19967	15	1	F0814785070	C.01.01_2_22204	32	0		M.03.01_1_21663	29	1
	A.01.04_0_20042	15	1	F0817505100	A.05.01_1_20132	15	1		M.03.02_1_21720	25	1
F0814529080	E.02.02_1_21030	27	1	F0817523010	L.03.01_1_21307	38	1		M.03.02_1_21720	32	1
F0814535050	D.05.01_1_20621	27	1		L.03.02_0_21373	38	1		N.02.01_0_21864	24	1
	D.12.01_1_20808	7	1		M.02.01_1_21578	25	1		N.02.02_0_21923	5	1
	N.01.01_0_21778	32	1		M.02.02_1_21619	25	1		N.03.01_0_21943	24	1
	N.01.02_0_21821	32	1		N.02.01_0_21864	37	1	F0824812000	A.01.02_1_19967	1.5	1
F0814569000	B.06.01_1_20345	3	1		N.03.01_0_21943	37	1		A.01.04_0_20042	1.5	1
	D.05.01_1_20621	25	1	F0817603100	A.04.01_1_20114	12	1	F0825115010	B.05.01_1_20315	23	1
	M.01.01_1_21524	24	1	F0817640003	D.09.01_2_75346	6	1	F0825117000	E.02.02_1_21030	19	1
F0814574000	A.01.04_0_20042	20	1	F0822537050	D.19.01_1_20925	4	1	F0825139000	E.02.02_1_21030	3	1
	B.02.01_1_20176	14	1	F0824110000	C.01.01_2_22204	16	0	F0825400060	B.05.01_1_20315	21	1
	B.02.01_2_20209	14	1		L.03.01_1_21307	28	1	F0825404050	E.01.02_1_20987	3	1

SPARE PARTS INSTANCE INDEX

Code	Parts Table	Pos.	Q.ty	Code	Parts Table	Pos.	Q.ty	Code	Parts Table	Pos.	Q.ty
F0825407010	E.02.02_1_21030	10	1	F0831146000	D.05.01_1_20621	16	1	F0837534010	L.03.01_1_21307	24	1
F0825414000	E.02.02_1_21030	28	1	F0831835000	D.02.01_1_20500	14	1		L.03.02_0_21373	24	1
F0825415050	A.03.01_1_20096	14	1	F0834378001	A.01.02_1_19967	1.7	1		L.04.01_0_21436	3	1
	E.01.02_1_20987	5	1		A.01.04_0_20042	1.7	1		L.05.01_0_21453	17	1
F0825416000	L.03.01_1_21307	42	1		E.01.02_1_20987	15	1		L.06.01_0_21487	17	1
	L.03.02_0_21373	42	1	F0835023000	L.03.01_1_21307	33	1		M.03.01_1_21663	15	1
	M.02.01_1_21578	32	1		L.04.01_0_21436	8	1		M.03.02_1_21720	15	1
	M.02.02_1_21619	32	1		L.05.01_0_21453	18	1		N.02.01_0_21864	30	1
	N.02.01_0_21864	43	1		L.06.01_0_21487	19	1		N.03.01_0_21943	30	1
	N.03.01_0_21943	43	1		M.03.01_1_21663	16	1		N.04.01_0_22004	15	1
F0825417000	E.01.02_1_20987	6	1		M.03.02_1_21720	16	1	F0837534060	D.17.01_1_20897	8	1
F0825420600	E.02.02_1_21030	26	1	F0835024010	L.03.01_1_21307	16	1	F0837554000	D.05.01_1_20621	21	1
F0825420660	E.02.02_1_21030	26.1	1		L.03.02_0_21373	16	1	F0838131000	D.13.01_1_20823	12	1
F0825438000	E.02.02_1_21030	30	1		M.02.01_1_21578	16	1		D.15.01_1_20855	12	1
F0825440100	E.02.02_1_21030	8	1		M.02.02_1_21619	16	1	F0838166018	D.13.01_1_20823	18	1
F0825440110	E.02.02_1_21030	9	1		N.02.01_0_21864	16	1		D.15.01_1_20855	18	1
F0825470050	E.01.02_1_20987	8	1		N.03.01_0_21943	16	1	F0838610000	T.01.01_0_22023	25	1
F0825488000	E.02.02_1_21030	20	1	F0835037000	L.03.01_1_21307	43	1	F0838660000	C.03.01_1_20449	4	1
F0825493000	E.02.02_1_21030	34	1		L.03.02_0_21373	43	1	F0840544000	L.03.01_1_21307	40	1
F0825500000	E.02.02_1_21030	6	1		M.02.01_1_21578	33	1		L.03.02_0_21373	40	1
F0825718010	N.02.01_0_21864	18.1	1		M.02.02_1_21619	33	1		M.02.01_1_21578	28	1
	N.03.01_0_21943	18.1	1		N.02.01_0_21864	41	1		M.02.02_1_21619	28	1
F0825980030	L.04.01_0_21436	14	1		N.02.02_0_21923	4	1		N.02.01_0_21864	31	1
	L.05.01_0_21453	26	1		N.03.01_0_21943	41	1		N.03.01_0_21943	31	1
	L.06.01_0_21487	29	1	F0835040000	F.01.01_1_21091	11	1	F0842505010	L.06.01_0_21487	18	1
	M.03.01_1_21663	23	1	F0835040020	L.04.01_0_21436	12	1		M.03.01_1_21663	47	1
	M.03.02_1_21720	26	1		L.05.01_0_21453	24	1		M.03.02_1_21720	17	1
F0826056000	C.01.01_2_22204	19	0		L.06.01_0_21487	27	1	F0842505030	L.03.02_0_21373	32	1
	L.01.02_0_21134	3	1		M.03.01_1_21663	21	1	F0842519050	L.03.01_1_21307	49	1
	M.01.01_1_21524	2	1		M.03.02_1_21720	24	1		L.03.02_0_21373	48	1
	N.01.01_0_21778	3	1	F0837521000	B.07.01_1_20387	9	1		M.03.01_1_21663	49	1
	N.01.02_0_21821	3	1	F0837534010	D.03.01_1_20524	30	1		M.03.02_1_21720	51	1
F0828029070	A.02.01_1_20083	1	1		D.03.02_1_20559	32	1	F0843107000	F.01.01_1_21091	15	1
F0831125000	A.02.01_1_20083	12	1		D.14.01_1_20843	6	1		L.03.01_1_21307	50	1

SPARE PARTS INSTANCE INDEX

Code	Parts Table	Pos.	Q.ty	Code	Parts Table	Pos.	Q.ty	Code	Parts Table	Pos.	Q.ty
F0843107000	L.03.02_0_21373	49	1	F0843570000	B.07.01_1_20387	11	1	F0843643060	L.04.01_0_21436	5	1
	L.04.01_0_21436	10	1		E.02.02_1_21030	13	1		L.05.01_0_21453	7	1
	L.05.01_0_21453	22	1		M.01.01_1_21524	35	1		L.06.01_0_21487	7	1
	L.06.01_0_21487	25	1		M.02.02_1_21619	39	1		M.02.01_1_21578	21	1
	M.03.01_1_21663	19	1		M.03.02_1_21720	43	1		M.02.02_1_21619	21	1
	M.03.01_1_21663	50	1		N.01.01_0_21778	35	1		M.03.01_1_21663	6	1
	M.03.02_1_21720	22	1		N.01.02_0_21821	35	1		M.03.02_1_21720	6	1
	M.03.02_1_21720	52	1	F0843578010	B.05.01_1_20315	12	1		N.02.01_0_21864	21	1
	N.02.01_0_21864	39	1	F0843605010	D.03.01_1_20524	22	1		N.03.01_0_21943	21	1
	N.02.02_0_21923	13	1		D.03.02_1_20559	22	1		N.04.01_0_22004	6	1
	N.03.01_0_21943	39	1	F0843643060	A.01.02_1_19967	6	1		T.01.01_0_22023	22	1
F0843109020	L.03.01_1_21307	29	1		A.01.04_0_20042	6	1	F0843696000	B.06.03_1_20374	12	1
	L.03.02_0_21373	29	1		A.02.01_1_20083	11	1	F0843754080	D.03.01_1_20524	27	1
	L.05.01_0_21453	11	1		A.03.01_1_20096	4	1		D.03.02_1_20559	29	1
	L.06.01_0_21487	11	1		A.05.01_1_20132	9	1		D.17.01_1_20897	3	1
	M.02.01_1_21578	29	1		B.02.01_1_20176	19	1	F0843755000	B.01.01_1_20151	11	1
	M.02.02_1_21619	29	1		B.02.01_2_20209	19	1		B.02.01_1_20176	8	1
	M.03.01_1_21663	10	1		B.03.01_1_20251	22	1		B.02.01_2_20209	8	1
	M.03.02_1_21720	10	1		B.03.01_1_20251	35	1		C.01.01_2_22204	28	0
	N.02.01_0_21864	44	1		D.03.01_1_20524	8	1		F.01.01_1_21091	5	1
	N.03.01_0_21943	44	1		D.03.02_1_20559	8	1		L.03.01_1_21307	9	1
	N.04.01_0_22004	10	1		D.04.01_1_20595	5	1		L.03.02_0_21373	9	1
F0843116000	L.03.02_0_21373	46	1		D.12.01_1_20808	4	1		M.02.01_1_21578	9	1
	M.02.02_1_21619	36	1		D.13.01_1_20823	19	1		M.02.02_1_21619	9	1
	M.03.01_1_21663	28	1		D.14.01_1_20843	2	1		N.02.01_0_21864	9	1
	M.03.02_1_21720	31	1		D.15.01_1_20855	3	1		N.03.01_0_21943	9	1
F0843526000	B.05.01_1_20315	18	1		D.19.01_1_20925	21	1	F0843771000	C.01.01_2_22204	8	0
F0843561000	A.01.02_1_19967	14	1		E.01.02_1_20987	14	1	F0843807000	T.03.01_0_22054	9	1
	A.01.04_0_20042	14	1		E.02.02_1_21030	18	1	F0843809020	D.05.01_1_20621	17	1
F0843570000	A.01.04_0_20042	31	1		F.01.01_1_21091	7	1	F0843818000	B.02.01_1_20176	10	1
	A.03.01_1_20096	7	1		L.03.01_1_21307	21	1		B.02.01_2_20209	10	1
	A.04.01_1_20114	10	1		L.03.01_1_21307	22.5	1	F0843843060	B.01.01_1_20151	17	1
	A.05.01_1_20132	7	1		L.03.02_0_21373	21	1		B.03.01_1_20251	17	1
	B.02.01_2_20209	34	1		L.03.02_0_21373	22.5	1		T.01.01_0_22023	9	1

SPARE PARTS INSTANCE INDEX

Code	Parts Table	Pos.	Q.ty	Code	Parts Table	Pos.	Q.ty	Code	Parts Table	Pos.	Q.ty
F0843843060	T.03.01_0_22054	3	1	F0847434000	D.14.01_1_20843	8	1	F0851180000	D.09.01_2_75346	30	1
F0843907000	F.01.01_1_21091	16	1		D.17.01_1_20897	7	1	F0851190000	D.17.01_1_20897	12	1
	L.03.01_1_21307	51	1	F0847462000	C.01.01_2_22204	11	0	F0851191000	D.03.01_1_20524	2	1
	L.03.02_0_21373	50	1	F0848530050	W.01.01_0_22083	2	1		D.03.02_1_20559	2	1
	L.04.01_0_21436	11	1		W.02.01_0_22113	2	1	F0851267050	D.12.01_1_20808	12	1
	L.05.01_0_21453	23	1	F0848625000	W.03.01_0_22136	2	1	F0851293000	D.04.01_1_20595	13	1
	L.06.01_0_21487	26	1	F0848655000	W.01.01_0_22083	7	1	F0851486000	T.01.01_0_22023	13	1
	M.03.01_1_21663	20	1	F0848655100	W.01.01_0_22083	12	1		T.03.01_0_22054	6	1
	M.03.01_1_21663	51	1		W.02.01_0_22113	10	1		T.04.02_0_22073	3	1
	M.03.02_1_21720	23	1	F0848672100	W.01.01_0_22083	15	1	F0851497000	B.01.01_1_20151	20	1
	M.03.02_1_21720	53	1	F0848676050	W.03.01_0_22136	7	1		T.01.01_0_22023	29	1
	N.02.01_0_21864	26	1	F0848679600	W.01.01_0_22083	17	1		T.04.02_0_22073	2	1
	N.02.02_0_21923	14	1	F0848681700	W.04.01_0_22155	7	1	F0852517000	C.01.01_2_22204	7	0
	N.03.01_0_21943	26	1	F0848681800	W.04.01_0_22155	2	1	F0852550010	L.04.01_0_21436	16	1
F0843993060	W.01.01_0_22083	19	1	F0848844000	W.01.01_0_22083	16	1		L.05.01_0_21453	28	1
	W.02.01_0_22113	14	1	F0848855000	W.01.01_0_22083	8	1		L.06.01_0_21487	31	1
	W.03.01_0_22136	12	1	F0848880000	W.03.01_0_22136	3	1		M.03.01_1_21663	25	1
	W.04.01_0_22155	12	1	F0848920000	W.03.01_0_22136	8	1		M.03.02_1_21720	28	1
F0844030000	C.01.01_2_22204	26	0	F0848941000	W.04.01_0_22155	3	1	F0852578050	C.01.01_2_22204	15	0
F0844126050	D.17.01_1_20897	4	1	F0849036020	W.01.01_0_22083	1.1	1	F0852578060	N.04.01_0_22004	17	1
F0844150000	W.01.01_0_22083	10	1		W.02.01_0_22113	1.1	1	F0852589000	L.03.01_1_21307	56	1
	W.02.01_0_22113	12	1		W.03.01_0_22136	1.1	1		L.03.02_0_21373	54	1
	W.03.01_0_22136	10	1	F0849037000	W.01.01_0_22083	1	1		M.03.01_1_21663	54	1
	W.04.01_0_22155	10	1		W.02.01_0_22113	1	1		M.03.02_1_21720	56	1
F0844273090	C.01.01_2_22204	14	0		W.03.01_0_22136	1	1		N.02.01_0_21864	52	1
	C.03.01_1_20449	2	1	F0849206005	A.03.01_1_20096	8	1		N.03.01_0_21943	52	1
	D.11.01_1_20782	15	1	F0849211010	B.01.01_1_20151	9	1	F0858520000	A.02.01_1_20083	4	1
F0844283020	T.01.01_0_22023	2	1	F0849500001	A.05.01_1_20132	1.1	1	F0859070030	B.01.01_1_20151	22	1
F0844374000	D.19.01_1_20925	8	1	F0849500002	A.05.01_1_20132	1.2	1	F0860058020	D.05.01_1_20621	23	1
F0844470030	D.02.01_1_20500	18	1	F0850100000	D.01.01_2_22170	13	0	F0860060000	D.05.01_1_20621	24	1
F0844525000	D.01.01_2_22170	21	0	F0850100005	D.01.01_2_22170	13	0	F0860091010	D.05.01_1_20621	6	1
F0847434000	D.03.01_1_20524	17	1	F0850100010	D.01.01_2_22170	13	0	F0860091050	D.19.01_1_20925	14	1
	D.03.02_1_20559	17	1	F0850100020	D.01.01_2_22170	13	0	F0861867001	E.01.02_1_20987	4	1
	D.09.01_2_75346	23	1	F0851127000	D.02.01_1_20500	21	1		E.02.02_1_21030	15	1

SPARE PARTS INSTANCE INDEX

Code	Parts Table	Pos.	Q.ty
F0861867050	A.05.01_1_20132	4	1
	E.01.02_1_20987	17	1
F0861929060	A.01.02_1_19967	13	1
	A.01.04_0_20042	13	1
	E.03.01_0_21069	8	1
	N.01.01_0_21778	20	1
	N.01.02_0_21821	20	1
F0861941000	E.02.02_1_21030	31	1
F0861973000	M.03.01_1_21663	38	1
F0862090000	D.11.01_1_20782	8	1
F0862443010	M.01.01_1_21524	45	1
	N.01.01_0_21778	15	1
	N.01.02_0_21821	15	1
F0862479030	B.02.01_2_20209	28	1
F0862479035	B.05.01_1_20315	11	1
F0862479040	B.01.01_1_20151	4	1
F0862481000	B.07.01_1_20387	10	1
F0862495010	B.06.03_1_20374	11	1
F0862601000	D.05.01_1_20621	12	1
F0862654000	D.01.01_2_22170	9	0
F0862655000	D.11.01_1_20782	13	1
F0862694000	C.02.01_1_20434	7	1
	D.09.01_2_75346	12	1
	F.01.01_1_21091	6	1
F0862944000	A.05.01_1_20132	10	1
F0863183000	D.09.01_2_75346	22	1
F0863267050	D.10.01_1_20762	2	1
F0863328000	C.02.01_1_20434	5	1
F0863358000	M.01.01_1_21524	7	1
	N.01.01_0_21778	36	1
	N.01.02_0_21821	36	1
F0863359000	C.02.01_1_20434	12	1
	L.03.01_1_21307	7	1
	L.03.02_0_21373	7	1

Code	Parts Table	Pos.	Q.ty
F0863359000	M.02.01_1_21578	7	1
	M.02.02_1_21619	7	1
	N.02.01_0_21864	7	1
	N.03.01_0_21943	7	1
F0863449000	L.03.01_1_21307	8	1
	L.03.02_0_21373	8	1
	M.02.01_1_21578	8	1
	M.02.02_1_21619	8	1
	N.02.01_0_21864	8	1
	N.03.01_0_21943	8	1
F0863951050	B.03.01_1_20251	4	1
F0864309100	B.03.01_1_20251	5	1
F0864314000	W.01.01_0_22083	18	1
	W.02.01_0_22113	13	1
	W.03.01_0_22136	11	1
	W.04.01_0_22155	11	1
F0864322100	M.01.01_1_21524	36	1
F0864346050	C.01.01_2_22204	25	0
F0864410500	W.01.01_0_22083	9	1
	W.02.01_0_22113	11	1
	W.03.01_0_22136	9	1
	W.04.01_0_22155	9	1
F0864441010	T.04.01_0_22065	7	1
F0865040000	B.05.01_1_20315	1	1
F0865040010	B.05.01_1_20315	2	1
F0865474000	B.05.01_1_20315	5	1
F0865474005	B.05.01_1_20315	5.1	1
F0865475000	B.05.01_1_20315	3	1
F0907170111	B.04.01_1_20291	21	1
P238103010000	B.05.01_1_20315	6	1
P238105000000	B.05.01_1_20315	7	1
P241171000000	L.03.01_1_21307	31	1
	L.03.02_0_21373	31	1
	N.02.01_0_21864	54	1

Code	Parts Table	Pos.	Q.ty
P241171000000	N.03.01_0_21943	54	1
P405339000000	A.03.01_1_20096	12	1
P453727000000	A.04.01_1_20114	3	1
P979179000000	A.05.01_1_20132	13	1